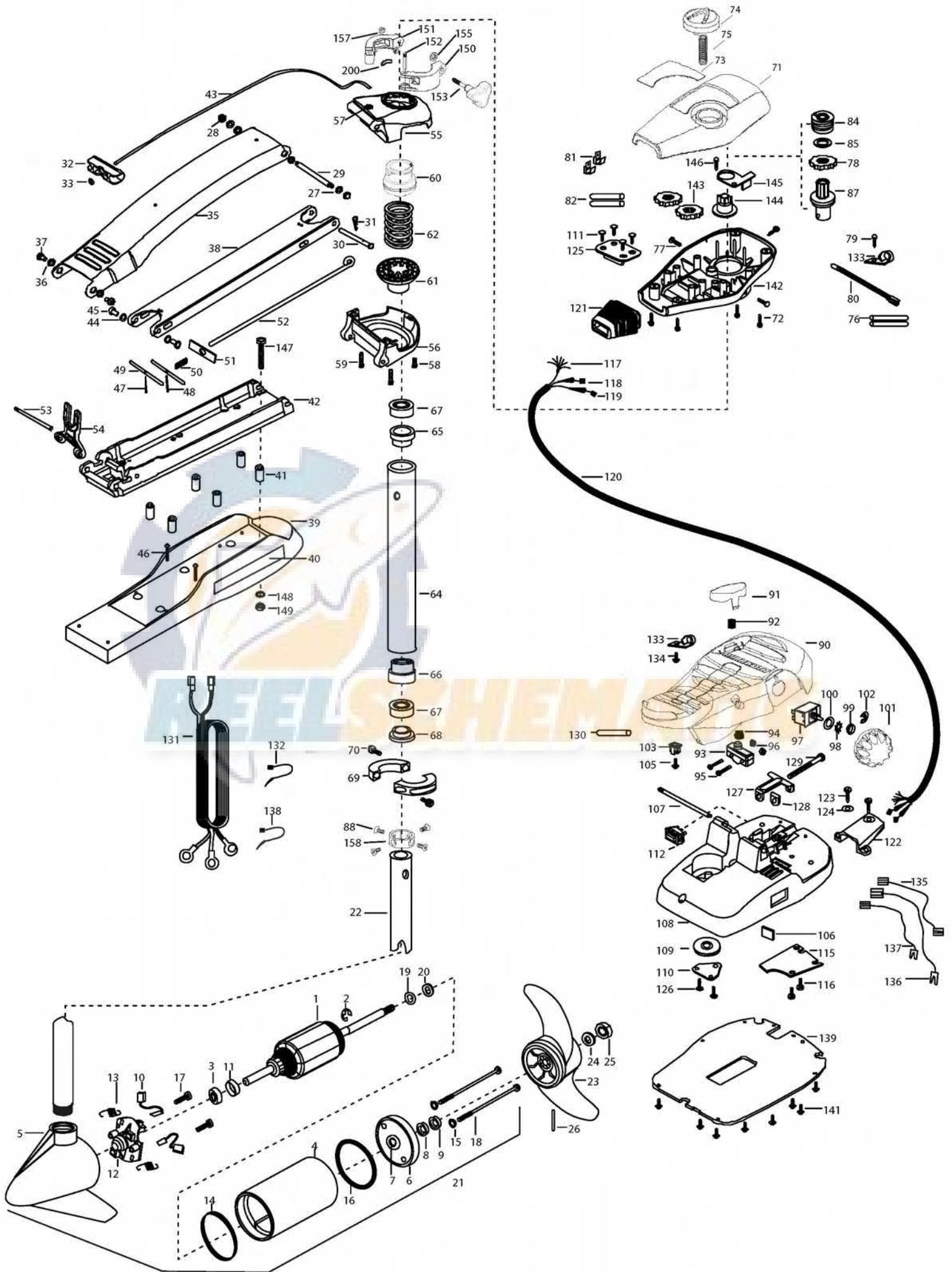


MAX55/SC -52
55 lbs Thrust
12 Volt 50 Amps
52" SHAFT

for use with "L" serial numbers

2-year warranty



In the U.S.A., replacement parts may be ordered directly from MINN KOTA Parts Dept., 121 Power Drive, P.O.Box 8129, Mankato, Minnesota 56002-8129. In Canada, parts may be ordered from any of the Canadian Authorized Service Centers shown on the enclosed list. Be sure to provide the MODEL and SERIAL numbers of your motor when ordering parts. Please use the correct part numbers from the parts list. Payment for any parts ordered from the MINN KOTA parts department, may be by cash, personal check, Discover Card, MasterCard or VISA. To order, call 1-800-227-6433 or FAX 1-800-527-4464.

Hors de États-Unis, voir la liste ci-jointe pour le Centre de Service Agréé MINN KOTA le plus proche. Lors d'une commande, ne pas oublier de fournir le numéro de modèle et le numéro de série du moteur. Toujours mentionner le numéro de pièce exact figurant sur la liste des pièces de rechange.

1	2-100-121	ARMATURE ASSEMBLY 12V 3.625 5SPC 55#	55	2772319	BRACKET BASE TOP/EYELET ASSEMBLY	116	2332103	SCREW-6-20 X 3/8 THD SS [2.EA]
2	788-015	RETAINING RING	56	2991771	BRKT BTTM/BEARING FW ASSEMBLY	117	2261208	WIRE HARNESS, A/T FT. PHD
3	140-010	BALL BEARING	57	2772352	EYELET KIT	118	2267505	CABLE ASSY-RIGHT (5')
4	2-200-101	CENTER HOUSING ASSEMBLY 3.625 FW TXT	58	2263423	SCREW 5/16-18 X 1" SHCS ZINC	119	2267515	CABLE ASSY-LEFT (5')
5	2-300-196	BRUSH END HOUSING ASSEMBLY 3.62 SPCO	59	2263425	SCREW 5/16-18 X 2 1/2" SHCS [2.EA]	120	2265430	CABLE JACKET (5')
6	2-400-101	PLAIN END HOUSING ASSEMBLY	60	2071541	SPRING-SLEEVE UPPER	121	2265110	BOOT-CONTROL BOX
7	144-049	BEARING - FLANGE (SERVICE ONLY)	61	2071535	SPRING SLEEVE, LOWER	122	2265115	BOOT-FOOT PEDAL BASE
8	880-003	SEAL	62	2262706	SPRING, BOWGUARD, NIK PL	123	2372100	SCREW-8-18 X 5/8 THD SS [2.EA]
9	880-006	SEAL WITH SHIELD	■	2772016	TUBE W/BEARING RACE ASSEMBLY	124	2261714	WASHER-MAXXUM FT PDL [2.EA]
10	188-036	BRUSH ASSEMBLY [2.EA]	64	2272067	TUBE OUTER-24" 4 HOLES	125	2261901	BRACKET-CONDUIT
11	725-050	BRUSH RETENTION- PAPER TUBE	65	2266260	BEARING RACE	126	2301310	SCREW-8-18 X 1/2 SS [2.EA]
12	738-036	BRUSH PLATE W/HOLDER	66	2266220	BEARING RACE-STEEL	127	2263210	BRACKET-CONDUIT ADJUSTMEN
13	975-040	SPRING - TORSION [2.EA]	67	2266000	BEARING BALL-STEEL [2.EA]	128	2263104	NYLOCK KEEPER
14	337-036	GASKET	68	2266115	BEARING CONE	129	2263463	SCREW-1/4-20 X 2" STL PPH
15	701-008	O-RING, THRU-BOLT [2.EA]	69	2771617	COLLAR HALF-ZINC- 2 PER KIT	130	2355410	SHRINK TUBE-3/8 OD X 2"
16	701-081	O-RING	70	2263452	SCREW-1/4-20 X 3/4" SHCS [2.EA]	131	2261225	LEADWIRE- BATTERY
17	830-007	SCREW-8-32 [2.EA]	71	2280201	CONTROL BOX COVER	132	2256300	TIE WRAP-5.5" BLACK
18	830-042	THRU-BOLT 10-32X8.83" [2.EA]	72	2372100	SCREW-8-18 X 5/8" THD SS [4.EA]	133	2263201	CLAMP WIRE HARNESS MICRO [2.EA]
19	990-067	WASHER- STEEL THRUST	73	2275601	DECAL-COVER MAX55/SC	134	2332103	SCREW-6-20 X 3/8 THDT SS
20	990-070	WASHER - NYLATRON [2.EA]	74	2990140	DIRECTIONAL INDICATOR	135	2260301	CONNECTING WIRE (SWITCH)
21	2097099	MOTOR ASSEMBLY 12V 3.625 5SPC FW 55#	75	2282730	SPRING-INDICATOR	136	2260312	WIRE,BLK W/WHT STRP 19 1/2
22	2032006	TUBE (COMP) 4 HOLE- 52"	76	2375400	SHRINK TUBE-1/4OD X 1-3/4" [2.EA]	137	2260322	WIRE,BLK W/BLUE STRP-12"
■	1378131	PROP KIT	77	2053414	SCREW-#8-32 X 1/2" TRI-LOBE [3.EA]	138	2256301	TIE WRAP-5.5" WHITE
23	2091160	PROPELLER (W.WEDGE 2)	78	2267800	GEAR-INDICATOR	139	2266414	BOTTOM PLATE MAX FOOT PED
24	2151726	WASHER-5/16 STD SS	79	2372100	SCREW-8-18 X 5/8" SS	141	9953104	SCREW-8 X 1/2" SS [8.EA]
25	2053101	NUT-PROP,NYLOC (MED) 5/16 SS	80	2264015	LIGHT/INDICATOR	142	2282500	CONTROL BOX
26	2092600	PIN-DRIVE (95-4HP'S) - SS	81	2020713	TERMINAL-ADAPTOR, MAX [2.EA]	143	2267800	GEAR-INDICATOR [2.EA]
27	9008236	WASHER 1/4 FLAT ZINC [4.EA]	82	2335400	SHRINK TUBE-1/2 OD X 2" [2.EA]	144	2262221	INDICATOR-DRIVE
28	2223100	NUT- TENSION 5/16-18 SS [2.EA]	83	2355410	SHRINK TUBE 3/8 OD X 2	145	2261905	BRACKET/INDICATOR
29	2262605	PIN- BWGRD UPPER THREADED	84	2232360	PULLEY-CABLE DRUM	146	2301310	SCREW-8-18 X 1/2" SS
30	2262607	CLEVIS PIN ZP MAXXUM BWGRD	85	2261730	WASHER-NYLON A/T CON B	■	2994830	BAG ASSEMBLY-MAXXUM
31	2260805	SPRING CLIP	87	2996247	TOP BEARING RACE/ PINION DR	*147	2263431	SCREW 1/4-20 X 3.5" PPH [6.EA]
32	2150400	PULL-GRIP	88	2223468	SCREW-8-32 X 7/16" ZN PL [4.EA]	*148	2261713	WASHER-1/4 FLAT SS [6.EA]
33	2151700	WASHER-EYE SHAFT(.562 OD)	90	2994496	FOOT PEDAL/PLUG ASSEMBLY (AT)	*149	2263103	NUT-1/4-20 NYLOCK-JAM SS [6.EA]
■	2991841	MOUNT- BOW ASSEMBLY, W/O BGRD FW LNG	91	2283700	PUSH-BUTTON FOOT PEDAL	150	2260330	WIRE EXTENSION- 10GA BLK 9"
35	2264246	ARM-UPPER FW LONG	92	2302732	SPRING-LOWER PEDAL SS	151	2260331	WIRE EXTENSION- 10GA RED 9"
36	2293501	BUSHING, STAINLESS STEEL [4.EA]	93	2264020	SWITCH MOMENTARY	152	2260332	WIRE EXTENSION- 10GA WHT 9"
37	2263500	BOLT- SHOULDER (MAXXUM) [2.EA]	94	2265140	BOOT-MICROSWITCH	153	2260333	WIRE EXTENSION- 10GA YEL 9"
38	2994317	ARM-LOWER ASSEMBLY LONG FW,EXT	95	2262114	SCREW-MOUNTING/SWITCH [2.EA]	154	2355410	SHRINK TUBE 3/8 OD X 2 [2.EA]
39	2263913	MOTOR REST LONG MAXXUM	96	2233100	NUT-SWITCH MOUNT [2.EA]	155	2355410	SHRINK TUBE 1/4 OD X 1-3/4 [2.EA]
40	2265514	DECAL-MAXXUM,MOTOR REST [2.EA]	97	2264026	SWITCH-5 SPEED (ALL TERRAIN)	■	2991550	CLAMP COLLAR ASSEMBLY
41	2261505	SPACER, MOTOR REST [6.EA]	98	2261701	LOCKWASHER-STAR	156	2071550	CLAMP COLLAR "A"
42	2773986	BOWPLATE/INST ASSEMBLY STD FW	99	2263105	NUT-HEX	157	2071555	CLAMP COLLAR "B"
43	2251601	ROPE (40"), MAXXUM MOUNT	100	2261715	SPACER-SWITCH 5 SP MODELS	158	2072621	PIN-KNURLED
44	2261708	WASHER-3/8X1/2X.010" SS [2.EA]	101	2280110	KNOB-SPEED CONTROL (5 SPD)	159	2281505	KNOB-CLAMP COLLAR
45	2267318	BEARING NYLINER-[2.EA]	102	2263000	E-RING TRU-ARC#5133-43	161	2071718	WASHER #10 NYLON RETAINING
46	2263434	SCREW, 8-18 X 1" PPH SS [2.EA]	103	2260730	CONNECTOR 1/4 MALE TAB OD	162	2071716	WASHER - FLAT SS
47	2152610	SPRING-PIN LOCKBAR [2.EA]	105	2332103	SCREW-6-20 X 3/8" THD SS	164	2071560	SPLIT COLLAR
48	2233600	LOCK BAR- BOW MOUNT	106	2266413	TENSION SCREW PLATE FTPED	200	2075120	URETHANE PAD
49	2233602	LOCK BAR, REAR - ZINC	107	2260511	PIN-PIVOT A/T FT PDL			
50	2152700	SPRING-LOCKBAR CAD.PLTD	108	2992102	FT PED BASE/PIN ASSEMBLY SONAR			
51	2262703	SPRING STOP	109	2262301	PULLEY- FOOT PEDAL			
52	2153604	EYE SHAFT-2LOCKBAR LONG -PL	110	2266400	COVER-PULLEY STAMPING			
53	2260506	HINGE-PIN HEADLESS ZINC	111	2223430	SCREW- #8 X3/4 SS PPH TYPE 25 [4.EA]			
54	2293811	YOKE,MAX MNT-POLYPROPYLENE	112	2254031	SWITCH-MOM/OFF/CON			
■	2991762	BOWGUARD ASSEMBLY- FT CTRL FW	115	2266412	SWITCH PLATE, FT PEDAL			

2888460 Seal & Oring Kit

* This item is part of an assembly. This item cannot be sold separately due to machining and /or assembly that is required.

