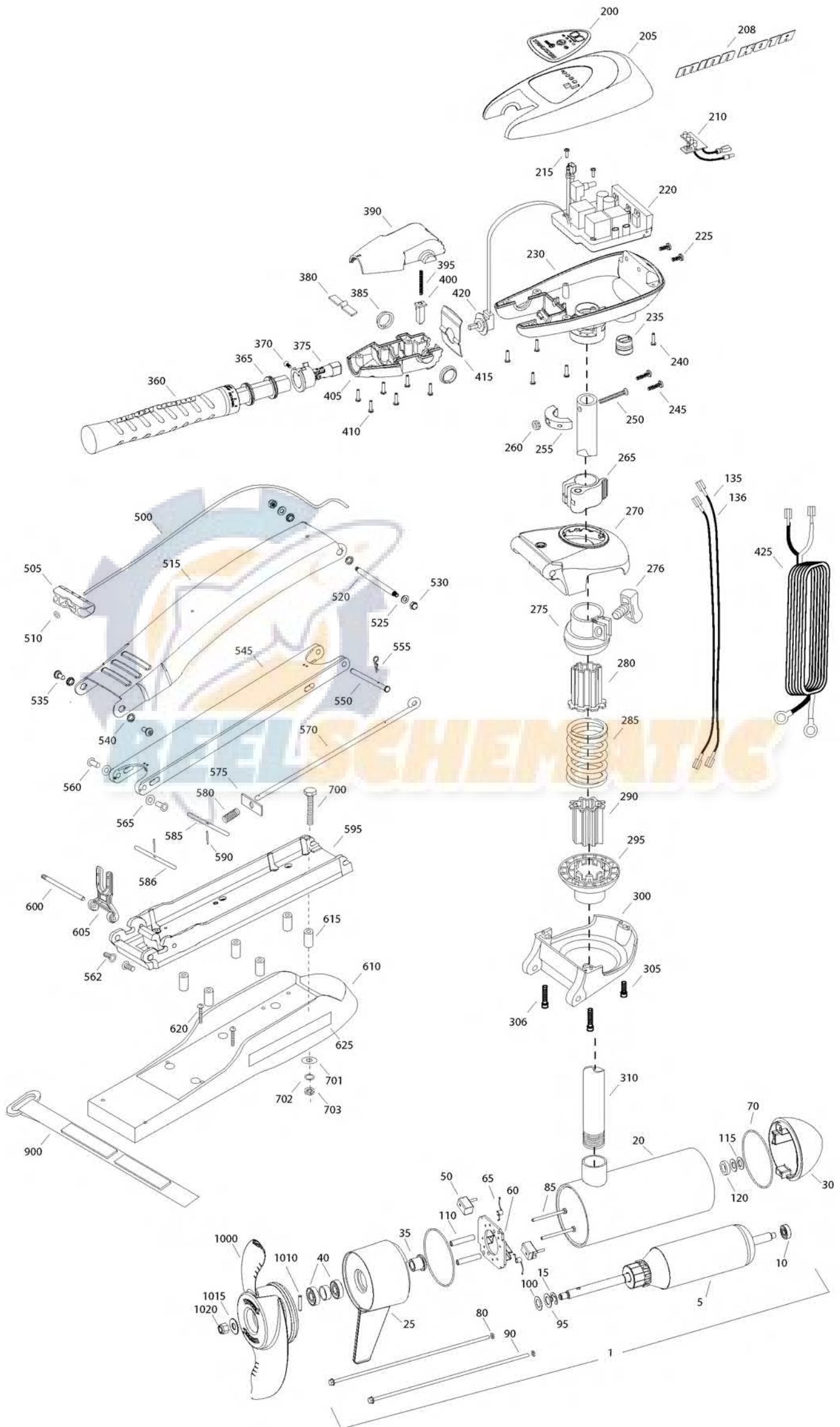


MAXXUM 101/HC
101 LBS THRUST
36 VOLT 46 AMPS
52" SHAFT

for use with "M" serial numbers
2-year warranty



| Item | P/N | Description | Qty | Item | P/N | Description | Qty | Item | P/N | Description | Qty |
|------|-----------|--------------------------------|-----|------|---------|----------------------------------|-----|------|---------|--------------------------|-----|
| 1 | 2316285 | 36V Motor 52" FW | 1 | ■ | 2990957 | Handle assy, VARS [360-410] | 1 | 900 | 2263804 | Strap, hold down | 1 |
| 5 | 2-100-216 | Armature assembly | 1 | 360 | 2990456 | Grip/handle assy, VARS [360-375] | 1 | | | | |
| 10 | 140-010 | Bearing | 1 | 365 | 2060015 | Bearing, handle | 2 | ■ | 1378132 | Propeller kit WW2 | |
| 15 | 788-040 | Retaining ring | 1 | 370 | 2063405 | Screw, #6 PFH SS | 1 | ■ | 2994876 | Propeller bag assy | |
| 20 | 2-200-110 | Center housing assembly | 1 | 375 | 2884092 | Yoke / spider assy, VARS | 1 | 1000 | 2331160 | Propeller WW2 | 1 |
| 25 | 2-300-160 | Brush end housing assembly | 1 | 380 | 2302742 | Spring, detent, off | 1 | 1010 | 2262658 | Drive pin, large | 1 |
| 30 | 421-276 | Plain end housing assembly STD | 1 | 385 | 2060005 | Bearing, handle pivot | 2 | 1015 | 2091701 | Washer, prop, large | 1 |
| 35 | 144-017 | Flange bearing | 1 | 390 | 2060900 | Handle pivot, top | 1 | 1020 | 2093101 | Nut, nylock, prop, large | 1 |
| 40 | 880-025 | Seal | 2 | 395 | 2302745 | Spring, release button | 1 | | | | |
| 50 | 188-094 | Brush | 2 | 400 | 2063700 | Button, release | 1 | | | | |
| 60 | 2-600-148 | Brush plate assembly | 1 | 405 | 2060905 | Handle pivot, bottom | 1 | | | | |
| 65 | 975-041 | Brush spring | 2 | 410 | 2303412 | Screw, #6 x 5/8 SS | 6 | | | | |
| 70 | 701-043 | O-ring, motor | 2 | | | | | | | | |
| 80 | 701-009 | O-ring, thru-bolt | 2 | 415 | 2062715 | Spring, handle pivot | 1 | | | | |
| 85 | 830-027 | Screw, 10-32 x 2 | 2 | 420 | 2061700 | Washer, pot holder | 1 | | | | |
| 90 | 830-096 | Thru-bolt | 2 | 425 | 2992523 | Leadwire assy | 1 | | | | |
| 95 | 990-051 | Washer, steel | 2 | | | | | | | | |
| 100 | 990-052 | Washer, nylatron | 2 | ■ | 2991840 | Mount, Bow Assy W/ Bowguard | 1 | | | | |
| 110 | 973-025 | Spacer, brush plate | 2 | | | [270-306], [500-625] | | | | | |
| 115 | 992-010 | Washer, Belleville | 2 | 500 | 2251601 | Rope | 1 | | | | |
| 120 | 992-045 | Spacer, thrust | 1 | 505 | 2150400 | Pull grip | 1 | | | | |
| 135 | 640-018 | Leadwire, black | 1 | 510 | 2151700 | Washer | 1 | | | | |
| 136 | 640-123 | Leadwire, red | 1 | 515 | 2264241 | Arm, upper, std, fw | 1 | | | | |
| ■ | 2889460 | Seal and O-ring Kit | | 520 | 2262605 | Pin, bowguard, upper | 1 | | | | |
| | | | | 525 | 9908236 | Washer, 1/4", ZP | 2 | | | | |
| 200 | 2185616 | Decal, c-box cover | 1 | 530 | 2223100 | Nut, 5/16-18 SS | 2 | | | | |
| 205 | 2060295 | C-box cover | 1 | 535 | 2263500 | Bolt, shoulder | 2 | | | | |
| 208 | 2065665 | Decal - MinnKota | 2 | 540 | 2293501 | Bushing, SS | 2 | | | | |
| 210 | 2074072 | Battery meter, 36v FW | 1 | 545 | 2994307 | Arm, Lower, std, fw | 1 | | | | |
| 215 | 3043427 | Screw, #8 x 7/8 SS | 2 | 550 | 2262607 | Pin, clevis ZP | 1 | | | | |
| 220 | 2184017 | Control board, 24/36v | 1 | 555 | 2260805 | Spring, clip | 1 | | | | |
| 225 | 2303434 | Screw, #8-30 x 5/8 SS | 2 | 560 | 2261318 | Bushing, nylon | 2 | | | | |
| 230 | 2062501 | Control box, VARS, FW | 1 | 562 | 2261540 | Insert-threaded bowplate | 2 | | | | |
| 235 | 2062905 | Strain relief | 1 | 565 | 2261708 | Washer, spacer, .010 thk | 2 | | | | |
| 240 | 2303412 | Screw, #6 x 5/8 SS | 6 | 570 | 2153602 | Eyeshaft, ZP | 1 | | | | |
| 245 | 2263434 | Screw, #8 x 1 SS | 2 | 575 | 2262703 | Spring stop | 1 | | | | |
| 250 | 2383407 | Screw, #10-24 x 2 SS | 1 | 580 | 2152700 | Spring, lock bar | 1 | | | | |
| 255 | 2061515 | Collar, c-box | 1 | 585 | 2233622 | Lock bar, front, ZP | 1 | | | | |
| 260 | 2383124 | Nut, 10-24, nylock, SS | 1 | 586 | 2233620 | Lock bar, back, ZP | 1 | | | | |
| 265 | 2991521 | Cam lock/depth collar assy | 1 | 590 | 2152610 | Spring pin | 2 | | | | |
| | | | | 595 | 2773987 | Bowplate w/ insert, std, fw | 1 | | | | |
| ■ | 2991760 | Bowguard Assembly [270-306] | 1 | 600 | 2260506 | Hinge pin, ZP | 1 | | | | |
| 270 | 2261976 | Bracket, top | 1 | 605 | 2293811 | Yoke, Max | 1 | | | | |
| 275 | 2261525 | Spring sleeve, Upper | 1 | 610 | 2263912 | Motor rest, std, fw | 1 | | | | |
| 276 | 2011365 | Knob, collar | 1 | 615 | 2261505 | Spacer, motor rest | 6 | | | | |
| 280 | 2264702 | Tube insert, bowmount | 2 | 620 | 2263434 | Screw, #8, SS | 2 | | | | |
| 285 | 2262711 | Spring, bowguard | 1 | 625 | 2265514 | Decal, motor rest | 2 | | | | |
| 295 | 2261535 | Spring sleeve, Lower | 1 | | | | | | | | |
| 300 | 2991775 | Bracket Assy, bottom | 1 | ■ | 2994830 | Bag assembly | 1 | | | | |
| 305 | 2263423 | Screw, 5/16 x 1" SHCS ZP | 1 | 700 | 2263431 | Screw, 1/4-20 x 3 1/2" PPH, SS | 6 | | | | |
| 306 | 2263425 | Screw, 5/16 x 2.5" SHCS ZP | 2 | 701 | 2301720 | Washer, rubber mounting | 6 | | | | |
| | | | | 702 | 2261713 | Washer, 1/4 SS | 6 | | | | |
| 310 | 2032068 | Tube Composite 52" | 1 | 703 | 2263101 | Nut, 1/4-20 Nylock, SS | 6 | | | | |

* This item is part of an assembly. This item cannot be sold separately due to machining and /or assembly that is required.

12-24-36 VOLT VARIABLE SPEED MODELS MODÈLES 12-24-36 V VITESSE VARIABLE

THIS IS A UNIVERSAL MULTI-VOLTAGE DIAGRAM. DOUBLE CHECK YOUR MOTORS VOLTAGE FOR PROPER CONNECTIONS
CECI EST UN SCHÉMA À TENSION MULTIPLE UNIVERSEL. REVÉRIFIEZ LA TENSION DE VOTRE MOTEUR POUR BIEN LE BRANCHER.

Maxxum 101/HC is 36-volt only!

