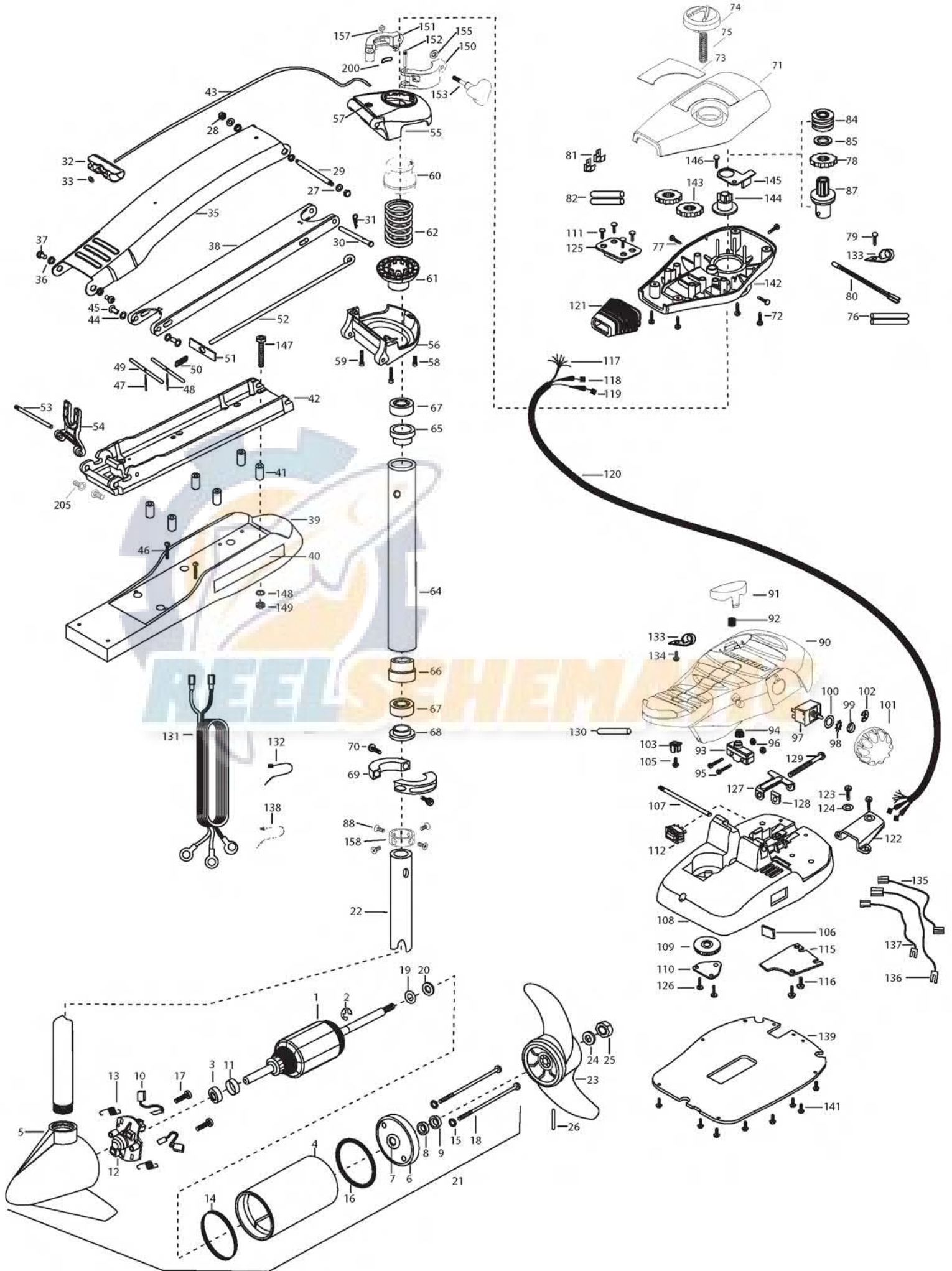


MAX55/SC - 52  
55 lbs Thrust  
12 Volt 50 Amps  
52" SHAFT

for use with "M" serial numbers  
2-year warranty



|     |           |                                      |     |         |                                      |      |         |                                   |
|-----|-----------|--------------------------------------|-----|---------|--------------------------------------|------|---------|-----------------------------------|
| 1   | 2-100-121 | ARMATURE ASSEMBLY 12V 3.625 5SPC 55# | 55  | 2772319 | BRACKET BASE TOP/EYELET ASSEMBLY     | 116  | 2332103 | SCREW-6-20 X 3/8 THD SS [2.EA]    |
| 2   | 788-015   | RETAINING RING                       | 56  | 2991771 | BRKT BTTM/BEARING FW ASSEMBLY        | 117  | 2261208 | WIRE HARNESS, A/T FT. PHD         |
| 3   | 140-010   | BALL BEARING                         | 57  | 2772352 | EYELET KIT                           | 118  | 2267505 | CABLE ASSY-RIGHT (5')             |
| 4   | 2-200-101 | CENTER HOUSING ASSEMBLY 3.625 FW TXT | 58  | 2263423 | SCREW 5/16-18 X 1" SHCS ZINC         | 119  | 2267515 | CABLE ASSY-LEFT (5')              |
| 5   | 2-300-196 | BRUSH END HOUSING ASSEMBLY 3.62 SPCO | 59  | 2263425 | SCREW 5/16-18 X 2 1/2" SHCS [2.EA]   | 120  | 2265430 | CABLE JACKET (5')                 |
| 6   | 2-400-101 | PLAIN END HOUSING ASSEMBLY           | 60  | 2071541 | SPRING-SLEEVE UPPER                  | 121  | 2265110 | BOOT-CONTROL BOX                  |
| 7   | 144-049   | BEARING - FLANGE (SERVICE ONLY)      | 61  | 2071535 | SPRING SLEEVE, LOWER                 | 122  | 2265115 | BOOT-FOOT PEDAL BASE              |
| 8   | 880-003   | SEAL                                 | 62  | 2262706 | SPRING, BOWGUARD, NIK PL             | 123  | 2372100 | SCREW-8-18 X 5/8 THD SS [2.EA]    |
| 9   | 880-006   | SEAL WITH SHIELD                     | 64  | 2772016 | TUBE W/BEARING RACE ASSEMBLY         | 124  | 2261714 | WASHER-MAXXUM FT PDL [2.EA]       |
| 10  | 188-036   | BRUSH ASSEMBLY [2.EA]                | 65  | 2272067 | TUBE OUTER-24" 4 HOLES               | 125  | 2261901 | BRACKET-CONDUIT                   |
| 11  | 725-050   | BRUSH RETENTION- PAPER TUBE          | 66  | 2266260 | BEARING RACE                         | 126  | 2301310 | SCREW-8-18 X 1/2 SS [2.EA]        |
| 12  | 738-036   | BRUSH PLATE W/HOLDER                 | 67  | 2266220 | BEARING RACE-STEEL                   | 127  | 2263210 | BRACKET-CONDUIT ADJUSTMEN         |
| 13  | 975-040   | SPRING - TORSION [2.EA]              | 68  | 2266000 | BEARING BALL-STEEL [2.EA]            | 128  | 2263104 | NYLOCK KEEPER                     |
| 14  | 337-036   | GASKET                               | 69  | 2266115 | BEARING CONE                         | 129  | 2263463 | SCREW-1/4-20 X 2" STL PPH         |
| 15  | 701-008   | O-RING, THRU-BOLT [2.EA]             | 70  | 2771617 | COLLAR HALF-ZINC- 2 PER KIT          | 130  | 2355410 | SHRINK TUBE-3/8 OD X 2"           |
| 16  | 701-081   | O-RING                               | 71  | 2263452 | SCREW-1/4-20 X 3/4" SHCS [2.EA]      | 131  | 2261225 | LEADWIRE- BATTERY                 |
| 17  | 830-007   | SCREW-8-32 [2.EA]                    | 72  | 2280201 | CONTROL BOX COVER                    | 132  | 2256300 | TIE WRAP-5.5" BLACK               |
| 18  | 830-042   | THRU-BOLT 10-32X8.83" [2.EA]         | 73  | 2372100 | SCREW-8-18 X 5/8" THD SS [4.EA]      | 133  | 2263201 | CLAMP WIRE HARNESS MICRO [2.EA]   |
| 19  | 990-067   | WASHER- STEEL THRUST                 | 74  | 2275601 | DECAL-COVER MAX55/SC                 | 134  | 2332103 | SCREW-6-20 X 3/8 THDT SS          |
| 20  | 990-070   | WASHER - NYLATRON [2.EA]             | 75  | 2990140 | DIRECTIONAL INDICATOR                | 135  | 2260301 | CONNECTING WIRE (SWITCH)          |
| 21  | 2097087   | MOTOR ASSEMBLY 12V 3.625 5SPC FW 55# | 76  | 2282730 | SPRING-INDICATOR                     | 136  | 2260312 | WIRE,BLK W/WHT STRP 19 1/2        |
| 22  | 2032006   | TUBE (COMP) 4 HOLE- 52"              | 77  | 2375400 | SHRINK TUBE-1/4OD X 1-3/4" [2.EA]    | 137  | 2260322 | WIRE,BLK W/BLUE STRP-12"          |
| 23  | 1378131   | PROP KIT                             | 78  | 2053414 | SCREW-#8-32 X 1/2" TRI-LOBE [3.EA]   | 138  | 2256301 | TIE WRAP-5.5" WHITE               |
| 24  | 2091160   | PROPELLER (W.WEDGE 2)                | 79  | 2267800 | GEAR-INDICATOR                       | 139  | 2266414 | BOTTOM PLATE MAX FOOT PED         |
| 25  | 2151726   | WASHER-5/16 STD SS                   | 80  | 2372100 | SCREW-8-18 X 5/8" SS                 | 141  | 9953104 | SCREW-8 X 1/2" SS [8.EA]          |
| 26  | 2053101   | NUT-PROP,NYLOC (MED) 5/16 SS         | 81  | 2264015 | LIGHT/INDICATOR                      | 142  | 2282500 | CONTROL BOX                       |
| 27  | 2092600   | PIN-DRIVE (95-4HP'S) SS              | 82  | 2020713 | TERMINAL-ADAPTOR, MAX [2.EA]         | 143  | 2267800 | GEAR-INDICATOR [2.EA]             |
| 28  | 9008236   | WASHER 1/4 FLAT ZINC [4.EA]          | 83  | 2335400 | SHRINK TUBE-1/2 OD X 2" [2.EA]       | 144  | 2262221 | INDICATOR-DRIVE                   |
| 29  | 2223100   | NUT- TENSION 5/16-18 SS [2 .EA]      | 84  | 2355410 | SHRINK TUBE 3/8 OD X 2               | 145  | 2261905 | BRACKET/INDICATOR                 |
| 30  | 2262605   | PIN- BWGRD UPPER THREADED            | 85  | 2232360 | PULLEY-CABLE DRUM                    | 146  | 2301310 | SCREW-8-18 X 1/2" SS              |
| 31  | 2262607   | CLEVIS PIN ZP MAXXUM BWGRD           | 86  | 2261730 | WASHER-NYLON A/T CON B               | 147  | 2994830 | BAG ASSEMBLY-MAXXUM               |
| 32  | 2260805   | SPRING CLIP                          | 87  | 2996247 | TOP BEARING RACE/ PINION DR          | *148 | 2263431 | SCREW 1/4-20 X 3.5" PPH [6.EA]    |
| 33  | 2150400   | PULL-GRIP                            | 88  | 2223468 | SCREW-8-32 X 7/16" ZN PL [4.EA]      | *149 | 2261713 | WASHER-1/4 FLAT SS [6.EA]         |
| 34  | 2151700   | WASHER-EYE SHAFT(.562 OD)            | 89  | 2994496 | FOOT PEDAL/PLUG ASSEMBLY (AT)        | 150  | 2263103 | NUT-1/4-20 NYLOCK-JAM SS [6.EA]   |
| 35  | 2991841   | MOUNT- BOW ASSEMBLY, W/O BGRD FW LNG | 90  | 2283700 | PUSH-BUTTON FOOT PEDAL               | 151  | 2260330 | WIRE EXTENSION- 10GA BLK 9"       |
| 36  | 2264246   | ARM-UPPER FW LONG                    | 91  | 2302732 | SPRING-LOWER PEDAL SS                | 152  | 2260331 | WIRE EXTENSION- 10GA RED 9"       |
| 37  | 2293501   | BUSHING, STAINLESS STEEL [4.EA]      | 92  | 2264020 | SWITCH MOMENTARY                     | 153  | 2260332 | WIRE EXTENSION- 10GA WHT 9"       |
| 38  | 2263500   | BOLT- SHOULDER (MAXXUM) [2.EA]       | 93  | 2265140 | BOOT-MICROSWITCH                     | 154  | 2260333 | WIRE EXTENSION- 10GA YEL 9"       |
| 39  | 2994317   | ARM-LOWER ASSEMBLY LONG FW,EXT       | 94  | 2262114 | SCREW-MOUNTING/SWITCH [2.EA]         | 155  | 2355410 | SHRINK TUBE 3/8 OD X 2 [2.EA]     |
| 40  | 2263913   | MOTOR REST LONG MAXXUM               | 95  | 2233100 | NUT-SWITCH MOUNT [2.EA]              | 156  | 2355410 | SHRINK TUBE 1/4 OD X 1-3/4 [2.EA] |
| 41  | 2265514   | DECAL-MAXXUM,MOTOR REST [2.EA]       | 96  | 2264026 | SWITCH-5 SPEED (ALL TERRAIN)         | 157  | 2991550 | CLAMP COLLAR ASSEMBLY             |
| 42  | 2261505   | SPACER, MOTOR REST [6.EA]            | 97  | 2261701 | LOCKWASHER-STAR                      | 158  | 2071550 | CLAMP COLLAR "A"                  |
| 43  | 2773986   | BOWPLATE/INST ASSEMBLY STD FW        | 98  | 2263105 | NUT-HEX                              | 159  | 2071555 | CLAMP COLLAR "B"                  |
| 44  | 2251601   | ROPE (40"), MAXXUM MOUNT             | 99  | 2261715 | SPACER-SWITCH 5 SP MODELS            | 160  | 2072621 | PIN-KNURLED                       |
| 45  | 2261708   | WASHER-3/8X1/2X.010" SS [2.EA]       | 100 | 2280110 | KNOB-SPEED CONTROL (5 SPD)           | 161  | 2281505 | KNOB-CLAMP COLLAR                 |
| 46  | 2267318   | BEARING NYLINER-[2.EA]               | 101 | 2263000 | E-RING TRU-ARC#5133-43               | 162  | 2071718 | WASHER #10 NYLON RETAINING        |
| 47  | 2263434   | SCREW, 8-18 X 1" PPH SS [2.EA]       | 102 | 2260730 | CONNECTOR 1/4 MALE TAB OD            | 163  | 2071716 | WASHER - FLAT SS                  |
| 48  | 2152610   | SPRING-PIN LOCKBAR [2.EA]            | 103 | 2332103 | SCREW-6-20 X 3/8" THD SS             | 164  | 2071560 | SPLIT COLLAR                      |
| 49  | 2233600   | LOCK BAR- BOW MOUNT                  | 104 | 2266413 | TENSION SCREW PLATE FTPED            | 200  | 2075120 | URETHANE PAD                      |
| 50  | 2233602   | LOCK BAR, REAR - ZINC                | 105 | 2260511 | PIN-PIVOT A/T FT PDL                 | 205  | 2261540 | INSERT-THREADED BOWPLATE (2 EA.)  |
| 51  | 2152700   | SPRING-LOCKBAR CAD.PLTD              | 106 | 2992102 | FT PED BASE/PIN ASSEMBLY SONAR       |      |         |                                   |
| 52  | 2262703   | SPRING STOP                          | 107 | 2262301 | PULLEY- FOOT PEDAL                   |      |         |                                   |
| 53  | 2153604   | EYE SHAFT-2LOCKBAR LONG -PL          | 108 | 2266400 | COVER-PULLEY STAMPING                |      |         |                                   |
| 54  | 2260506   | HINGE-PIN HEADLESS ZINC              | 109 | 2223430 | SCREW- #8 X3/4 SS PPH TYPE 25 [4.EA] |      |         |                                   |
| 55  | 2293811   | YOKE,MAX MNT-POLYPROPYLENE           | 110 | 2254031 | SWITCH-M0M/OFF/CON                   |      |         |                                   |
| 56  | 2991762   | BOWGUARD ASSEMBLY- FT CTRL FW        | 111 | 2266412 | SWITCH PLATE, FT PEDAL               |      |         |                                   |
| 57  |           |                                      | 112 |         |                                      |      |         |                                   |
| 58  |           |                                      | 113 |         |                                      |      |         |                                   |
| 59  |           |                                      | 114 |         |                                      |      |         |                                   |
| 60  |           |                                      | 115 |         |                                      |      |         |                                   |
| 61  |           |                                      |     |         |                                      |      |         |                                   |
| 62  |           |                                      |     |         |                                      |      |         |                                   |
| 63  |           |                                      |     |         |                                      |      |         |                                   |
| 64  |           |                                      |     |         |                                      |      |         |                                   |
| 65  |           |                                      |     |         |                                      |      |         |                                   |
| 66  |           |                                      |     |         |                                      |      |         |                                   |
| 67  |           |                                      |     |         |                                      |      |         |                                   |
| 68  |           |                                      |     |         |                                      |      |         |                                   |
| 69  |           |                                      |     |         |                                      |      |         |                                   |
| 70  |           |                                      |     |         |                                      |      |         |                                   |
| 71  |           |                                      |     |         |                                      |      |         |                                   |
| 72  |           |                                      |     |         |                                      |      |         |                                   |
| 73  |           |                                      |     |         |                                      |      |         |                                   |
| 74  |           |                                      |     |         |                                      |      |         |                                   |
| 75  |           |                                      |     |         |                                      |      |         |                                   |
| 76  |           |                                      |     |         |                                      |      |         |                                   |
| 77  |           |                                      |     |         |                                      |      |         |                                   |
| 78  |           |                                      |     |         |                                      |      |         |                                   |
| 79  |           |                                      |     |         |                                      |      |         |                                   |
| 80  |           |                                      |     |         |                                      |      |         |                                   |
| 81  |           |                                      |     |         |                                      |      |         |                                   |
| 82  |           |                                      |     |         |                                      |      |         |                                   |
| 83  |           |                                      |     |         |                                      |      |         |                                   |
| 84  |           |                                      |     |         |                                      |      |         |                                   |
| 85  |           |                                      |     |         |                                      |      |         |                                   |
| 86  |           |                                      |     |         |                                      |      |         |                                   |
| 87  |           |                                      |     |         |                                      |      |         |                                   |
| 88  |           |                                      |     |         |                                      |      |         |                                   |
| 89  |           |                                      |     |         |                                      |      |         |                                   |
| 90  |           |                                      |     |         |                                      |      |         |                                   |
| 91  |           |                                      |     |         |                                      |      |         |                                   |
| 92  |           |                                      |     |         |                                      |      |         |                                   |
| 93  |           |                                      |     |         |                                      |      |         |                                   |
| 94  |           |                                      |     |         |                                      |      |         |                                   |
| 95  |           |                                      |     |         |                                      |      |         |                                   |
| 96  |           |                                      |     |         |                                      |      |         |                                   |
| 97  |           |                                      |     |         |                                      |      |         |                                   |
| 98  |           |                                      |     |         |                                      |      |         |                                   |
| 99  |           |                                      |     |         |                                      |      |         |                                   |
| 100 |           |                                      |     |         |                                      |      |         |                                   |
| 101 |           |                                      |     |         |                                      |      |         |                                   |
| 102 |           |                                      |     |         |                                      |      |         |                                   |
| 103 |           |                                      |     |         |                                      |      |         |                                   |
| 104 |           |                                      |     |         |                                      |      |         |                                   |
| 105 |           |                                      |     |         |                                      |      |         |                                   |
| 106 |           |                                      |     |         |                                      |      |         |                                   |
| 107 |           |                                      |     |         |                                      |      |         |                                   |
| 108 |           |                                      |     |         |                                      |      |         |                                   |
| 109 |           |                                      |     |         |                                      |      |         |                                   |
| 110 |           |                                      |     |         |                                      |      |         |                                   |
| 111 |           |                                      |     |         |                                      |      |         |                                   |
| 112 |           |                                      |     |         |                                      |      |         |                                   |
| 113 |           |                                      |     |         |                                      |      |         |                                   |
| 114 |           |                                      |     |         |                                      |      |         |                                   |
| 115 |           |                                      |     |         |                                      |      |         |                                   |
| 116 |           |                                      |     |         |                                      |      |         |                                   |
| 117 |           |                                      |     |         |                                      |      |         |                                   |
| 118 |           |                                      |     |         |                                      |      |         |                                   |
| 119 |           |                                      |     |         |                                      |      |         |                                   |
| 120 |           |                                      |     |         |                                      |      |         |                                   |
| 121 |           |                                      |     |         |                                      |      |         |                                   |
| 122 |           |                                      |     |         |                                      |      |         |                                   |
| 123 |           |                                      |     |         |                                      |      |         |                                   |
| 124 |           |                                      |     |         |                                      |      |         |                                   |
| 125 |           |                                      |     |         |                                      |      |         |                                   |
| 126 |           |                                      |     |         |                                      |      |         |                                   |
| 127 |           |                                      |     |         |                                      |      |         |                                   |
| 128 |           |                                      |     |         |                                      |      |         |                                   |
| 129 |           |                                      |     |         |                                      |      |         |                                   |
| 130 |           |                                      |     |         |                                      |      |         |                                   |
| 131 |           |                                      |     |         |                                      |      |         |                                   |
| 132 |           |                                      |     |         |                                      |      |         |                                   |
| 133 |           |                                      |     |         |                                      |      |         |                                   |
| 134 |           |                                      |     |         |                                      |      |         |                                   |
| 135 |           |                                      |     |         |                                      |      |         |                                   |
| 136 |           |                                      |     |         |                                      |      |         |                                   |
| 137 |           |                                      |     |         |                                      |      |         |                                   |
| 138 |           |                                      |     |         |                                      |      |         |                                   |
| 139 |           |                                      |     |         |                                      |      |         |                                   |
| 140 |           |                                      |     |         |                                      |      |         |                                   |
| 141 |           |                                      |     |         |                                      |      |         |                                   |
| 142 |           |                                      |     |         |                                      |      |         |                                   |
| 143 |           |                                      |     |         |                                      |      |         |                                   |
| 144 |           |                                      |     |         |                                      |      |         |                                   |
| 145 |           |                                      |     |         |                                      |      |         |                                   |
| 146 |           |                                      |     |         |                                      |      |         |                                   |
| 147 |           |                                      |     |         |                                      |      |         |                                   |
| 148 |           |                                      |     |         |                                      |      |         |                                   |
| 149 |           |                                      |     |         |                                      |      |         |                                   |
| 150 |           |                                      |     |         |                                      |      |         |                                   |
| 151 |           |                                      |     |         |                                      |      |         |                                   |
| 152 |           |                                      |     |         |                                      |      |         |                                   |
| 153 |           |                                      |     |         |                                      |      |         |                                   |
| 154 |           |                                      |     |         |                                      |      |         |                                   |
| 155 |           |                                      |     |         |                                      |      |         |                                   |
| 156 |           |                                      |     |         |                                      |      |         |                                   |
| 157 |           |                                      |     |         |                                      |      |         |                                   |
| 158 |           |                                      |     |         |                                      |      |         |                                   |
| 159 |           |                                      |     |         |                                      |      |         |                                   |
| 160 |           |                                      |     |         |                                      |      |         |                                   |
| 161 |           |                                      |     |         |                                      |      |         |                                   |
| 162 |           |                                      |     |         |                                      |      |         |                                   |
| 163 |           |                                      |     |         |                                      |      |         |                                   |
| 164 |           |                                      |     |         |                                      |      |         |                                   |
| 165 |           |                                      |     |         |                                      |      |         |                                   |
| 166 |           |                                      |     |         |                                      |      |         |                                   |
| 167 |           |                                      |     |         |                                      |      |         |                                   |
| 168 |           |                                      |     |         |                                      |      |         |                                   |
| 169 |           |                                      |     |         |                                      |      |         |                                   |
| 170 |           |                                      |     |         |                                      |      |         |                                   |
| 171 |           |                                      |     |         |                                      |      |         |                                   |
| 172 |           |                                      |     |         |                                      |      |         |                                   |
| 173 |           |                                      |     |         |                                      |      |         |                                   |
| 174 |           |                                      |     |         |                                      |      |         |                                   |
| 175 |           |                                      |     |         |                                      |      |         |                                   |
| 176 |           |                                      |     |         |                                      |      |         |                                   |
| 177 |           |                                      |     |         |                                      |      |         |                                   |
| 178 |           |                                      |     |         |                                      |      |         |                                   |
| 179 |           |                                      |     |         |                                      |      |         |                                   |
| 180 |           |                                      |     |         |                                      |      |         |                                   |
| 181 |           |                                      |     |         |                                      |      |         |                                   |
| 182 |           |                                      |     |         |                                      |      |         |                                   |
| 183 |           |                                      |     |         |                                      |      |         |                                   |
| 184 |           |                                      |     |         |                                      |      |         |                                   |
| 185 |           |                                      |     |         |                                      |      |         |                                   |
| 186 |           |                                      |     |         |                                      |      |         |                                   |
| 187 |           |                                      |     |         |                                      |      |         |                                   |
| 188 |           |                                      |     |         |                                      |      |         |                                   |
| 189 |           |                                      |     |         |                                      |      |         |                                   |
| 190 |           |                                      |     |         |                                      |      |         |                                   |
| 191 |           |                                      |     |         |                                      |      |         |                                   |
| 192 |           |                                      |     |         |                                      |      |         |                                   |
| 193 |           |                                      |     |         |                                      |      |         |                                   |
| 194 |           |                                      |     |         |                                      |      |         |                                   |
| 195 |           |                                      |     |         |                                      |      |         |                                   |
| 196 |           |                                      |     |         |                                      |      |         |                                   |
| 197 |           |                                      |     |         |                                      |      |         |                                   |
| 198 |           |                                      |     |         |                                      |      |         |                                   |
|     |           |                                      |     |         |                                      |      |         |                                   |

