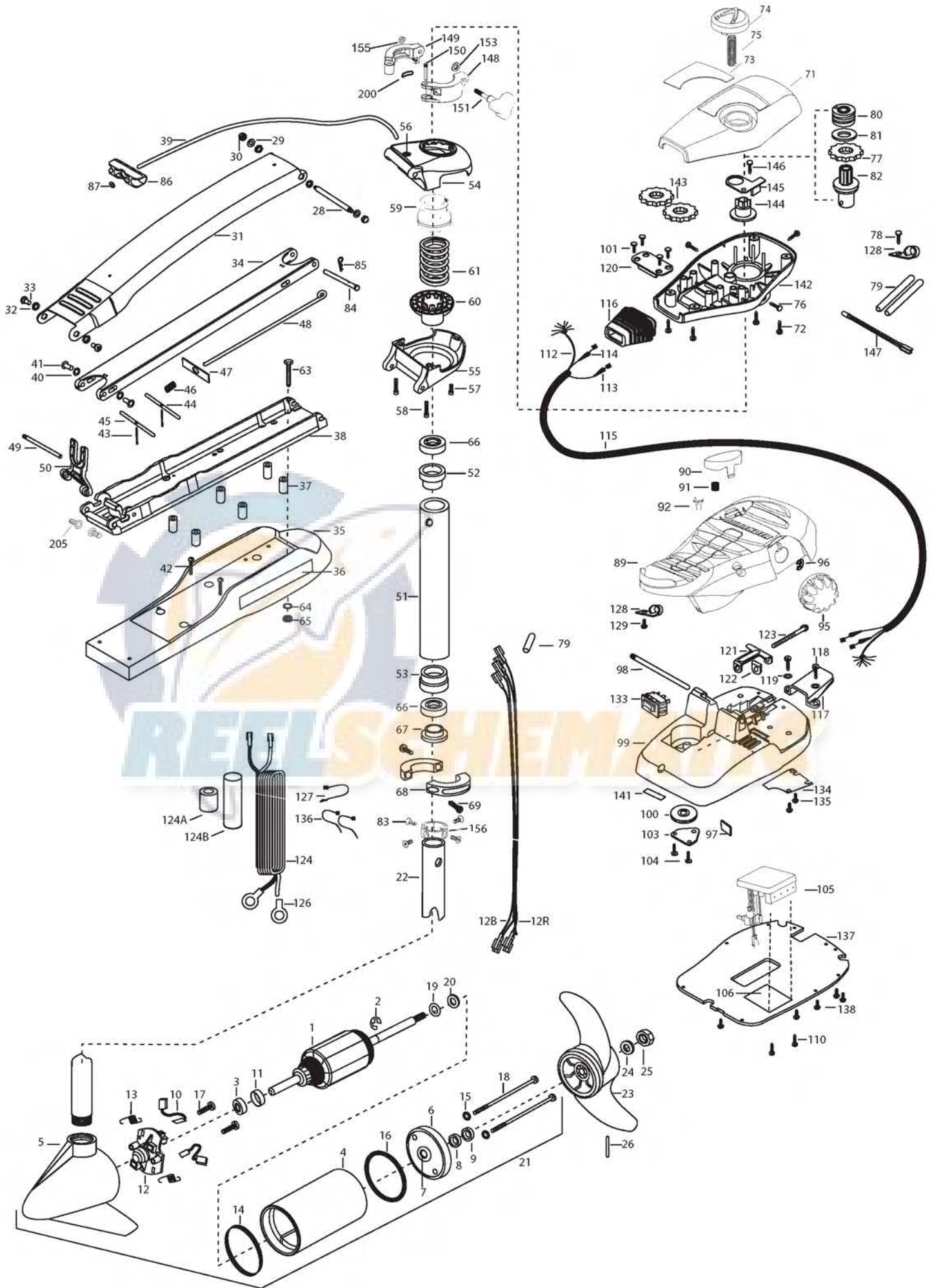


MAXXUM 70 - 48" & 52"  
70 lbs Thrust  
24 Volt 42 Amps  
48" & 52" SHAFT

for use with "M" serial numbers  
2-year warranty



1	2-100-119	ARMATURE ASSEMBLY	51	2272067	TUBE OUTER-24" 4 HOLES 48"-52"	112	2261220	WIRE HARNESS AT & MAX
2	788-015	RETAINING RING		2272068	TUBE OUTER-34" 4 HOLES 62"	113	2267505	CABLE ASSEMBLY- RIGHT (5')
3	140-010	BALL BEARING	52	2266260	BEARING RACE	114	2267515	CABLE ASSEMBLY- LEFT (5')
4	431-005	CENTER HOUSING ASSEMBLY	53	2266220	BEARING RACE- STEEL	115	2265430	CABLE JACKET (5')
5	421-065	HOUSING BRUSH END 3.62 62"	■	2991762	BOWGUARD ASSEMBLY- FT CTRL,FW 52"	116	2265110	BOOT- CONTROL BOX
6	2-400-101	PLAIN END HOUSING ASSEMBLY		2991763	BOWGUARD ASSEMBLY- FT CTRL,FW 62"	117	2265115	BOOT- FOOT PEDAL BASE
7	144-049	BEARING - FLANGE (SERVICE CENTER ONLY)	54	2772319	BRACKET BASE TOP/INSERT ASSEMBLY	118	2372100	SCREW- 8-18X5/8 THD [2.EA]
8	880-003	SEAL	55	2991771	BRKT BOTTOM/BEARING FW ASSEMBLY 52"	119	2261714	WASHER- MAXXUM FT PDL [2.EA]
9	880-006	SEAL WITH SHIELD		2991770	BRKT BOTTOM/BEARING FW ASSEMBLY 62"	120	2261901	BRACKET- CONDUIT
■	2888460	SEAL & ORING KIT	56	2772352	EYELET- ROPE KIT	121	2263210	BRACKET- CONDUIT ADJUST
10	188-037	BRUSH ASSEMBLY [2.EA]	57	2263423	SCREW 5/16-18 X 1" SHCS ZINC	122	2263104	NYLOCK KEEPER
11	725-050	BRUSH RETENTION- PAPER TUBE	58	2263425	SCREW 5/16-18 X 2 1/2" SHCS [2.EA]	123	2266366	SCREW- 1/4-20X2" STL PPH
12	738-036	BRUSH PLATE W/HOLDER	59	2071541	SPRING SLEEVE- UPPER	124	2261233	LEADWIRE- VARIABLE
12B	640-008	LEADWIRE 10 GA	60	2071535	SPRING SLEEVE- LOWER	126	2020700	TERMINAL RING- 3/8" [2.EA]
12R	640-107	LEADWIRE RED 10 GA	61	2262712	SPRING- BOWGUARD, FC PAINTED	127	2256300	TIE WRAP- 5.5' BLACK
13	975-040	SPRING - TORSION [2.EA]	■	2994830	BAG ASSEMBLY- MAXXUM	128	2263201	CLAMP WIRE HARNESS MICRO [2.EA]
14	337-036	GASKET	*63	2263431	SCREW- 1/4-20 X 3.5 PPH [6.EA]	129	2332103	SCREW- 6-20X3/8 THD (SS)
15	701-008	O-RING, THRU-BOLT [2.EA]	*64	2261713	WASHER- 1/4 FLAT S/S [6.EA]	133	2254031	SWITCH- MOM/OFF/CON
16	701-081	O-RING	*65	2263103	NUT- 1/4-20 NYLOCK-JAM SS [6.EA]	134	2266412	SWITCH PLATE- FT PEDAL
17	830-007	SCREW-8-32 [2.EA]	■	2994832	BAG ASSEMBLY- MAX101 62"	135	2332103	SCREW- 6-20X3/8 THD SS [2.EA]
18	830-008	THRU-BOLT 10-32X9.2 [2.EA]	66	2266000	BEARING BALL- STEEL [2.EA]	136	2256301	TIE WRAP- 5.5' WHITE [2.EA]
19	990-067	WASHER- STEEL THRUST	*67	2266115	BEARING CONE	137	2774511	BOTTOM PLATE- MAXXUM FT
20	990-070	WASHER- NYLATRON [2.EA]	*68	2261622	COLLAR HALF- ALUM. [2.EA]	138	2372100	SCREW-8 X 1/2" (SS) [5.EA]
21	2096031	MOTOR ASSEMBLY 24V F/W 52"	*69	2263453	SCREW- 1/4-20X3/4 [2.EA]	139	2263455	SCREW- #12-14X1/2 THR FRM [4.EA]
22	2032006	TUBE- COMPOSITE 52" W/4 HOLE	71	2280201	CONTROL BOX COVER	140	2265126	BUMPER PAD- FOOT PEDAL [4.EA]
	2032005	TUBE- COMPOSITE 48" W/4 HOLE	72	2372100	SCREW- 8-18 X 5/8 THD [4.EA]	141	2266610	DECAL- ON/OFF SWITCH
■	1378131	PROPELLER KIT	73	2275604	DECAL- COVER MAX70/FC	142	2282500	CONTROL BOX
23	2091160	PROPELLER W.WEDGE 2	74	2990140	DIRECTIONAL INDICATOR	143	2267800	GEAR- INDICATOR [2.EA]
24	2151726	WASHER-5/16 SS	75	2282730	SPRING- INDICATOR	144	2262221	INDICATOR- DRIVE
25	2053101	NUT-PROP NYLOC	76	2053414	SCREW- 8-32 X 1/2 TRI-LOBE [3. EA]	145	2261905	BRACKET/INDICATOR
26	2092600	PIN-DRIVE	77	2267800	GEAR- INDICATOR	146	2301310	SCREW- 8-18X1/2"
28	2262605	PIN- BWGRD UPPER THREADED ZP	78	2372100	SCREW- 8-18 X 5/8	147	2264015	LIGHT/INDICATOR
29	9908236	WASHER- 1/4 FLAT ZINC [2.EA]	79	2355410	SHRINK TUBE- 3/8 OD X 2" [3.EA]	■	2991550	CLAMP COLLAR ASSEMBLY
30	2223100	NUT- TENSION 5/16-18 SS [2.EA]	80	2232360	PULLEY- CABLE DRUM	148	2071550	CLAMP COLLAR "A"
■	2991841	MOUNT- BOW ASSY, LNG FW 52" W/O BGRD	81	2261730	WASHER- NYLON A/T CON	149	2071555	CLAMP COLLAR "B"
	2991842	MOUNT- BOW ASSY, LNG FW 62" W/O BGRD	82	2996247	TOP BEARING RACE /PINION DRIVE	150	2072621	PIN-KNURLED
31	2264246	ARM-UPPER LONG FW	83	2223468	SCREW- 8-32 X 7/16 [4.EA]	151	2281505	KNOB-CLAMP COLLAR
32	2293501	BUSHING- STAINLESS STEEL [4.EA]	84	2262607	PIN- CLEVIS ZP MAXXUM BWGRD	153	2071718	WASHER #10 NYLON RETAINING
33	2263500	BOLT- SHOULDER MAXXUM [2.EA]	85	2260805	CLIP- SPRING ZP MAX BG	155	2073102	NUT - HEX 1/4 - 28 SS
34	2774317	ARM-LOWER ASSEMBLY, LONG, FW, EXTRA [INCLUDES 39, 43-47, 86, 87]	86	2150400	PULL- GRIP	156	2071560	SPLIT COLLAR
			87	2151700	WASHER- EYE SHAFT(.562 OD)	157	2263804	STRAP - VELCRO 30.5"
35	2263913	MOTOR REST LONG FW	89	2994496	FOOT PEDAL/PLUG ASSEMBLY	200	2075120	URETHANE PAD
36	2265514	DECAL- MAXXUM MOTOR REST [2.EA]	90	2993705	PUSH- BUTTON MAGNET ASSY	205	2261540	INSERT-THREADED BOWPLATE (2 EA)
37	2261505	SPACER- MOTOR REST [6.EA]	91	2302732	SPRING- LOWER PEDAL			
38	2773986	BOWPLATE- W/INSERT	92	2260810	CLIP, REED SWITCH		62" ONLY	
39	2251601	ROPE (40"), MAXXUM MOUNT	95	2280115	KNOB- SPEED CONTROL (VAR)	158	2030710	CONNECTOR BUTT [2.EA]
40	2261708	WASHER- 3/8X1/2X.010 SS [2.EA]	96	2263000	E-RING THU-ARC	159	2030317	WIRE EXTENSION 18" RED
41	2267318	BEARING NYLINER [2.EA]	97	2266413	TENSION SCREW PLATE FTPEDAL	160	2030316	WIRE EXTENSION 18" BLACK
42	2263434	SCREW, 8-18X1" PPH [2.EA]	*98	2260511	PIN- PIVOT A/T FT PDL	161	2375400	SHRINK TUBE 1/4ODX1-3/4 [2.EA]
43	2152610	SPRING- PIN LOCKBAR [2.EA]	99	2774550	FT PEDAL BASE/PIN ASSEMBLY			
44	2233600	LOCK BAR- BOW MOUNT	100	2262301	PULLEY- FOOT PEDAL			
45	2233602	LOCK BAR REAR - ZINC	101	2223430	SCREW- #8X3/4 PPH TYPE 25 SS [4.EA]			
46	2152700	SPRING- LOCKBAR CAD.PLTD	103	2266400	COVER- PULLEY			
47	2262703	SPRING STOP- MAXXUM	104	2301310	SCREW- 8-18 X 1/2 [4.EA]			
48	2153604	EYE SHAFT- 2LOCKBAR LG PLTD	105	2264056	CNTROL BOARD ASSEMBLY 24-36V MAX			
49	2260506	HINGE-PIN HEADLESS ZINC	106	2365107	INSULATING PAD (2.3X3.2)			
50	2293811	YOKE- MAXXUM MOUNT, POLYPROPYLENE	110	2223455	SCREW- 10-32 X 1/2" [2.EA]			
■	2772016	TUBE W/BEARING RACE ASSEMBLY 52"	111	2211410	EXTENSION CABLE- SONAR ONLY			
	2772014	TUBE W/BEARING RACE ASSEMBLY 62"						

\* This item is part of an assembly. This item cannot be sold separately due to machining and /or assembly that is required.

**THIS IS A UNIVERSAL MULTI-VOLTAGE DIAGRAM. DOUBLE CHECK YOUR MOTORS VOLTAGE FOR PROPER CONNECTIONS  
 CECI EST UN SCHÉMA À TENSION MULTIPLE UNIVERSEL. RÉVÉRIFIEZ LA TENSION DE VOTRE MOTEUR POUR BIEN LE BRANCHER.**

Maxxum 70 is 24-volt only!

