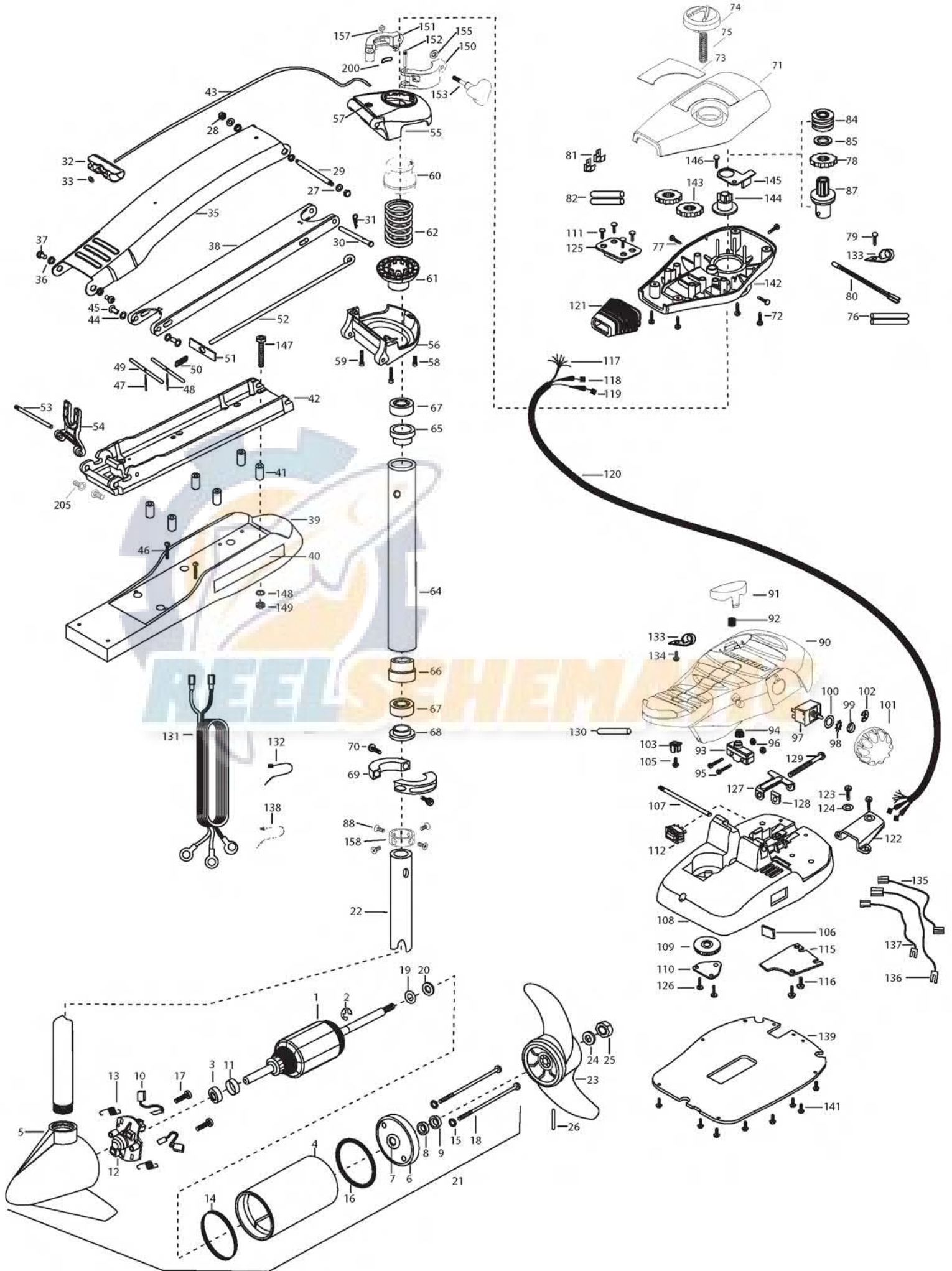


MAX55/SC - 52  
55 lbs Thrust  
12 Volt 50 Amps  
52" SHAFT

for use with "N" serial numbers  
2-year warranty



1	2-100-121	ARMATURE ASSEMBLY 12V 3.625 5SPC 55#	55	2772319	BRACKET BASE TOP/EYELET ASSEMBLY	116	2332103	SCREW-6-20 X 3/8 THD SS [2.EA]
2	788-015	RETAINING RING	56	2991771	BRKT BTTM/BEARING FW ASSEMBLY	117	2261208	WIRE HARNESS, A/T FT. PHD
3	140-010	BALL BEARING	57	2772352	EYELET KIT	118	2267505	CABLE ASSY-RIGHT (5")
4	2-200-101	CENTER HOUSING ASSEMBLY 3.625 FW TXT	58	2263423	SCREW 5/16-18 X 1" SHCS ZINC	119	2267515	CABLE ASSY-LEFT (5")
5	2-300-196	BRUSH END HOUSING ASSEMBLY 3.62 SPCO	59	2263425	SCREW 5/16-18 X 2 1/2" SHCS [2.EA]	120	2265430	CABLE JACKET (5")
6	2-400-101	PLAIN END HOUSING ASSEMBLY	60	2071541	SPRING-SLEEVE UPPER	121	2265110	BOOT-CONTROL BOX
7	144-049	BEARING - FLANGE (SERVICE ONLY)	61	2071535	SPRING SLEEVE, LOWER	122	2265115	BOOT-FOOT PEDAL BASE
8	880-003	SEAL	62	2262706	SPRING, BOWGUARD, NIK PL	123	2372100	SCREW-8-18 X 5/8 THD SS [2.EA]
9	880-006	SEAL WITH SHIELD	64	2772016	TUBE W/BEARING RACE ASSEMBLY	124	2261714	WASHER-MAXXUM FT PDL [2.EA]
10	188-036	BRUSH ASSEMBLY [2.EA]	65	2272067	TUBE OUTER-24" 4 HOLES	125	2261901	BRACKET-CONDUIT
11	725-050	BRUSH RETENTION- PAPER TUBE	66	2266260	BEARING RACE	126	2301310	SCREW-8-18 X 1/2 SS [2.EA]
12	738-036	BRUSH PLATE W/HOLDER	67	2266220	BEARING RACE-STEEL	127	2263210	BRACKET-CONDUIT ADJUSTMEN
13	975-040	SPRING - TORSION [2.EA]	68	2266000	BEARING BALL-STEEL [2.EA]	128	2263104	NYLOCK KEEPER
14	337-036	GASKET	69	2266115	BEARING CONE	129	2263463	SCREW-1/4-20 X 2" STL PPH
15	701-008	O-RING, THRU-BOLT [2.EA]	70	2771617	COLLAR HALF-ZINC- 2 PER KIT	130	2355410	SHRINK TUBE-3/8 OD X 2"
16	701-081	O-RING	71	2263452	SCREW-1/4-20 X 3/4" SHCS [2.EA]	131	2261225	LEADWIRE- BATTERY
17	830-007	SCREW-8-32 [2.EA]	72	2280201	CONTROL BOX COVER	132	2256300	TIE WRAP-5.5" BLACK
18	830-042	THRU-BOLT 10-32X8.83" [2.EA]	73	2372100	SCREW-8-18 X 5/8" THD SS [4.EA]	133	2263201	CLAMP WIRE HARNESS MICRO [2.EA]
19	990-067	WASHER- STEEL THRUST	74	2275601	DECAL-COVER MAX55/SC	134	2332103	SCREW-6-20 X 3/8 THDT SS
20	990-070	WASHER - NYLATRON [2.EA]	75	2990140	DIRECTIONAL INDICATOR	135	2260301	CONNECTING WIRE (SWITCH)
21	2097087	MOTOR ASSEMBLY 12V 3.625 5SPC FW 55#	76	2282730	SPRING-INDICATOR	136	2260312	WIRE,BLK W/WHT STRP 19 1/2
22	2032006	TUBE (COMP) 4 HOLE- 52"	77	2375400	SHRINK TUBE-1/4OD X 1-3/4" [2.EA]	137	2260322	WIRE,BLK W/BLUE STRP-12"
23	1378131	PROP KIT	78	2053414	SCREW-#8-32 X 1/2" TRI-LOBE [3.EA]	138	2256301	TIE WRAP-5.5" WHITE
24	2091160	PROPELLER (W.WEDGE 2)	79	2267800	GEAR-INDICATOR	139	2266414	BOTTOM PLATE MAX FOOT PED
25	2151726	WASHER-5/16 STD SS	80	2372100	SCREW-8-18 X 5/8" SS	141	9953104	SCREW-8 X 1/2" SS [8.EA]
26	2053101	NUT-PROP,NYLOC (MED) 5/16 SS	81	2264015	LIGHT/INDICATOR	142	2282500	CONTROL BOX
27	2092600	PIN-DRIVE (95-4HP'S) SS	82	2020713	TERMINAL-ADAPTOR, MAX [2.EA]	143	2267800	GEAR-INDICATOR [2.EA]
28	9008236	WASHER 1/4 FLAT ZINC [4.EA]	83	2335400	SHRINK TUBE-1/2 OD X 2" [2.EA]	144	2262221	INDICATOR-DRIVE
29	2223100	NUT- TENSION 5/16-18 SS [2 .EA]	84	2355410	SHRINK TUBE 3/8 OD X 2	145	2261905	BRACKET/INDICATOR
30	2262605	PIN- BWGRD UPPER THREADED	85	2232360	PULLEY-CABLE DRUM	146	2301310	SCREW-8-18 X 1/2" SS
31	2262607	CLEVIS PIN ZP MAXXUM BWGRD	86	2261730	WASHER-NYLON A/T CON B	147	2994830	BAG ASSEMBLY-MAXXUM
32	2260805	SPRING CLIP	87	2996247	TOP BEARING RACE/ PINION DR	*148	2263431	SCREW 1/4-20 X 3.5" PPH [6.EA]
33	2150400	PULL-GRIP	88	2223468	SCREW-8-32 X 7/16" ZN PL [4.EA]	*149	2261713	WASHER-1/4 FLAT SS [6.EA]
34	2151700	WASHER-EYE SHAFT(.562 OD)	89	2994496	FOOT PEDAL/PLUG ASSEMBLY (AT)	150	2263103	NUT-1/4-20 NYLOCK-JAM SS [6.EA]
35	2991841	MOUNT- BOW ASSEMBLY, W/O BGRD FW LNG	90	2283700	PUSH-BUTTON FOOT PEDAL	151	2260330	WIRE EXTENSION- 10GA BLK 9"
36	2264246	ARM-UPPER FW LONG	91	2302732	SPRING-LOWER PEDAL SS	152	2260331	WIRE EXTENSION- 10GA RED 9"
37	2293501	BUSHING, STAINLESS STEEL [4.EA]	92	2264020	SWITCH MOMENTARY	153	2260332	WIRE EXTENSION- 10GA WHT 9"
38	2263500	BOLT- SHOULDER (MAXXUM) [2.EA]	93	2265140	BOOT-MICROSWITCH	154	2260333	WIRE EXTENSION- 10GA YEL 9"
39	2994317	ARM-LOWER ASSEMBLY LONG FW,EXT	94	2262114	SCREW-MOUNTING/SWITCH [2.EA]	155	2355410	SHRINK TUBE 3/8 OD X 2 [2.EA]
40	2263913	MOTOR REST LONG MAXXUM	95	2233100	NUT-SWITCH MOUNT [2.EA]	156	2355410	SHRINK TUBE 1/4 OD X 1-3/4 [2.EA]
41	2265514	DECAL-MAXXUM,MOTOR REST [2.EA]	96	2264026	SWITCH-5 SPEED (ALL TERRAIN)	157	2991550	CLAMP COLLAR ASSEMBLY
42	2261505	SPACER, MOTOR REST [6.EA]	97	2261701	LOCKWASHER-STAR	158	2071550	CLAMP COLLAR "A"
43	2773986	BOWPLATE/INST ASSEMBLY STD FW	98	2263105	NUT-HEX	159	2071555	CLAMP COLLAR "B"
44	2251601	ROPE (40"), MAXXUM MOUNT	99	2261715	SPACER-SWITCH 5 SP MODELS	160	2072621	PIN-KNURLED
45	2261708	WASHER-3/8X1/2X.010" SS [2.EA]	100	2280110	KNOB-SPEED CONTROL (5 SPD)	161	2281505	KNOB-CLAMP COLLAR
46	2267318	BEARING NYLINER-[2.EA]	101	2263000	E-RING TRU-ARC#5133-43	162	2071718	WASHER #10 NYLON RETAINING
47	2263434	SCREW, 8-18 X 1" PPH SS [2.EA]	102	2260730	CONNECTOR 1/4 MALE TAB OD	163	2071716	WASHER - FLAT SS
48	2152610	SPRING-PIN LOCKBAR [2.EA]	103	2332103	SCREW-6-20 X 3/8" THD SS	164	2071560	SPLIT COLLAR
49	2233600	LOCK BAR- BOW MOUNT	104	2266413	TENSION SCREW PLATE FTPED	200	2075120	URETHANE PAD
50	2233602	LOCK BAR, REAR - ZINC	105	2260511	PIN-PIVOT A/T FT PDL	205	2261540	INSERT-THREADED BOWPLATE (2 EA.)
51	2152700	SPRING-LOCKBAR CAD.PLTD	106	2992102	FT PED BASE/PIN ASSEMBLY SONAR			
52	2262703	SPRING STOP	107	2262301	PULLEY- FOOT PEDAL			
53	2153604	EYE SHAFT-2LOCKBAR LONG -PL	108	2266400	COVER-PULLEY STAMPING			
54	2260506	HINGE-PIN HEADLESS ZINC	109	2223430	SCREW- #8 X3/4 SS PPH TYPE 25 [4.EA]			
55	2293811	YOKE,MAX MNT-POLYPROPYLENE	110	2254031	SWITCH-M0M/OFF/CON			
56	2991762	BOWGUARD ASSEMBLY- FT CTRL FW	111	2266412	SWITCH PLATE, FT PEDAL			
57			112					
58			113					
59			114					
60			115					
61								
62								
63								
64								
65								
66								
67								
68								
69								
70								
71								
72								
73								
74								
75								
76								
77								
78								
79								
80								
81								
82								
83								
84								
85								
86								
87								
88								
89								
90								
91								
92								
93								
94								
95								
96								
97								
98								
99								
100								
101								
102								
103								
104								
105								
106								
107								
108								
109								
110								
111								
112								
113								
114								
115								
116								
117								
118								
119								
120								
121								
122								
123								
124								
125								
126								
127								
128								
129								
130								
131								
132								
133								
134								
135								
136								
137								
138								
139								
140								
141								
142								
143								
144								
145								
146								
147								
148								
149								
150								
151								
152								
153								
154								
155								
156								
157								
158								
159								
160								
161								
162								
163								
164								
165								
166								
167								
168								
169								
170								
171								
172								
173								
174								
175								
176								
177								
178								
179								
180								
181								
182								
183								
184								
185								
186								
187								
188								
189								
190								
191								
192								
193								
194								
195								
196								
197								
198								

