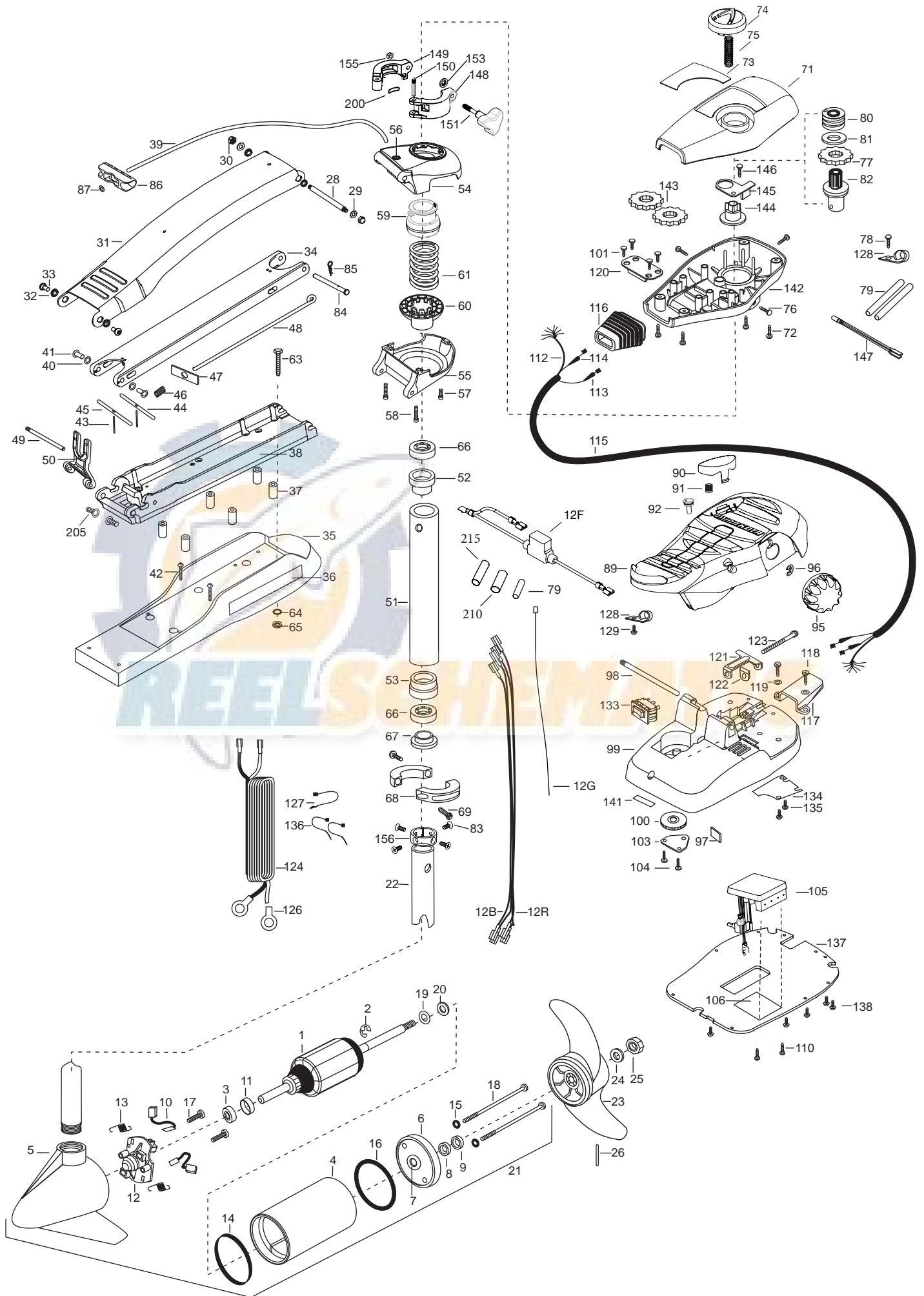


**MAXXUM 70**  
**70 lbs Thrust**  
**24 Volt 42 Amps**  
**42" SHAFT**

for use with "N" serial numbers  
2-year warranty



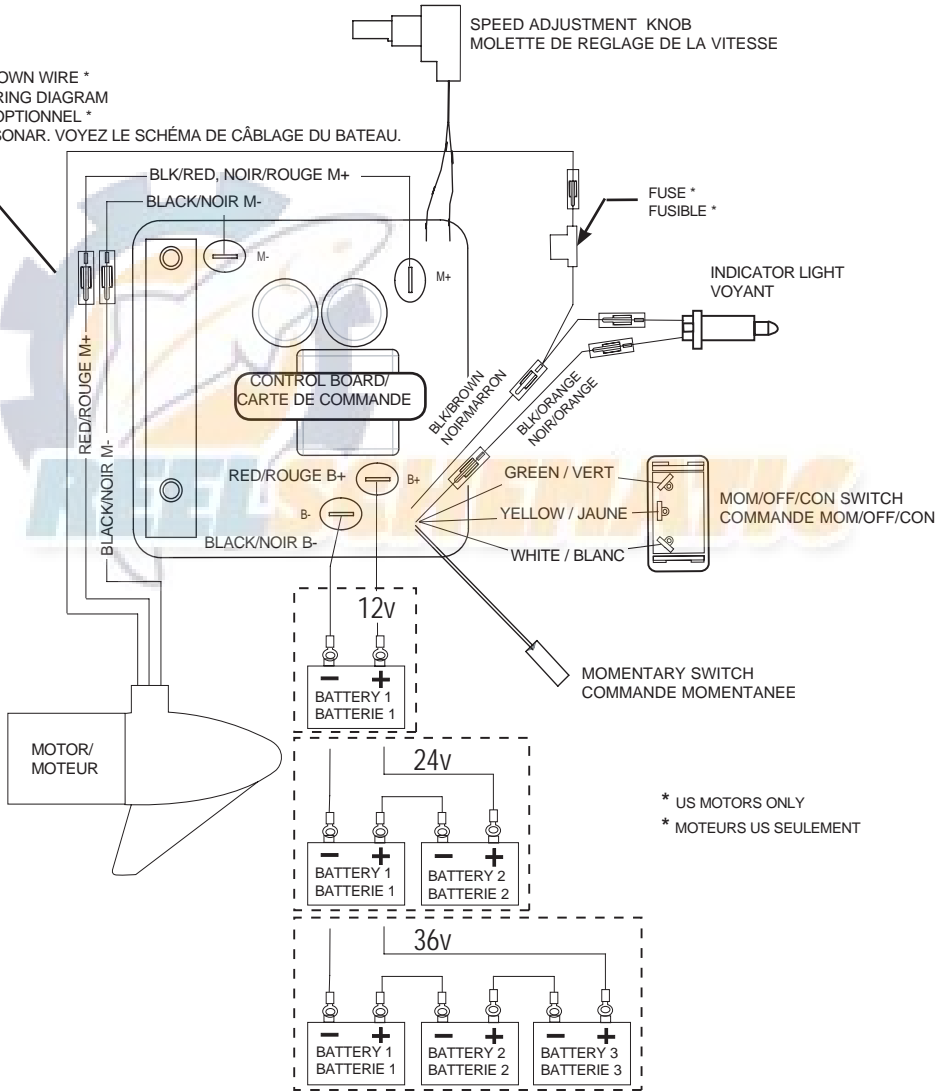
|     |           |   |     |         |                                     |      |         |                                  |
|-----|-----------|---|-----|---------|-------------------------------------|------|---------|----------------------------------|
| 1   | 2-100-119 | ARMATURE ASSEMBLY   | ■   | 2772012 | TUBE W/BEARING RACE ASSEMBLY        | 112  | 2261220 | WIRE HARNESS AT & MAX            |
| 2   | 788-015   | RETAINING RING  | 51  | 2272069 | TUBE OUTER-21" 4 HOLES              | 113  | 2267505 | CABLE ASSEMBLY- RIGHT (5')       |
| 3   | 140-010   | BALL BEARING  | 52  | 2266260 | BEARING RACE                        | 114  | 2267515 | CABLE ASSEMBLY- LEFT (5')        |
| 4   | 431-005   | CENTER HOUSING ASSEMBLY                                     | 53  | 2266220 | BEARING RACE- STEEL                 | 115  | 2265430 | CABLE JACKET (5')                |
| 5   | 421-065   | HOUSING BRUSH END 3.62                                      | ■   | 2991762 | BOWGUARD ASSEMBLY- FT CTRL,FW       | 116  | 2265110 | BOOT- CONTROL BOX                |
| 6   | 2-400-101 | PLAIN END HOUSING ASSEMBLY                                  | 54  | 2772319 | BRACKET BASE TOP/ EYELET ASSEMBLY   | 117  | 2265115 | BOOT- FOOT PEDAL BASE            |
| 7   | 144-049   | BEARING - FLANGE (SERVICE CENTER ONLY)                      | *55 | 2991771 | BRKT BOTTOM/BEARING FW ASSEMBLY     | 118  | 2372100 | SCREW- 8-18X5/8 THD [2.EA]       |
| 8   | 880-003   | SEAL  | 56  | 2772352 | EYELET- KIT                         | 119  | 2261714 | WASHER- MAXXUM FT PDL [2.EA]     |
| 9   | 880-006   | SEAL WITH SHIELD  | 57  | 2263423 | SCREW 5/16-18 X 1" SHCS ZINC        | 120  | 2261901 | BRACKET- CONDUIT                 |
| 10  | 188-037   | BRUSH ASSEMBLY [2.EA]                                       | 58  | 2263425 | SCREW 5/16-18 X 2 1/2" SHCS [2.EA]  | 121  | 2263210 | BRACKET- CONDUIT ADJUST          |
| 11  | 725-050   | BRUSH RETENTION- PAPER TUBE                                 | 59  | 2071541 | SPRING SLEEVE- UPPER                | 122  | 2263104 | NYLOCK KEEPER                    |
| 12  | 738-036   | BRUSH PLATE W/HOLDER  | 60  | 2071535 | SPRING SLEEVE- LOWER                | 123  | 2263463 | SCREW- 1/4-20X2" STL PPH         |
| 12B | 640-004   | LEADWIRE BLACK 10 GA  | 61  | 2262712 | SPRING- BOWGUARD, NIK PL            | 124  | 2261233 | LEADWIRE- A/T VARIABLE           |
| 12R | 640-105   | LEADWIRE RED 10 GA  | ■   | 2994830 | BAG ASSEMBLY- MAXXUM                | 124A | 2060310 | FUSED GROUND WIRE                |
| 13  | 975-040   | SPRING - TORSION [2.EA]                                     | *63 | 2263431 | SCREW- 1/4-20 X 3.5 PPH [6.EA]      | 126  | 2020700 | TERMINAL RING- 3/8" [2.EA]       |
| 14  | 337-036   | GASKET  | *64 | 2261713 | WASHER- 1/4 FLAT S/S [6.EA]         | 127  | 2256300 | TIE WRAP- 5.5' BLACK             |
| 15  | 701-008   | O-RING, THRU-BOLT [2.EA]                                    | *65 | 2263103 | NUT- 1/4-20 NYLOCK-JAM SS [6.EA]    | 128  | 2263201 | CLAMP WIRE HARNESS MICRO [2.EA]  |
| 16  | 701-081   | O-RING  | 66  | 2266000 | BEARING BALL- STEEL [2.EA]          | 129  | 2332103 | SCREW- 6-20X3/8 THD (SS)         |
| 17  | 830-007   | SCREW-8-32 [2.EA]   | *67 | 2266115 | BEARING CONE                        | 133  | 2254031 | SWITCH- MOM/OFF/CON              |
| 18  | 830-008   | THRU-BOLT 10-32X9.2 [2.EA]                                  | *68 | 2261619 | COLLAR HALF- ZINC [2.EA]            | 134  | 2266412 | SWITCH PLATE- FT PEDAL           |
| 19  | 990-067   | WASHER- STEEL THRUST  | *69 | 2263452 | SCREW- 1/4-20X3/4 [2.EA]            | 135  | 2332103 | SCREW- 6-20X3/8 THD SS [2.EA]    |
| 20  | 990-070   | WASHER- NYLATRON  | 71  | 2280201 | CONTROL BOX COVER                   | 136  | 2256301 | TIE WRAP- 5.5" WHITE [2.EA]      |
| 21  | 2096030   | MOTOR ASSEMBLY 24V F/W                                      | 72  | 2372100 | SCREW- 8-18 X 5/8 THD [4.EA]        | 137  | 2774511 | BOTTOM PLATE- MAXXUM FT          |
| 22  | 2032003   | TUBE- COMPOSITE W/4 HOLE 42"                                | 73  | 2275604 | DECAL- COVER MAX70/FC               | 138  | 9953104 | SCREW-8 X 1/2" (SS) [5.EA]       |
| ■   | 1378131   | PROPELLER KIT   | 74  | 2990140 | DIRECTIONAL INDICATOR               | 139  | 2263455 | SCREW- #12-14X1/2 THR FRM [4.EA] |
| 23  | 2091160   | PROPELLER W.WEDGE 2   | 75  | 2282730 | SPRING - INDICATOR                  | 140  | 2265126 | BUMPER PAD- FOOT PEDAL [4.EA]    |
| 24  | 2151726   | WASHER-5/16 SS  | 76  | 2053414 | SCREW- 8-32 X 1/2 TRI-LOBE [3. EA]  | 141  | 2266610 | DECAL- ON/OFF SWITCH             |
| 25  | 2053101   | NUT-PROP NYLOC  | 77  | 2267800 | GEAR- INDICATOR                     | 142  | 2282500 | CONTROL BOX- PLASTIC             |
| 26  | 2092600   | PIN-DRIVE   | 78  | 2372100 | SCREW- 8-18 X 5/8                   | 143  | 2267800 | GEAR- INDICATOR [2.EA]           |
| 28  | 2262605   | PIN- BWGRD UPPER THREADED ZP                                | 79  | 2355410 | SHRINK TUBE- 3/8 OD X 2" [3.EA]     | 144  | 2262221 | INDICATOR- DRIVE                 |
| 29  | 9908236   | WASHER- 1/4 FLAT ZINC [2.EA]                                | 80  | 2232360 | PULLEY- CABLE DRUM                  | 145  | 2261905 | BRACKET/INDICATOR                |
| 30  | 2223100   | NUT- TENSION 5/16-18 SS [2.EA]                              | 81  | 2261730 | WASHER- NYLON A/T CON               | 146  | 2301310 | SCREW- 8-18X1/2"                 |
| ■   | 2991840   | MOUNT- ASSEMBLY, W/O BG, STD FW MAX                         | 82  | 2996247 | TOP BEARING RACE /PINION DRIVE      | 147  | 2264015 | LIGHT/INDICATOR                  |
| 31  | 2264241   | ARM-UPPER STD FW  | 83  | 2223468 | SCREW- 8-32 X 7/16 [4.EA]           | 148  | 2211410 | EXTENSION CABLE- SONAR           |
| 32  | 2293501   | BUSHING- STAINLESS STEEL [4.EA]                             | 84  | 2262607 | PIN- CLEVIS ZP MAXXUM BWGRD         | ■    | 2991550 | CLAMP COLLAR ASSEMBLY            |
| 33  | 2263500   | BOLT- SHOULDER MAXXUM [2.EA]                                | 85  | 2260805 | CLIP- SPRING ZP MAX BG              | 149  | 2071550 | CLAMP COLLAR "A"                 |
| 34  | 2774315   | ARM-LOWER ASSEMBLY,STD,FW,EXTRA [INCLUDES 39, 43-47, 86,87] | 86  | 2150400 | PULL- GRIP                          | 150  | 2071555 | CLAMP COLLAR "B"                 |
|     |           |   | 87  | 2151700 | WASHER- EYE SHAFT(.562 OD)          | 151  | 2072621 | PIN-KNURLED                      |
| 35  | 2263912   | MOTOR REST (STD) FW   | 89  | 2994496 | FOOT PEDAL/PLUG ASSEMBLY            | 152  | 2281505 | KNOB-CLAMP COLLAR                |
| 36  | 2265514   | DECAL- MAXXUM MOTOR REST [2.EA]                             | 90  | 2993705 | PUSH- BUTTON MAGNET ASSY            | 154  | 2071718 | WASHER #10 NYLON RETAINING       |
| 37  | 2261505   | SPACER- MOTOR REST [6.EA]                                   | 91  | 2302732 | SPRING- LOWER PEDAL                 | 155  | 2071716 | WASHER - FLAT SS                 |
| 38  | 2773987   | BOWPLATE- W/INSERT  | 92  | 2260810 | CLIP, REED SWITCH                   | 157  | 2071560 | SPLIT COLLAR                     |
| 39  | 2251601   | ROPE (40"), MAXXUM MOUNT                                    | 95  | 2280115 | KNOB- SPEED CONTROL (VAR)           | 158  | 2263804 | STRAP - VELCRO 30.5"             |
| 40  | 2261708   | WASHER- 3/8X1/2X.010 SS [2.EA]                              | 96  | 2263000 | E-RING THU-ARC                      | 200  | 2075120 | URETHANE PAD                     |
| 41  | 2267318   | BEARING NYLINER [2.EA]                                      | 97  | 2266413 | TENSION SCREW PLATE FTPEDAL         | 205  | 2261540 | INSERT-THREADED BOWPLATE (2 EA)  |
| 42  | 2263434   | SCREW, 8-18X1" PPH [2.EA]                                   | *98 | 2260511 | PIN- PIVOT A/T FT PDL               | 210  | 2335400 | SHRINK TUBE-1/2" OD X 2" (2 EA)  |
| 43  | 2152610   | SPRING- PIN LOCKBAR [2.EA]                                  | 99  | 2774550 | FT PEDAL BASE/PIN ASSEMBLY          | 215  | 2375400 | SHRINK TUBE-1/4" OD X 1 3/4"     |
| 44  | 2233600   | LOCK BAR- BOW MOUNT   | 100 | 2262301 | PULLEY- FOOT PEDAL                  |      |         |                                  |
| 45  | 2233602   | LOCK BAR REAR - ZINC  | 101 | 2223430 | SCREW- #8X3/4 PPH TYPE 25 SS [4.EA] |      |         |                                  |
| 46  | 2152700   | SPRING- LOCKBAR CAD.PLTD                                    | 103 | 2266400 | COVER- PULLEY                       |      |         |                                  |
| 47  | 2262703   | SPRING STOP- MAXXUM   | 104 | 2301310 | SCREW- 8-18 X 1/2 [4.EA]            |      |         |                                  |
| 48  | 2153602   | EYE SHAFT-2LOCKBAR STD                                      | 105 | 2264056 | CNTROL BOARD ASSEMBLY 24-36V MAX    |      |         |                                  |
| 49  | 2260506   | HINGE-PIN HEADLESS ZINC                                     | 106 | 2365107 | INSULATING PAD (2.3X3.2)            |      |         |                                  |
| 50  | 2293811   | YOKE- MAKXUM MOUNT,POLYPROPYLENE                            | 110 | 2223455 | SCREW- 10-32 X 1/2" [2.EA]          |      |         |                                  |

\* This item is part of an assembly. This item cannot be sold separately due to machining and /or assembly that is required.

**THIS IS A UNIVERSAL MULTI-VOLTAGE DIAGRAM. DOUBLE CHECK YOUR MOTORS VOLTAGE FOR PROPER CONNECTIONS  
 CECI EST UN SCHÉMA À TENSION MULTIPLE UNIVERSEL. REVÉRIFIEZ LA TENSION DE VOTRE MOTEUR POUR BIEN LE BRANCHER.**

Maxxum 70 is 24-volt only!

OPTIONAL BROWN WIRE \*  
 SEE BOAT WIRING DIAGRAM  
 FIL MARRON OPTIONNEL \*  
 ÉQUIPÉS DE SONAR. VOYEZ LE SCHÉMA DE CÂBLAGE DU BATEAU.



\* US MOTORS ONLY  
 \* MOTEURS US SEULEMENT