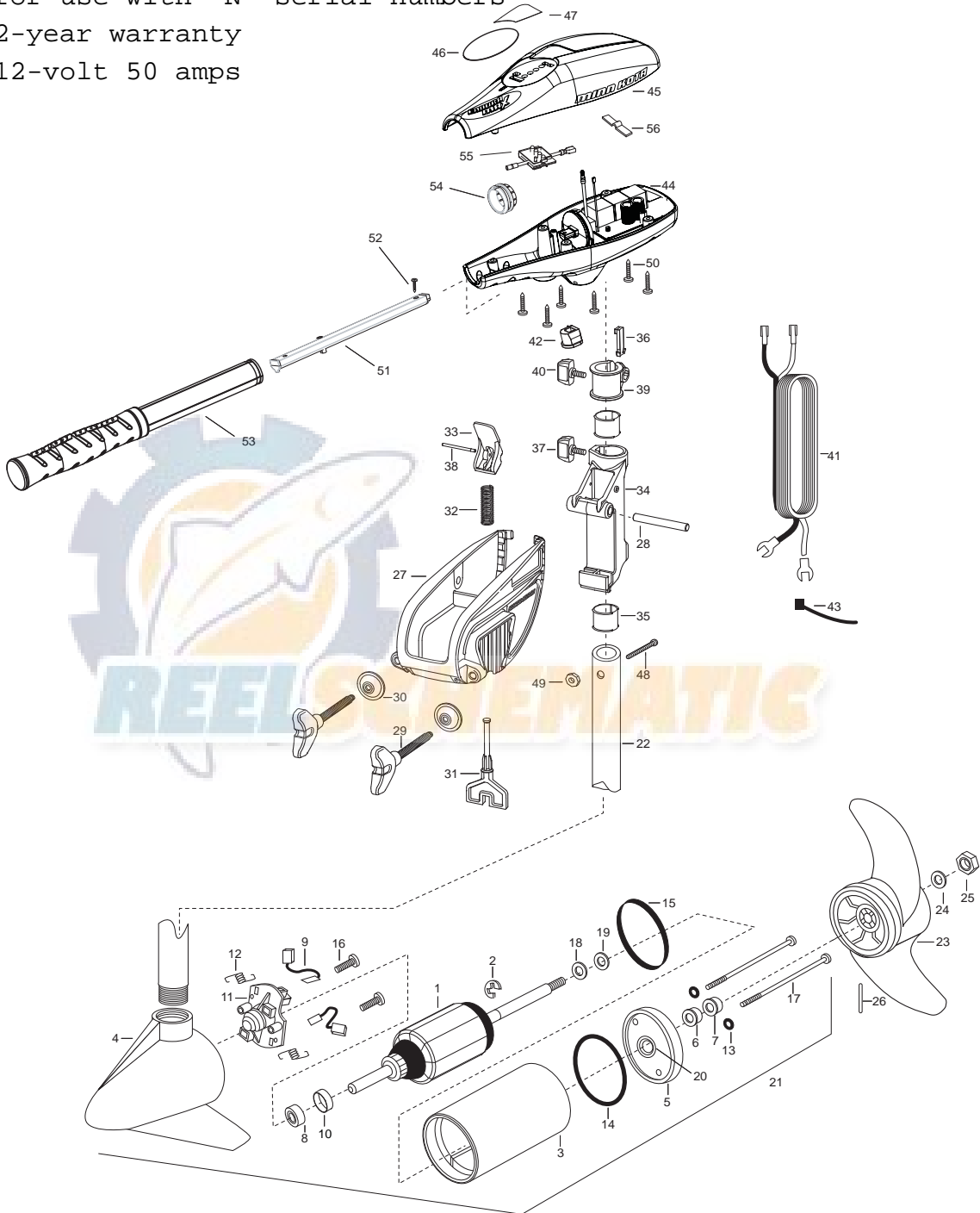


# ENDURA MAX 55 PARTS DIAGRAM

for use with "N" serial numbers

2-year warranty

12-volt 50 amps



# ENDURA MAX 55 (36" & 42") PARTS LIST

In the U.S.A., replacement parts may be ordered directly from MINN KOTA Parts Dept., 121 Power Dr., Mankato, MN 56002-8129. In Canada, parts may be ordered from any of the Canadian Authorized Service Centers. Visit [minnkotamotors.com](http://minnkotamotors.com) for a current listing. Be sure to provide the MODEL and SERIAL number of your motor when ordering parts. Please use the correct part numbers from the parts list. Payment for any parts ordered from the MINN KOTA parts department may be by Discover Card, Master Card or VISA. To order call 1-800-227-6433 or FAX 1-800-527-4464.

| Item | Part Number | Description                                  | Item | Part Number | Description                               |
|------|-------------|--|------|-------------|---|
| 1    | 2-100-121   | ARMATURE ASSEMBLY 12v 3.62                   | *27  | 2061910     | BRACKET                                   |
| 2    | 788-015     | RETAINING RING                               | 28   | 2060510     | PIN-HINGE                                 |
| 3    | 2-200-101   | HOUSING ASSEMBLY CENTER 3.62 TXT             | *29  | 2061300     | SCREW-CLAM [2.EA]                         |
| 4    | 421-065     | BRUSH END HOUSING ASSEMBLY 3.62              | *30  | 2011710     | WASHER-CLAMP SCREW [2.EA]                 |
| 5    | 2-400-101   | PLAIN END HOUSING ASSEMBLY 3.62              | 31   | 2063605     | T-BAR, PLASTIC                            |
| 6    | 880-003     | SEAL   | 32   | 2062706     | SPRING- (T-BAR)                           |
| 7    | 880-006     | SEAL W/SHIELD                                | 33   | 2067201     | LEVER-TILT BLACK                          |
| 8    | 140-010     | BALL BEARING                                 | 34   | 2061810     | HINGES-PLASTIC                            |
| 9    | 188-036     | BRUSH ASSEMBLY [2.EA]                        | 35   | 2037301     | BUSHING-HINGE [2.EA]                      |
| 10   | 725-050     | BRUSH RETENTION - PAPER TUBE                 | 36   | 2062800     | TENSION BLOCK-SNAP IN                     |
| 11   | 738-086     | BRUSH PLATE W/HOLDER 3.62                    | 37   | 2011385     | SCREW, TENSION/KNOB                       |
| 12   | 975-040     | SPRING-TORSION [2.EA]                        | 38   | 2060515     | PIN, TILT LEVER                           |
| 13   | 701-007     | O-RING- THRU BOLT [2.EA]                     | 39   | 2061520     | COLLAR-DEPTH                              |
| 14   | 701-039     | O-RING MK406460                              | 40   | 2011365     | SCREW-COLLAR/NEW KNOB                     |
| 15   | 701-041     | O-RING                                       | 41   | 2992523     | LEADWIRE<br>(WITH 14GA HD SPADE TERMINAL) |
| 16   | 830-007     | SCREW- SELF THREAD 8-32X1.0 [2.EA]           | 42   | 2062905     | STRAIN RELIEF                             |
| 17   | 830-042     | THRU BOLT 8-32X8.83 [2.EA]                   | 43   | 2026300     | TIE WRAP                                  |
| 18   | 990-067     | WASHER- STEEL THRUST                         | 44   | 2994040     | CONTROL BOX                               |
| 19   | 990-070     | WASHER- NYLATRON [AS REQUIRED]               | 45   | 2060225     | CONTROL BOX COVER                         |
| 20   | 144-049     | FLANGE BEARING (SERVICE ONLY)                | 46   | 2065718     | DECAL COVER ENDURA MAX 55                 |
| 21   | 2097083     | MOTOR ASSEMBLY 12 V 3.62 VARIABLE SPD 36"    | 47   | 2065730     | COVER DECAL                               |
| 21   | 2097084     | MOTOR ASSEMBLY 12 V 3.62 VARIABLE SPD 42"    | 48   | 2033401     | SCREW-10-24 X 1-3/4                       |
| 22   | 2032046     | TUBE, COMPOSITE 36"                          | 49   | 2383124     | NUT-10-24 HEX                             |
| 22   | 2032047     | TUBE, COMPOSITE 42"                          | 50   | 2012100     | SCREW-8-18 X 5/8 [6.EA]                   |
| ■    | 1378121     | PROP W/DRIVE PIN, WASHER, NUT KIT            | 51   | 2990924     | INNER HANDLE ASSEMBLY                     |
| 23   | 2091170     | PROPELLER 3.62 HUB DIA                       | 52   | 2012102     | SCREW                                     |
| 24   | 2151726     | WASHER- 5/16 STD SS                          | 53   | 2990913     | OUTER HANDLE ASSEMBLY                     |
| 25   | 2053101     | NUT-PROP NYLOCK (MED) SS                     | 54   | 2060009     | FRONT BEARING                             |
| 26   | 2092600     | PIN-DRIVE                                    | 55   | 2074070     | BATTERY METER 12V                         |
| ■    | 2771818     | BRACKET & HINGE ASSEMBLY<br>(INCLUDES 27-28) | 56   | 2302742     | SPRING, DETENT, OFF                       |
| ■    | 2771910     | BRACKET ASSEMBLY<br>(INCLUDES 27, 29, 30)    | ■    | 2883460     | SEAL AND O RING KIT                       |

\* This item is part of an assembly. This item cannot be sold separately due to machining and/or assembly that is required.

# WIRING DIAGRAM

