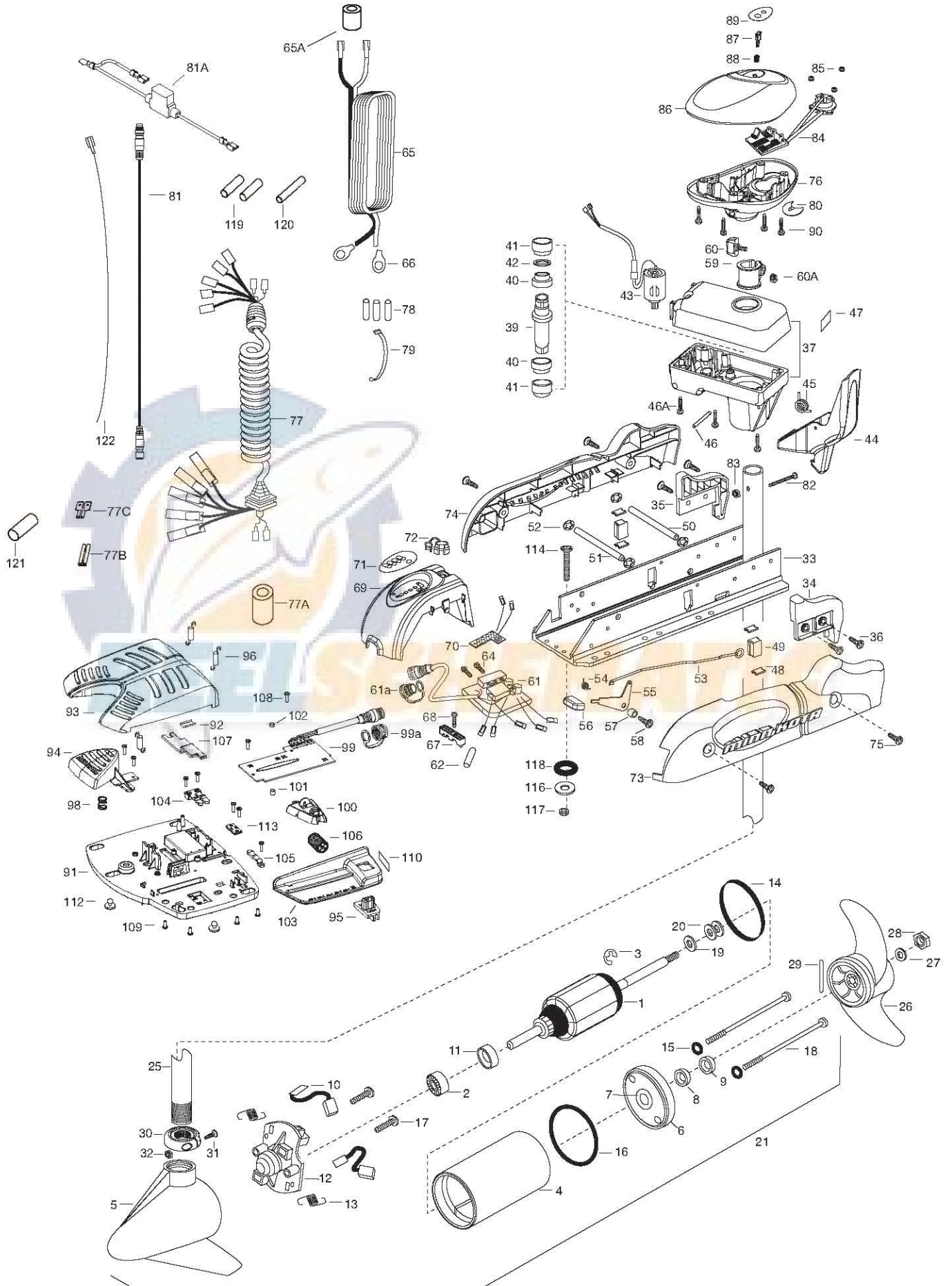


AUTOPILOT 70
70 LBS THRUST
24 VOLT 42 AMPS
54" OR 60" SHAFT

for use with "0" serial numbers
2-year warranty



1	2-100-119	ARMATURE ASSEMBLY 24V VARS TXT	*42	2304603	O-RING	79	2256300	TIE WRAP-5" BLACK	119	SHRINK TUBE-1/2" OD X 2"
2	140-010	BALL BEARING	43	2307050	MOTOR- DRIVE HOUSING HIGH SPD	80	2224702	INSERT- PLUG	120	2375400 SHRINK TUBE-1/4" OD X 1-3/4"
3	788-015	RETAINING RING	44	2307201	LATCH HANDLE PD/AP		2224700	INSERT- PLUG US2	121	SHRINK TUBE-3/4" ID X 2" W/ADHS
4	2-200-005	HOUSING ASSEMBLY CENTER 3.62 TXT	45	2302750	SPRING- LATCH TORSION PD/AP	81	2211415	UNIVERSAL SONAR II EXTENSION CABLE	122	LEADWIRE, BROWN
5	421-065	HOUSING -BRUSH END 3.62 TXT	46	2302627	PIN- ROLL ZINC	81A	2218200	FUSE HOLDER, US2 MOTORS ONLY		
	9421-168	HOUSING BRUSH END 3.62 SONAR 54"/60"	46A	2303407	SCREW - DRIVE HOUSING [6 EA]	82	2332102	SCREW-10-24 X 1-3/4 PPH Z/P		
6	2-400-101	PLAIN END HOUSING ASSEMBLY 3.625	47	2305564	DECAL-STOW/DEPLOY	83	2333101	NUT-HEX 10-24 ZCP		
7	144-049	BEARING - FLANGE (SERVICE ONLY)	48	2305110	PAD-PIVOT SUPT [4.EA]	84	2994058	CNTRL BRD/CMPSS ASSMBLY-AP		
8	880-003	SEAL	49	2305103	PIVOT PAD- NEW MTR'L [2.EA]	85	2302960	GROMMET-COMPASS [3.EA]		
9	880-006	SEAL WITH SHIELD	50	2300500	PIN-LATCH	86	2300237	CONTROL BOX COVER		
10	188-037	BRUSH ASSEMBLY [2.EA]	51	2300510	PIN-PIVOT	87	2304082	ACTUATOR- SWITCH ON/OFF AP		
11	725-035	BRUSH RETENTION- PAPER TUBE	52	2013100	NUT-SPEED [4.EA]	88	2302752	SPRING- ACTUATOR PD/AP SS		
12	738-036	BRUSH PLATE W/HOLDER	53	2303612	ROD-RELEASE RT/AP S	89	2305653	DECAL- COVER 70 PD/ AP		
13	975-040	SPRING - TORSION [2.EA]	54	2322700	SPRING-RELEASE LEVER		2305654	DECAL - COVER 70 PD / AP / US		
14	337-036	GASKET	55	2303710	LEVER-RELEASE	90	2372100	SCREW-8-18 X 5/8 THD CUT [4.EA]		
15	701-008	O-RING, THRU-BOLT [2.EA]	56	2300101	RELEASE-KNOB	■	2994725	FOOT PEDAL ASSEMBLY		
16	701-081	O-RING	57	2301700	SPACER-RELEASE LEVER	91	2304505	FOOT PEDAL BASE		
17	830-007	SCREW-8-32 [2.EA]	58	2303430	SCREW-1/4-20 X 5/8	92	2308501	WEAR PLATE FOOT PDL		
18	830-008	THRU-BOLT 10-32X9.2 [2.EA]	59	2031522	COLLAR- DRIVE (W/INSERT)	93	2300255	FOOT PEDAL, CORDED UPPER		
19	990-067	WASHER- STEEL THRUST	60	2011365	SCREW-COLLAR/NEW KNOB	94	2303723	BUTTON, MOMENTARY		
20	990-070	WASHER - NYLATRON [2.EA]	60A	2323104	NUT	95	2303722	BUTTON, MOM/CON		
21	2096031	MOTOR ASSEMBLY 24V 3.62 54"	61	2304067	CONTROL BOARD ASSEMBLY- 24V PD/AP	96	2302730	SPRING-LONG-UPPER PEDAL [3.EA]		
	2096032	MOTOR ASSEMBLY 24V 3.62 60"	61A	2320208	DUST PLUG	98	2302732	SPRING-LOWER PEDAL		
	2106035	MOTOR ASSEMBLY US2 24V 3.62 54"	62	2355410	SHRINK TUBE-3/8 ODX2	99	2304052	CONTROL BOARD ASSEMBLY-FT PDL		
	2106046	MOTOR ASSEMBLY US2 24V 3.62 60"	64	2303434	SCREW-8-32 X 5/8 [3.EA]	99A	2320207	DUST CAP		
25	2032076	TUBE-CARBON COMPOSITE 54"	65	2090651	LEADWIRE IOGA 44"	100	2308620	SLIDER, SPEED		
	2032074	TUBE-CARBON COMPOSITE 60"	65A	2307310	BEAD - FERRITE (CE MODELS ONLY)	101	2308409	MAGNET, 1/4 X 1/4		
■	1378131	PROPELLER KIT	66	2020700	TERMINAL RING [2.EA]	102	2778408	MAGNET, 1/4 X 1/8		
26	2091160	PROPELLER W/WEDGE 2	67	2321310	STRAIN RELIEF- BRACKET PD/AP	103	2300252	COVER, SPEED SELECTOR		
27	2151726	WASHER-5/16 SS	68	2323405	SCREW-1/4-20 X 5/8	104	2308606	SWITCH, DOUBLE FINGER		
28	2053101	NUT-PROP NYLOC	69	2306555	HOUSING- CENTER PD/AP	105	2308608	SWITCH, SINGLE FINGER		
29	2092600	PIN-DRIVE	70	2074071	BATTERY GAUGE - 24 VOLT	106	2307900	WHEEL, SPEED		
30	2301545	COLLAR- LATCH PD/AP	71	2316605	DECAL, BATTERY GAUGE	107	2308625	SLIDER, STEERING		
31	2303434	SCREW- 8-32X5/8 MACH PHCR	72	2302935	STRAIN RELIEF-DR. HOUSING	108	2302100	SCREW-6-20 X 1/2 [9.EA]		
32	2303112	NUT 8-32 NYLOC SS	73	2303960	SIDEPLATE (RIGHT)PD MK	109	2372103	SCREW-6.20 X 3/8 [4.EA]		
33	2301936	EXTRUSION- BASE MACHINED	74	2303965	SIDEPLATE(LEFT)PD MK	110	2316600	DECAL, ON/OFF SWITCH		
34	2303932	MOTOR REST- RIGHT 3-5/8	75	2303430	SCREW-1/4-20 X 5/8- [4.EA]	112	2994859	BAG ASSEMBLY- 5 RUBBER BUMPERS		
35	2303937	MOTOR REST- LEFT 3-5/8	76	2302515	CONTROL BOX PD/AP	113	2302907	STRN RLF PD FP		
36	2303430	SCREW 1/4-20X5/8 SELF TAP [4.EA]	77	2991285	COIL CORD WSTRAIN RELIEF 48, 54"	■	2994864	BAG ASSEMBLY- (BOLT,NUT,WASHERS)		
37	2771826	DRIVE HOUSING PD V2		2991287	COIL CORD WSTRAIN RELIEF 60"	*114	2263462	BOLT-MOUNTING-1/4X2 W/STG [6.EA]		
■	2882011	BUSHING/OUTSHAFTKIT (INCLUDES 39-42)	77A	2307313	FERRITE BEAD	*116	2261713	WASHER-1/4 [6.EA]		
*39	2302010	DRIVE HOUSING OUTPUT SHAFT	77B	2320715	ADAPTER-TAB .25 F-F	*117	2263103	NUT NYLOK 1/4-20 MTG [6.EA]		
*40	2307304	BUSHING- INNER [2.EA]	77C	2320710	TERMINAL-AMP (T-TAB)	*118	2301720	WASHER-MOUNTING RUBBER [6.EA]		
*41	2307305	BUSHING- OUTER [2.EA]	78	2065400	WIRE INSULATOR-LGE 1-3/4 [3.EA]	■	2888460	SEAL & ORING KIT		

* This item is part of an assembly. This item cannot be sold separately due to machining and /or assembly that is required.

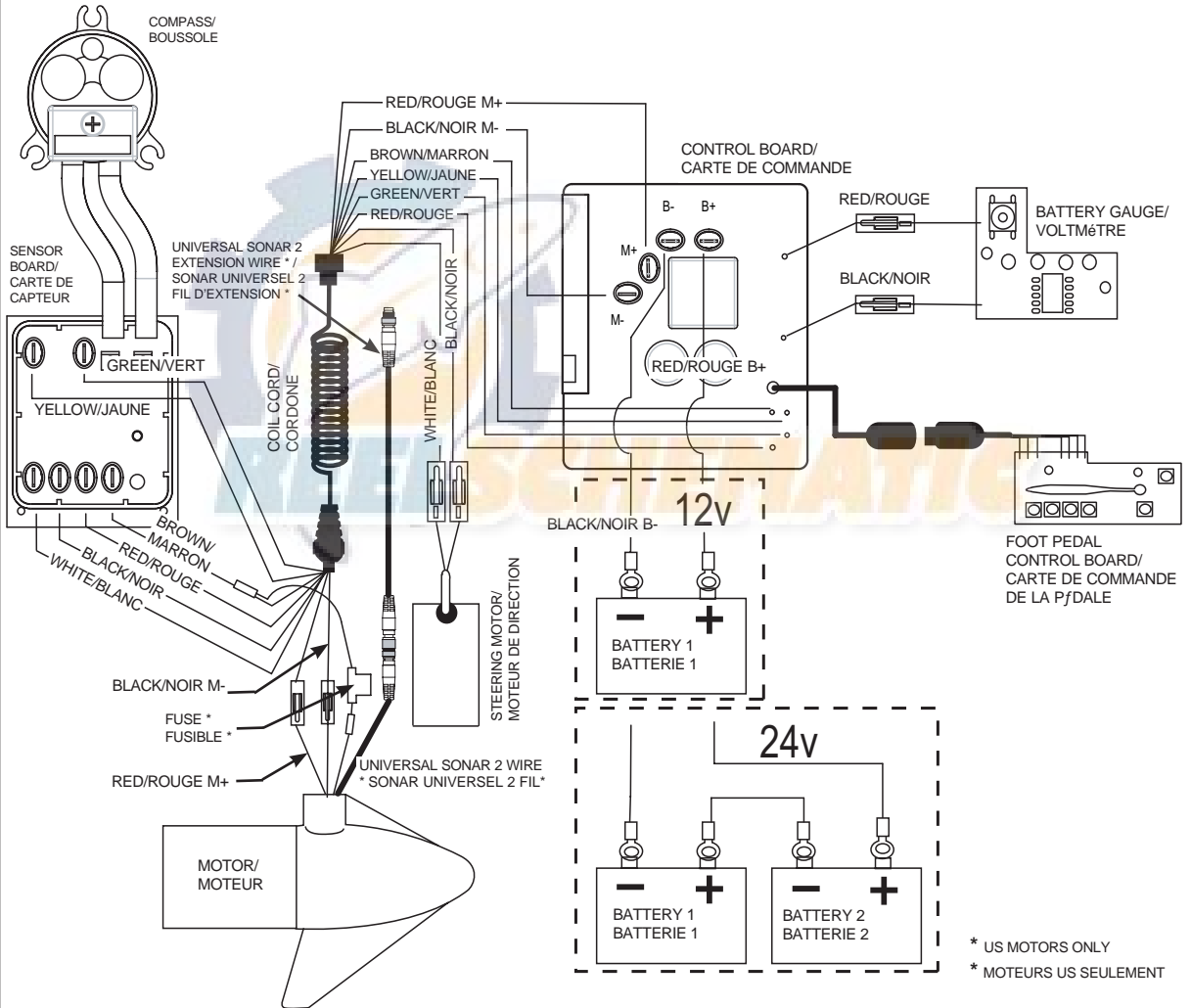
P/N 2314958

REV. U ECN 34323 12-12

12-24 VOLT MODELS

THIS IS A UNIVERSAL MULTI-VOLTAGE DIAGRAM. DOUBLE CHECK YOUR MOTORS VOLTAGE FOR PROPER CONNECTIONS.

70 AutoPilot is 24-volt only!



* US MOTORS ONLY
* MOTEURS US SEULEMENT