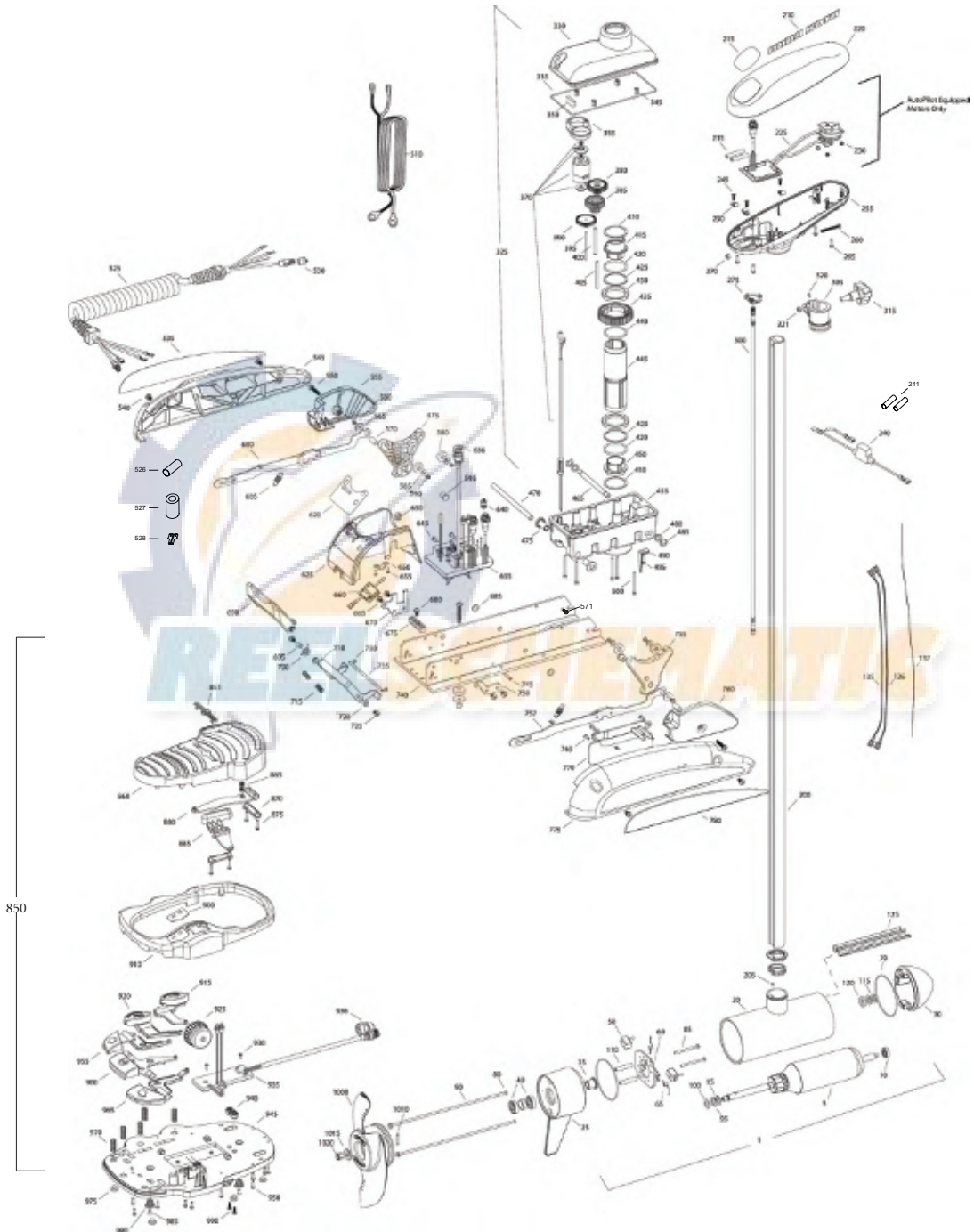


TERROVA 80
80 LBS THRUST
24 VOLT 56 AMPS
45", 54" OR 60" SHAFT

for use with "P" serial numbers
2-year warranty



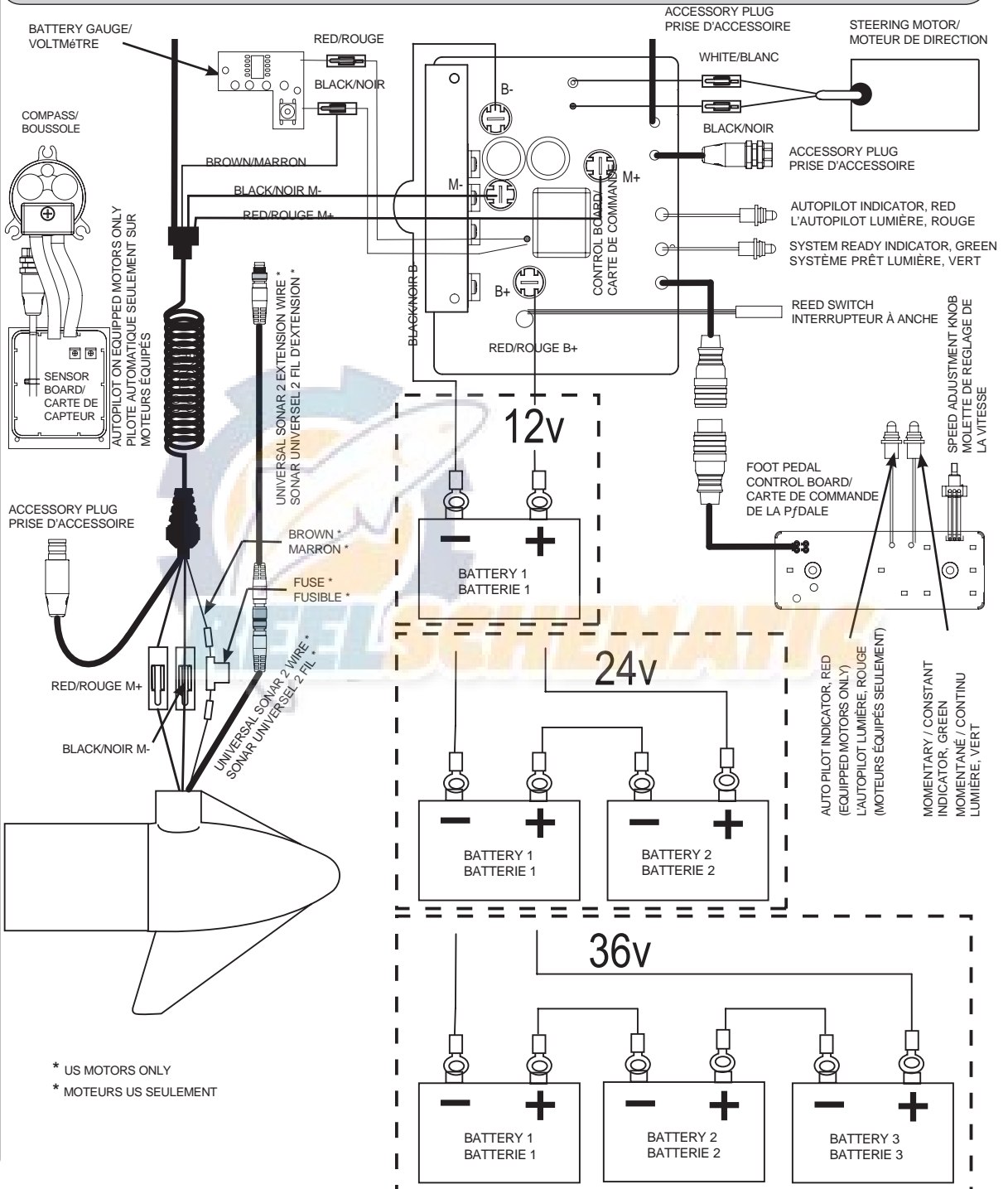
Item	P/N	Description	Qty	Item	P/N	Description	Qty
1	2777002	24V Motor 60" FW	1	265	2372100	Screw, 8-18 x .625	4
	2777001	24V Motor 54" FW	1	270	2333101	Nut, 10-24	1
	2777000	24V Motor 45" FW	1	275	2224700	Plug, ctrl box, US2 motors only	1
	2777004	24V Motor US2 60"	1		2224702	Plug, ctrl box	1
	2777003	24V Motor US2 54"	1	300	2211415	Universal sonar 2 extension cable	1
	2777005	24V Motor US2 45"	1	305	2771500	Depth collar assembly	1
5	2-100-214	Armature assembly	1	315	2260906	Knob (included in #305)	1
10	140-010	Bearing	1				
15	788-040	Retaining ring	1				
20		Included in #200 assembly		320	2321706	Washer (included in #305)	1
25	2-300-170	Brush end housing assembly	1	321	2323102	Nut (included in #305)	1
30	421-276	Plain end housing assembly STD	1	325	2997020	Steering housing	1
	9421-286	Plain end housing US2 60"	1	330	2326501	Steering housing top	1
	9421-285	Plain end housing US2 54"	1	335	2324604	O-ring, case seal	1
	9421-284	Plain end housing US2 45"	1	345	2305605	Roll pin 5/16	4
35	144-017	Flange bearing	1	350	2308601	Breather, filter	1
40	880-025	Seal	2	355	2328610	Cradle, motor	1
50	188-094	Brush	2	370	2777020	Motor, steering assembly	1
60	2-600-199	Brush plate assembly	1	380	2302255	Gear, cluster 3rd stage	1
65	975-041	Brush spring	2	385	2302250	Gear, cluster 2nd stage	1
70	701-043	O-ring, motor	2	390	2302245	Gear, cluster 1st stage	1
80	701-009	O-ring, thru-bolt	2	395	2302610	Shaft, gear 1st stage	1
85	830-027	Screw, 10-32 x 2	2	400	2302620	Shaft, gear 3rd stage	1
90	830-094	Thru-bolt	2	405	2302615	Shaft, gear 2nd stage	1
	830-095	Thru-bolt, Sonar only	2	410	2321704	Washer, thrust	2
95	990-051	Washer, steel	2	415	2321515	Liner, output tube	1
100	990-052	Washer, nylatron	2	420	2324608	O-ring, 224	2
110	973-025	Spacer, brush plate	2	425	2321720	Shim, O-ring	2
115	992-010	Washer, Belleville	2	430	2327308	Bearing, ball sealed	2
120	990-045	Spacer, thrust	1	435	2322200	Gear, output	1
125	582-013	Clip, retaining, short	1	440	2324601	O-ring, output gear	1
135	640-025	Leadwire, black	1	445	2322030	Tube, output machined	1
136	640-133	Leadwire, red	1	450	2321510	Collar, drive, bottom	1
137	640-317	Groundwire, brown, US2 only	1	455	2326506	Steering housing, Bottom	1
200	2777096	Tube, composite 60" FW	1	465	2322600	Pin, latch, zp	1
205		Included in #200 assembly		470	2322602	Pin, pivot, zp	1
210	2325665	Decal, cover	2	475	2327310	Bushing, pivot pin	2
215	2325674	Decal, ctrl box 80	1	480	2321702	Washer, flat .375	2
	2325675	Decal, ctrl box 80 US2	1	485	2263011	E-ring .375	2
	2325676	Decal, ctrl box 80 Autopilot	1	490	2322702	Spring, latch pin	2
	2325677	Decal, ctrl box 80 Autopilot & US2	1	495	2323410	Screw, 8-32 x .75	1
220	2320200	Cover, ctrl box	1	500	2323408	Screw, 8-32 x 2	7
225	2324032	Ctrl board, compass, Autpilot only	1	510	2090651	Leawire, 10 ga	1
230	2302960	Grommet, compass, Autopilot only	3	525	2991274	Coil cord, US2, 45"	1
235	2065400	Wire insulator	2		2991272	Coil cord, US2, 54" / 60"	1
240	2218200	Fuse holder, US2 only	1	526	2325401	Shrink Tube - 3/4" ID x 2" w/adhs	1
241	2375400	Shrink Tube-1/4" OD x 1 3/4"	2	527	2307313	Bead-Ferrite	1
245	2372100	Screw, 8-18 x .625	3	528	2320710	Terminal-Amp (T-Tab)	1
250	2052510	Cable clamp	3				
255	2322500	Ctrl box	1	530	2320202	Cap, dust, coil cord, non-AP only	1
260	2332102	Screw, 10-24	1	535	2325641	Decal, sideplate, left	1

* This item is part of an assembly. This item cannot be sold separately due to machining and /or assembly that is required.

Item	P/N	Description	Qty	Item	P/N	Description	Qty
540	2323404	Screw, 1/4-20	4	865	2322714	Spring, momentary	1
545	2321915	Sideplate, left	1	870	2321300	Clamp	2
550	2323403	Screw, 1/4-20 x .375	2	875	2223430	Screw, 8 x .75	4
555	2321925	Skid, left	1	880	2328600	Flex finger	1
560	2323422	Screw, 10-24 x .375	2	885	2323710	Button, momentary, left	1
565	2321700	Washer, #10 SS	2	900	2325660	Decal, foot pedal	1
570	2323500	Bolt, shoulder	2	910	2320205	Cover, heel-toe	1
575	2323905	Ramp, 4" left	1	915	2323725	Button, AP	1
580	2325115	Pad, rubber rest	4	920	2323715	Button, Mom/Con	1
585	2321706	Washer, #8	4	925	2320100	Knob, speed, foot pedal	1
590	2323412	Screw, 8-18 x .25	4	930	2332103	Screw, 6-20 x .375	2
595	2324705	Insert, ramp	2	935	2324021	Control board, foot pedal	1
600	2994202	Arm, release, left	1	936	2320207	Dust cap	1
605	2322710	Spring, extension	2	940	2322900	Strain relief, foot pedal	1
■	2770250	Cover, speed control with decal	1	945	2324500	Base plate, foot pedal	1
620	2325650	Decal, speed control	1	950	2301310	Screw, #8 x .5	10
625	2320210	Cover, speed control	1	955	2323730	Button, steer, left	1
630	2322901	Strain relief	1	960	2323735	Button, momentary	1
635	2324019	Control board, 24-36v	1	965	2323731	Button, steer, right	1
■	2884050	Switch-reed repair kit	1	970	2322704	Spring, foot pedal	5
636	2320208	Dust plug	1	975	2994859	Bumper, bag assy	1
640	2320203	Cap, dust, control board	1	980	2322706	Spring, barrel	2
645	2323406	Screw, 10-24 x .50 CRPH SS	2	985	2323420	Screw, 8-18 x .375	2
650	2321315	Holder, connector	1	990	2372100	Screw, 8-18 x .625	2
655	2332103	Screw, 6-20 x .375	2				
660	2074071	Battery meter, 24v	1	■	1378132	Propeller kit WW2	
665	2323402	Screw, 1/4-20 x .375	4	■	2994876	Propeller bag assy	
670	2321940	Bracket, strain relief	1	1000	2331160	Propeller WW2	1
675	2321310	Strain relief, wire	1	1010	2262658	Drive pin, large	1
680	2323405	Screw, 1/4-20 x .5	1	1015	2091701	Washer, prop, large	1
685	2013100	Speed nut, .375	2	1020	2093101	Nut, nylock, prop, large	1
690	2320215	Handle, release cover	1				
695	2301700	Bushing,	1	■	2994864	Mounting hardware bag assy	
700	2322701	Spring, release handle	1				
710	2320400	Handle, release FW	1	■	2889460	Seal & Oring Kit	
715	2322712	Spring, release handle	2				
720	2322604	Bushing, handle	2				
725	2332104	Screw, 1/4-20 x .625	2				
730	2323000	E-clip, 3/16, SS	2				
735	2322606	Pin, follower, handle	1				
740	2321901	Base extrusion, machined	1				
745	2322912	Spring pin,	2				
750	2321950	Bracket, sideplate	1				
755	2323900	Ramp, 4" right	1				
757	2994204	Arm, release, Right	1				
760	2321920	Skid, right	1				
765	2301310	Screw, 8-18 x .5	3				
770	2320220	Cover, access, FW	1				
775	2321910	Sideplate, right	1				
780	2325640	Decal, sideplate, right	1				
850	2994720	Foot pedal	1				
851	2326710	Plug, foot pedal	1				
860	2324400	Pedal, heel-toe	1				

Terra 80 is 24-volt only!

THIS IS A UNIVERSAL MULTI-VOLTAGE DIAGRAM. DOUBLE CHECK YOUR MOTORS VOLTAGE FOR PROPER CONNECTIONS



* US MOTORS ONLY
* MOTEURS US SEULEMENT