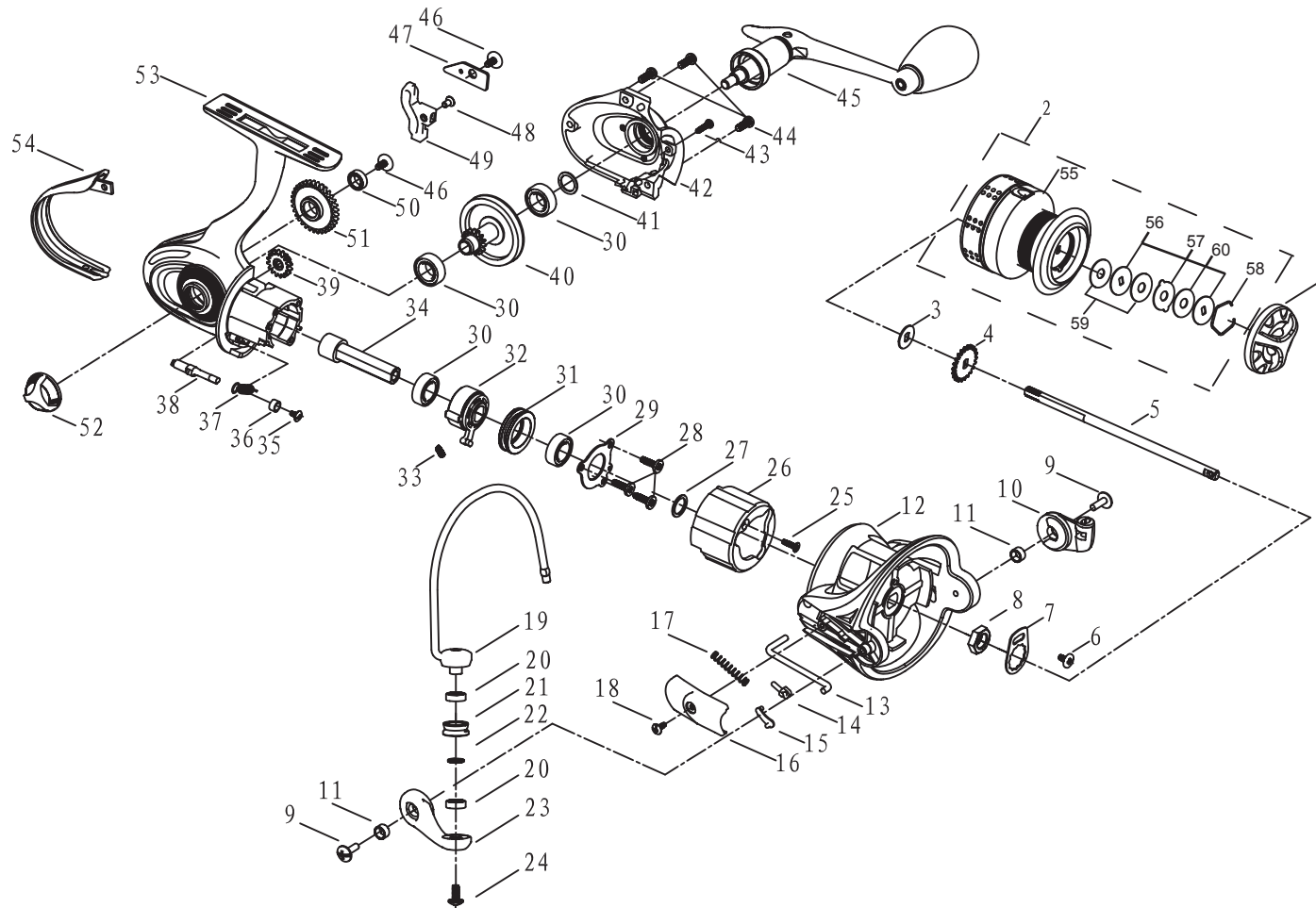


MITCHELL®



Model	M300PRO	M308PRO
NO	PARTS DESCRIPTION	M300PRO M308PRO
11	BUSHING(2)	1188261 1188261
12	ROTOR	1308697 1308713
13	BAIL TRIP LEVER	1308698 1308714
14	BAIL ARM SPRING GUIDE	1126272 1126272
15	BAIL ARM SPRING SHAFT	1252713 1252713
16	BAIL ARM COVER	1308699 1308715
17	BAIL ARM SPRING	1119106 1119106
18	BAIL ARM COVER SCREW	1125962 1125962
19	BAIL WIRE	1308700 1308716
20	ROLLER BALL BEARING(2)	1112125 1112125
21	LINE ROLLER	1252705 1252705
22	ROLLER WASHER	1110165 1110165
23	BAIL ARM	1308701 1308701
24	ROLLER SCREW	1126261 1126261
25	BODY HEAD COVER SCREW	1102139 1102139
26	BODY HEAD COVER	1308702 1308702
27	ONE WAY CLUTCH WASHER	1114764 1114764
28	ONE WAY CLUTCH SCREW(3)	1122123 1122123
29	ONE WAY CLUTCH COVER	1308703 1308703
30	BALL BEARING(4)	1252717 1252717
31	ONE WAY CLUTCH SUPPORT	1280475 1280475
32	ONE WAY CLUTCH ASSY(Including sleeve)	1102144 1102144
33	A/R PULLING SPRING	1308704 1308704
34	PINION GEAR	1308705 1308705
35	A/R SWITCH SCREW	1131798 1131798
36	A/R SWITCH BUSHING	1279733 1279733
37	A/R SPRING	1252722 1252722
38	A/R SWITCH	1308706 1308706
39	REDUCTION GEAR	1252732 1252732
40	MAIN GEAR	1252725 1252725
41	MAIN GEAR WASHER	1114764 1114764
42	SIDE COVER ASSY	1308707 1308717
43	SIDE COVER SCREW	1117984 1117984
44	SIDE COVER SCREW(3)	1126084 1309755
45	HANDLE ASSY	1308708 1308708
46	SCREW(2)	1188428 1188428
47	SLIDE CLIP	1121651 1126332
48	SLIDE SCREW	1126454 1126454
49	SLIDE	1279756 1279738
50	OSCILLATION GEAR BALL BEARING	1085326 1085326
51	OSCILLATION GEAR	1253701 1252730
52	HANDLE CAP	1308709 1308709
53	MAIN BODY ASSY	1308710 1308718
54	REAR COVER	1308711 1308719
55	SPOOL	1417712 1417711
56	KEY WASHER(2)	1085296 1085296
57	EARED WASHER	1085297 1085297
58	RETAINER RING	1385295 1385295
59	FELT WASHER(2)	1252752 1252752
60	DRAG FRICTION WASHER	1277089 1277089

NO	PARTS DESCRIPTION	M300PRO	M308PRO
1	DRAG KNOB ASSY	1308692	1308692
2	SPOOL ASSY	1308693	1308712
3	MAIN SHAFT WASHER	1178949	1178949
4	MAIN SHAFT RATCHET	1126316	1126316
5	MAIN SHAFT	1308694	1279725
6	ROTOR RETAINER SCREW	1131700	1131700
7	ROTOR RETAINER PLATE	1308695	1308695
8	ROTOR NUT	1085273	1085273
9	ROTOR ARM SCREW(2)	1309754	1309754
10	BAIL HOLDER	1308696	1308696

MIT SP 300PRO 308PRO 01