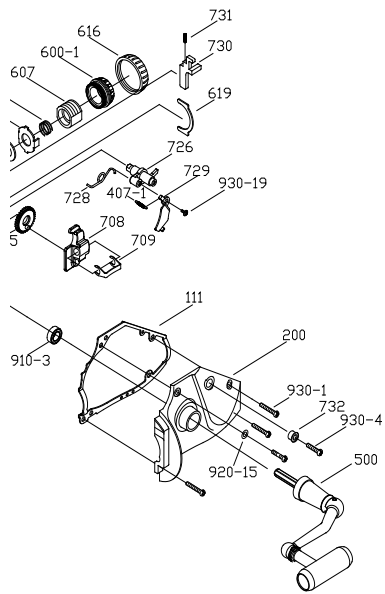


CD-30 PARTS LIST

KEY NO	PARTS NO	PARTS NAME	KEY NO	PARTS NO
100	21001586	MAIN BODY ASSY	619	26190005
105	21050016	PINION BEARING FIXED PLATE	700	27000234
105-1	21050019	PINION BEARING FIXED BUSHING	702	27020195
111	21110002	WATERPROOF PAD	705	27050029
200	22001844	SIDE PLATE ASSY.	708	27080028
300	23002094	ROTOR	709	27090003
301	23010546	BAIL ARM	718	27180549
304	23040908	BAIL ARM COVER	719	27190015
305	23050062	KICK LEVER	722	27220020
307	23070497	BAIL HOLDER	722-1	27220035
309	23090007	BAIL ARM SLIDER	726	27260005
309-1	23090013	BAIL ARM SUPPORT PIN	727	27270003
310	23100035	COMPRESSION SPRING	728	27280003
313	23130511	BAIL WIRE ASSY.	729	27290002
315	23150010	LINE ROTOR	730	27300005
316	23160002	LINE ROLLER BUSHING	731	27310002
317	23170010	LINE ROLLER WASHER	732	27320002
318	23180005	ROTOR NUT	800	28000107
325	23250002	BAIL SCREW	800-1	28000110
400	24006643	SPOOL ASSY.	801	28010022
407	24070006	EXTENSION SPRING	910-1	0910070
407-1	24070012	EXTENDED SPRING	910-12	0910041
413	24130002	WATERPROOF RETAINER	910-2	0910051
500	25002863	HANDLE ASSY.	910-3	0910093
513	25130308	HANDLE CAP	910-7	0910071
600	26000125	DRAG KNOB ASSY.	920-15	0920401
600-1	26001161	DRAG KNOB	920-2	0920151
602	26020003	DRAG SPRING	920-3	0920075
607	26070039	DRAG KNOB HOLDER	920-5	0920335
609	26090014	CLICK GEAR	930-1	0930044
610	26100011	DRAG WASHER	930-13	0930575
610-1	26100004	DRAG WASHER	930-19	0930196
611	26110005	EARED WASHER	930-4	0930237
611-1	26110024	EARED WASHER	930-5	0930643
612	26120005	KEY WASHER	930-6	0930301
616	26160028	DRAG RUBBER RING	930-9	0930678



PARTS NAME
KNOB RETAINER
DRIVE GEAR ASSY
PINION GEAR
TRANSMISSION GEAR
OSCILLATING SLIDER
"C" RETAINER
MAIN SHAFT
CLICK GEAR
CLICK GEAR WASHER
CLICK SHAFT BUSHING RETAINER
CLUTCH CAM
CLUTCH BAR
CLUTCH SPRING
CLUTCH SLIDER
PINION GEAR YOKE
CLUTCH BLOCK SPRING
CLUTCH BAR BUSHING
ANTI-REVERSE/ANTI-RE LEVER
ANTI-REVERSE/ANTI-RE LEVER
ANTI-RE LEVER SPRING
BALL BEARING
BALL BEARING
BALL BEARING
BALL BEARING
ONE-WAY BEARING RETAINER
WASHER
WASHER
WASHER
WASHER
SCREW
SCREW
SCREW
SCREW
SCREW
SCREW
SCREW

209OKM03402301

ReelSchematic