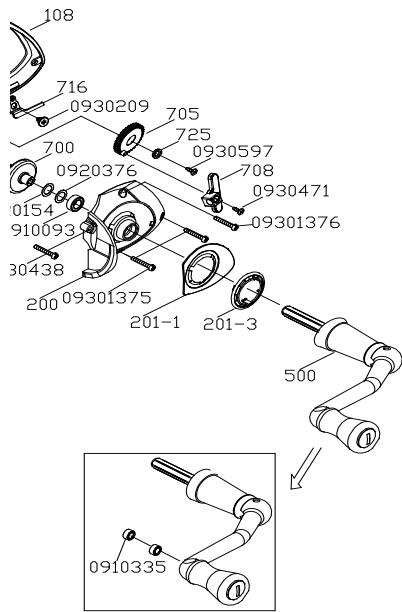


**RTX-25s PARTS LIST**

KEY NO	PARTS NO	PARTS NAME	KEY NO	PARTS NO
100	21004166	MIAN BODY	612-3	26120032
105	21050012	PINION BEARING FIXED BUSHING	700	27002038
105-1	21056571	PINION BEARING FIXED PLATE	702	27020761
108	21081458	CAP	705	27050158
200	22004321	SIDE PLATE	708	27080134
201	22010481	MIAN BODY DECORATION	716	27160008
201-1	22010482	SIDE PLATE DECORATION	718	27180746
201-2	22010483	MIAN BODY DECORATION	719	27190025
201-3	22010484	SIDE PLATE DECORATION	722	27220009
300	23004952	ROTOR	725	27250023
301	23011942	BAIL ARM	800-1	28000324
304	23042612	BAIL ARM COVER	800	28000332
305	23050177	KICK LEVER	801	28010024
307	23071544	BAIL HOLDER	0910041	0910041
309	23090002	BAIL ARM SLIDER	0910093	0910093
310	23100068	COMPRESSION SPRING	0910335	0910335
313	23131571	BAIL WIRE ASSY.	0910051	0910051
315	23150029	LINE ROLLER	0910496	0910496
317	23170013	LINE ROLLERWASHER	0920154	0920154
317-1	23170024	LINE ROLLERWASHER	0920322	0920322
318	23180005	ROTOR NUT	0920376	0920376
400	240014426	SPOOL ASSY.	09301375	09301375
405	24050042	DRAG WASHER RETAINER	09301376	09301376
407	24070009	EXTENSION SPRING	09301378	09301378
412	24120038	SPOOL BUSHING	09301379	09301379
413	24130009	WATERPROOF RETAINER	0930209	0930209
500	25005485	HANDLE ASSY.	0930307	0930307
504	25040004	HANDLE SCREW CAP WASHER	0930438	0930438
513	25130830	HANDLE CAP	0930471	0930471
600	26003199	DRAG KNOB ASSY.	0930541	0930541
610	26100011	DRAG WASHER	0930597	0930597
611	26110005	EARED WASHER	0930663	0930663
612	26120007	KEY WASHER	09301374	09301374



PARTS NAME
KEY WASHER
DRIVE GEAR
PINION GEAR
TRANSMISSION GEAR
OSCILLATING SLIDER
OSCILLATION SLIDER PLATE
MAIN SHAFT
CLICK GEAR
CLICK GEAR WASHER
TRANSMISSION GEAR
ANTI-REVERSE/ANTI-RE LEVER
ANTI-REVERSE/ANTI-RE LEVER
ANTI-RE LEVER SPRING
BALL BEARING
BALL BEARING
BALL BEARING
BALL BEARING
BALL BEARING
WASHER
WASHER
WASHER
SCREW
SCREW
SCREW
SCREW
SCREW
SCREW
SCREW
SCREW
SCREW
SCREW
SCREW
SCREW
SCREW
SCREW
SCREW
SCREW
SCREW
SCREW
SCREW
SCREW
SCREW

209OKA09305251

ReelSchematic