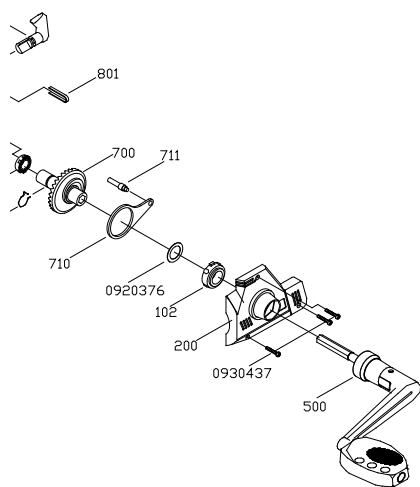


FS-10 PARTS LIST

KEY NO	PARTS NO	PARTS NAME	KEY NO	PARTS NO
100	21000459	MAIN BODY	702	27020050
102	21020004	BUSHING	710	27100002
200	22000615	SIDE PLATE	711	27110008
300	23000977	ROTOR	718	27180087
301	23010141	BAIL ARM	719	27190007
302	23020004	BAIL ARM SPRING	722	27220016
304	23040184	BAIL ARM COVER	800	28000020
305	23050008	KICK LEVER	801	28010006
306	23060099	BAIL HOLDER COVER	804	28040009
307	23073888	BAIL HOLDER	805	28050008
313	23130104	BAIL WIRE ASSY.	806	28060002
315	23150003	LINE ROLLER	808	28080004
317	23170002	LINE ROLLERWASHER	809	28090005
318	23180005	ROTOR NUT	0910049	0910049
400	24001930	SPOOL ASSY.	0920310	0920310
405	24050004	DARG WASHER RETAINER	0920376	0920376
500	25002699	HANDLE ASSY.	0920237	0920237
513	25130116	HANDLE CAP	0930437	0930437
515	25150002	HANDLE SCREW CAP WASHER	0930417	0930417
600	26004012	DRAG KNOB ASSY.	09301261	09301261
610	26100036	DRAG WASHER	0930654	0930654
611	26110013	EARED WASHER	0930306	0930306
612	26120010	KEY WASHER	0930829	0930829
700	27000015	DRIVE GEAR		



PARTS NAME
PINION GEAR
TRANSMISSION PLATE
TRANSMISSION PLATE PIN
MAIN SHAFT
CLICK GEAR
CLICK GEAR WASHER
ANTI-REVERSE/ANTI-RE LEVER
ANTI-RE LEVER SPRING
ANTI-RE LEVER PIN
ANTI-RE PAWL SPRING
ANTI-RE PAWL BUSHING
RATCHET
SILENT SPRING
BALL BEARING
WASHER
WASHER
WASHER
SCREW
SCREW
SCREW
SCREW
SCREW
SCREW
SCREW

209OKA00112101

ReelSchematic