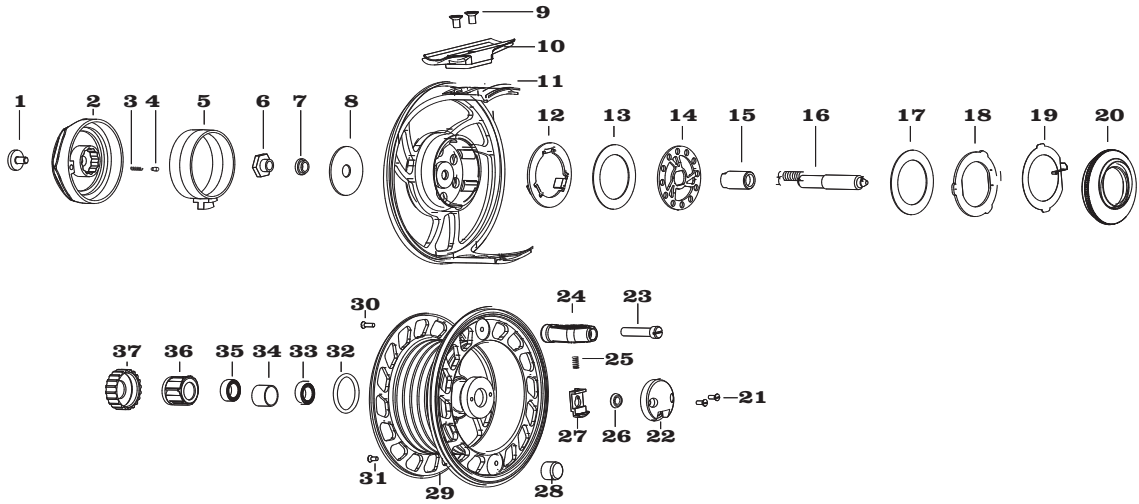


# ORVIS®

## ROD AND TACKLE

### Mach



#### REEL ASSEMBLY

- |                        |                                 |                                 |  |
|------------------------|---------------------------------|---------------------------------|--|
| 1 Knob Retaining Screw | 12 Bottom Clutch Plate          | 22 Spool Release Cover          | 32 O-Ring                                |
| 2 Drag Knob            | 13 Broflon Drag Washer          | 23 Handle Spindle               | 33 Sealed Stainless Steel Radial Bearing |
| 3 Detent Spring        | 14 Stainless Steel Clutch Plate | 24 Handle Knob                  | 34 Bearing Spacer                        |
| 4 Detent Plunger       | 15 Drive Spindle                | 25 Spool Release Trigger Spring | 35 Sealed Stainless Steel Radial Bearing |
| 5 Drag Knob Stop       | 16 Center Spindle               | 26 Oiler Pad                    | 36 One-Way Clutch Bearing                |
| 6 Drag Adjustment Nut  | 17 Broflon Drag Washer          | 27 Spool Release Trigger        | 37 Clutch Retainer                       |
| 7 Drag Nut Slider      | 18 Top Clutch Plate             | 28 Counterweight                |  |
| 8 Disc Washer Spring   | 19 Clicker Spring               | 29 Spool                        |  |
| 9 Foot Screws          | 20 Drag Cover                   | 30 Handle Screw                 |  |
| 10 Reel Foot           | 21 Spool Release Screws         | 31 Counterweight Screw          |  |

MACH REEL Capacity Chart				
LINE WEIGHT	III	IV	V	VI
WF4	150 yds			
WF5	125			
WF6	100			
WF7	75	225 yds		
WF8		200	275* yds	
WF9		175	250*	
WF10		150	225*	375* yds
WF11			200*	350*
WF12				325*
WF13				300*

#### Mach Reel Specifications

Mach III weight: 6 1/8 oz. | Mach IV weight: 6 1/2 oz. | Mach V weight: 8 1/8 oz.  
Mach VI weight: 8 1/4 oz.

#### Capacity in Yards

Stated capacities are based on Orvis 20-lb. Dacron® and Orvis Wonderline™, a standard weight-forward floating fly line. Alternate capacities are based on \*30-lb. Orvis Dacron Backing.

# ORVIS®

## ROD AND TACKLE

### Mach

#### INTRODUCTION

The Orvis Mach fly reel series features an efficient large arbor design, one of the strongest drags on the market, lightweight machined bar-stock aluminum construction, and a durable, high tech, anodized finish. It is built to withstand the rigors of saltwater, salmon, and steelhead angling.

- Large arbor design for faster line pick-up, maximum backing capacity, more consistent drag, and less line coiling.
- Fully machined from bar-stock, aircraft-grade 6262-T6 aluminum with a hard anodized finish for durability in any environment, Mach series fly reels are one of the lightest big game reels on the market.
- Infinitely adjustable true center drag with eight Broflon and stainless steel plate interfaces makes it as strong as any reel on the market.
- Four sizes for pursuit of big game species around the world.

#### DRAG OPERATION

The easy drag adjustment has detents for maintaining drag settings. The drag knob has 630 degrees of adjustment or  $1\frac{3}{4}$  turns. This provides controllable and repeatable settings suitable for any type of fishing—from trout to the toughest saltwater species—with zero start-up inertia and the power to stay smooth on extended runs and high drag settings.

Turn the drag knob (A) clockwise to increase drag pressure; turn it counterclockwise to decrease pressure. The minimum drag setting should never be less than the pressure required to prevent over-running of the line on fast runs. Additional drag may be applied by palming the spool rim with your fingertips or palm.



#### LEFT-HAND CONVERSION

The Mach reel features a zero-backlash clutch bearing, ensuring smooth operation and instant pickup on hard takes, protecting your tippet. All reels have the drag factory installed for right-hand retrieve. It can easily be changed to left-hand retrieve as follows:

1. Remove the spool.
2. Unscrew the clutch retainer located on the spool rear.
3. Remove the clutch unit, flip it over so that the stainless face is outermost, then replace it in the housing.
4. Re-tighten the clutch cover to firm finger tightness and re-fit the spool.



#### DRAG ADJUSTMENT

Should adjustment of the drag system be required, it can be carried out as follows:

1. Set drag to minimum.
2. Loosen drag knob retaining screw (#1).



**This screw has a left-hand (counter-clockwise) thread.**

3. Remove the drag knob (#2) and drag stop (#5), taking care not to lose the spring and plunger (#3,4).
4. Turn the drag adjustment nut (#6)  $\frac{1}{12}$  turn clockwise to increase drag, counter-clockwise to decrease.
5. Replace the knob and slider, ensuring they are in the same position they were when you removed them.
6. Ensure that front drag cover (#20) is finger tight.
7. Replace the drag knob screw and test drag. The above procedure can be repeated until the desired range is achieved. Alternatively, your reel can be completely serviced (cleaned, lubricated, and returned to you postpaid) by

Orvis for a fee of \$10 plus cost of parts. Refer to 'Guarantee' section for postage details.

#### ROUTINE MAINTENANCE

Your Mach reel has been designed to provide long and reliable service, even in the harshest conditions. Like all precision instruments, it requires a little care and maintenance to keep it operating in tip-top condition.

#### ROUTINE CLEANING

After contact with dirt or sand, and every time it is used in salt water, your reel should be cleaned as follows:

1. Remove the spool.
2. Soak both body and spool in warm, fresh water, and rinse under fresh running water.
3. Ensure the body and spool are completely dry before re-assembly.
4. For extended storage, loosen or remove line and backing and set the drag to minimum. Never put the reel away wet or into a wet reel case or tackle box.

#### SERVICING

Your reel should be routinely serviced, cleaned, and lubricated twice each year, or more frequently if the reel is used for extended periods in salt water. The service procedure is as follows:

1. Thoroughly clean the reel as described above in the 'Routine Cleaning' section.

For thorough cleaning, the front drag cover (#20) can be moved.



**Before removing the drag cover, the drag must be set to minimum.**

If adjustment of the drag system is required, refer to 'Drag Adjustment' section.

2. Lightly lubricate all moving parts—handle, quick release, bearings, and center spindle—with reel lube, available from tackle shops.



**Do not allow lube into the drag system, as this will diminish the drag performance of the reel.**

3. Wipe the body and spool with a lightly oiled cloth.
4. Check all screws for tightness.

#### QUESTIONS?

If you have any questions about the operation and maintenance of your new reel, Orvis Technical Advisors are always available. Email: [info@orvis.com](mailto:info@orvis.com). Phone: 1-800-778-4778.

#### GUARANTEE

Your Orvis Mach reel is unconditionally guaranteed against defects in materials and workmanship.

If you have any problems, simply send your reel and a \$10 check to the following address:

By USPS Mail: Orvis Reel Service; PO Box 798; Manchester, VT 05254.

By FedEx or UPS: Orvis Reel Service; Tennis Way, Rt. 7A; East Dorset, VT 05253.

If the reel is in any way defective in material or workmanship, your \$10 repair check will be returned to you at once.

Your reel will be completely serviced (cleaned, lubricated, and returned to you postpaid) for a fee of \$10, plus cost of parts.

Damaged reels can be repaired on an individual basis and repair work will be billed at the hourly shop rate, plus parts. We will provide a written estimate upon receipt of the reel prior to any work being done.