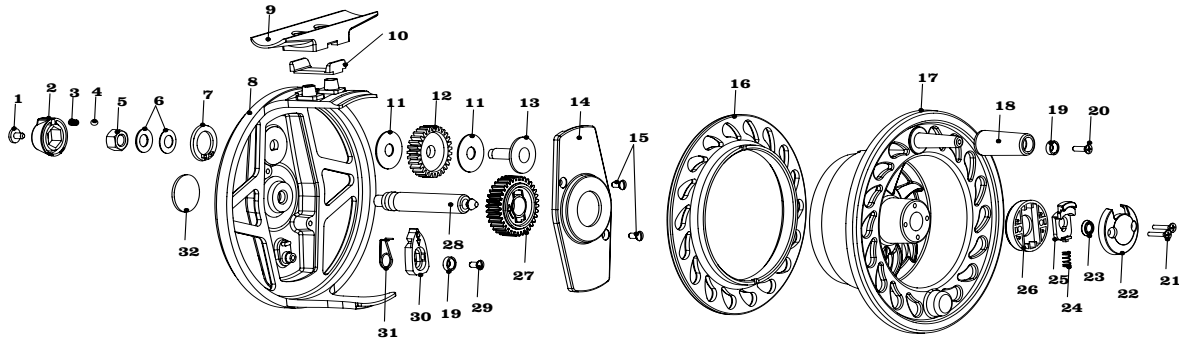


ORVIS®

ROD AND TACKLE

Rocky Mountain Turbine Reel



REEL ASSEMBLY

- | | | | |
|-----------------------|--------------------|------------------------|-------------------------|
| 1 Retaining Screw | 7 Drag Spindle | 13 Click Pawl Spring | 19 Quick-Release Spring |
| 2 Drag Adjustment Nut | 8 Drag Knob | 14 Body Assembly | 20 Cover Screws |
| 3 O-Ring | 9 Spring Washer | 15 Spool Assembly | 21 Handle Knob |
| 4 Drag Disc | 10 Drag Knob Stop | 16 Quick-Release Lever | 22 Handle Spacer |
| 5 Spring Retainer | 11 Spring Retainer | 17 Oiler Pad | |
| 6 Drag Gear | 12 Click Pawl | 18 Quick-Release Cover | |

ROCKY MOUNTAIN TURBINE REEL Capacity Chart

LINE WEIGHT	II	III	IV
WF3	100		
WF4	75		
WF5	50	150	
WF6		125	
WF7		100	225
WF8			200
WF9			175

Rocky Mountain Turbine Fly Reel Specifications

II Reel | weight: 5.8 oz. | 3½ inches

III Reel | weight: 6.3 oz. | 3⅝ inches

IV Reel | weight: 7.4 oz. | 3¹⁵/₁₆ inches

Capacity in Yards

All capacities are quoted using 20-lb Dacron® backing.

ORVIS®

ROD AND TACKLE

Rocky Mountain Turbine Reel

INTRODUCTION

The Rocky Mountain Turbine is built with a new, die-cast aluminum spool and frame around our famous Battenkill-style drag, with an offset system to give you the stopping power you need for big fish, combined with a lighter weight for optimum balance on your fly rod. The ultra large arbor holds more backing and gets big fish on the reel faster.

Features include:

- Ultra large-arbor performance
- Die-cast aluminum spool and frame
- Baked enamel finish for long term durability
- Easy conversion from LH to RH retrieve

DRAG OPERATION

The wide-range Rocky Mountain Turbine drag system provides a smooth stopping force. Turn the knob clockwise to increase pressure; turn it counterclockwise to decrease pressure. The minimum drag setting should never be less than the pressure required to prevent over-running of the line on fast runs. Additional drag may be applied by palming the spool rim with your fingertips or palm.



SPOOL REMOVAL

The spool release is located in the middle of the reel spool (part #25). To remove, depress the spool release latch while simultaneously lifting the spool out of the reel body.

RETRIEVAL CONVERSION

Direction of the retrieve can easily be changed as follows:

1. Remove the retaining screws and the cover plate (parts #14 and #15).
2. Slide the one-way gear (part #27) off the spindle (part #28), flip it over, then slide the gear back down over the spindle.
3. Replace the cover plate and screws, and the reel is now set for your preferred retrieve.

OPTIONAL SILENT OPERATION

The Rocky Mountain Turbine's line-out click sound can be silenced as follows:

1. Remove the retaining screws and the cover plate (see Cover Plate Removal and Refitting). (parts #14 and #15).
2. Push the clicker pawl backwards out of engagement. The pawl will click into the "silent" position. (part # 30).
3. Replace the cover plate and screws, and the reel is now set for silent line-out.

ROUTINE MAINTENANCE

Your new Rocky Mountain Turbine Reel has been properly lubricated before it was shipped to you. However, it should be cleaned and lubricated after extensive use or after contact with dirt or sand. In addition, your reel should receive routine cleaning and lubricating twice each year.

Lightly lubricate all moving components—handles, center spindle, and gear shaft with Penn Reel Lube, available in tackle shops. After lubrication, check screws for proper tightness.

NOTE: The Rocky Mountain Turbine is not ideally suited for salt or brackish water. Do not put the reel away wet, or into a wet reel case or tackle box. The finish may be damaged. For extended storage, remove both line and backing, and loosen the drag.

GUARANTEE

Your Rocky Mountain Turbine reel is unconditionally guaranteed against defects in materials and workmanship.

If you have any problems, simply send your reel and a \$10 check to the following address:

By USPS Mail: Orvis; Overhaul Services; 178 Conservation Way; Sunderland, VT 05250.

By FedEx or UPS: Orvis; Overhaul Services; 4182 Main St.; Manchester, VT 05254.

If the reel is in any way defective in materials or workmanship, your \$10 repair check will be returned to you at once.

Your reel will be completely serviced (cleaned, lubricated, and returned to you postpaid) for a fee of \$10, plus cost of parts.

Damaged reels can be repaired on an individual basis and repair work will be billed at the hourly shop rate, plus parts. We will provide a written estimate upon receipt of the reel prior to any work being done.

QUESTIONS?

If you have any questions about the operation and maintenance of your new reel, Orvis Technical Advisors are always available.

Email: info@orvis.com. Phone: 1-800-778-4778.