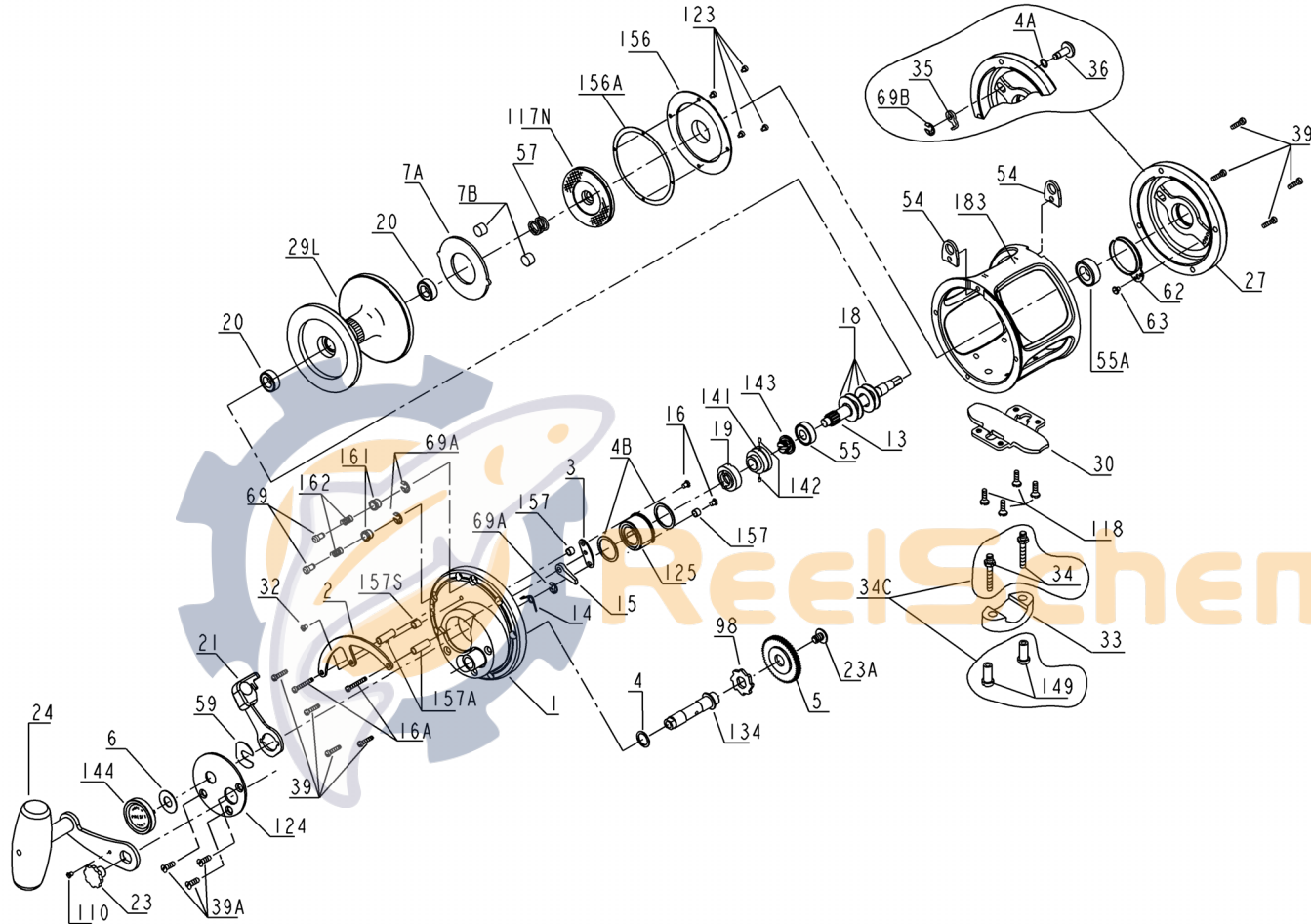




PARTS LIST FOR MODEL 12LT



KEY NO.	DESCRIPTION	PART NO.
1	Right Side Plate Assembly	001 12LT
2	Quadrant Ring	002 006
3	Ratchet Dog Bridge	003 012LT
4	Gear Stud Washer	004 012
4A	Click Button Washers	004 012H
4B	Cam Thrust Washers (2 req.)	004 012LT
5	Main Gear	005 012H
6	Spacer Washer	006 155
7A	Metal Ear Drag Washer	007A006
7B	Pressure Plugs (2 req.)	007B012H
13	Pinion Gear	013 012H
14	Dog Spring	014 006
15	Dog	015 149
16	Bridge Screws (2 req.)	016 006
16A	Quadrant Long Screws (2 req.)	016 009
18	Disc Clutch Springs (4 req.)	018 012T
19	Eccentric Cam	019 012LT
20	Spool Bearings (2 req.)	020 722
21	Eccentric Lever	021 012LT
23	Handle Screw	023 060
23A	Gear Screw	023 006CH
24	Handle Complete	024 012LT
27	Left Side Plate Assembly	027 012LT
29L	Spool	029L012LT
30	Stand	030 012LT
32	Quadrant Short Screw	032 310
33	Rod Clamp	033 200
34	Rod Clamp Screws (2 req.)	034 114HLW
34C	Rod Bolts w/Nuts	034C114HLW
35	Click Tongue	035 320
36	Click Button	036 012LT
39	Frame Screws (8 req.)	039 005
39A	Bridge Cover Screws (3 req.)	039A080S
54	Harness Lugs (2 req.)	054 113
55	Ball Bearing	055 006
55A	L.S. Plate Bearing	055 012H
57	L.S. Bearing Spring	057 109
59	Slotted Washer	059 050
62	Click Spring	062 025
63	Click Spring Screw	063 209
69	Locating Pin (2 req.)	069 012LT
69A	Retaining Ring (3 req.)	069B050
69B	Click Button Retaining Ring	069B600
98	Gear Ratchet	098 006
110	Handle Lock Screw	110 060
117N	Drive Plate Assembly	117N012T
118	Stand Screw (4 req.)	118 080
123	Drag Cover Screws (4 req.)	016 910
124	Bridge Cover	124 012LT
125	Cam Housing	125 012LT
134	Gear Stud	134 012H
141	Cam Follower	141 012LT
142	Cam Follower Pin (2 req.)	142 012LT
143	Adjusting Screw	143 012LT
144	Preset Knob	144 016S
149	Rod Clamp Nut (2 req.)	149 045
156	Drag Cover	156 012LT
156A	Drag Cover Seal	156A012LT
157	Bridge Spacer Bushings (2 req.)	157 012
157A	Quadrant Spacer Bushings (2 req.)	157 012T
157S	Quadrant Spacer Bushings (2 req.)	157S012LT
161	Locating Pin Bushing (2 req.)	161 012LT
162	Locating Pin Spring (2 req.)	162 012LT
183	Tube Frame	183 012LT