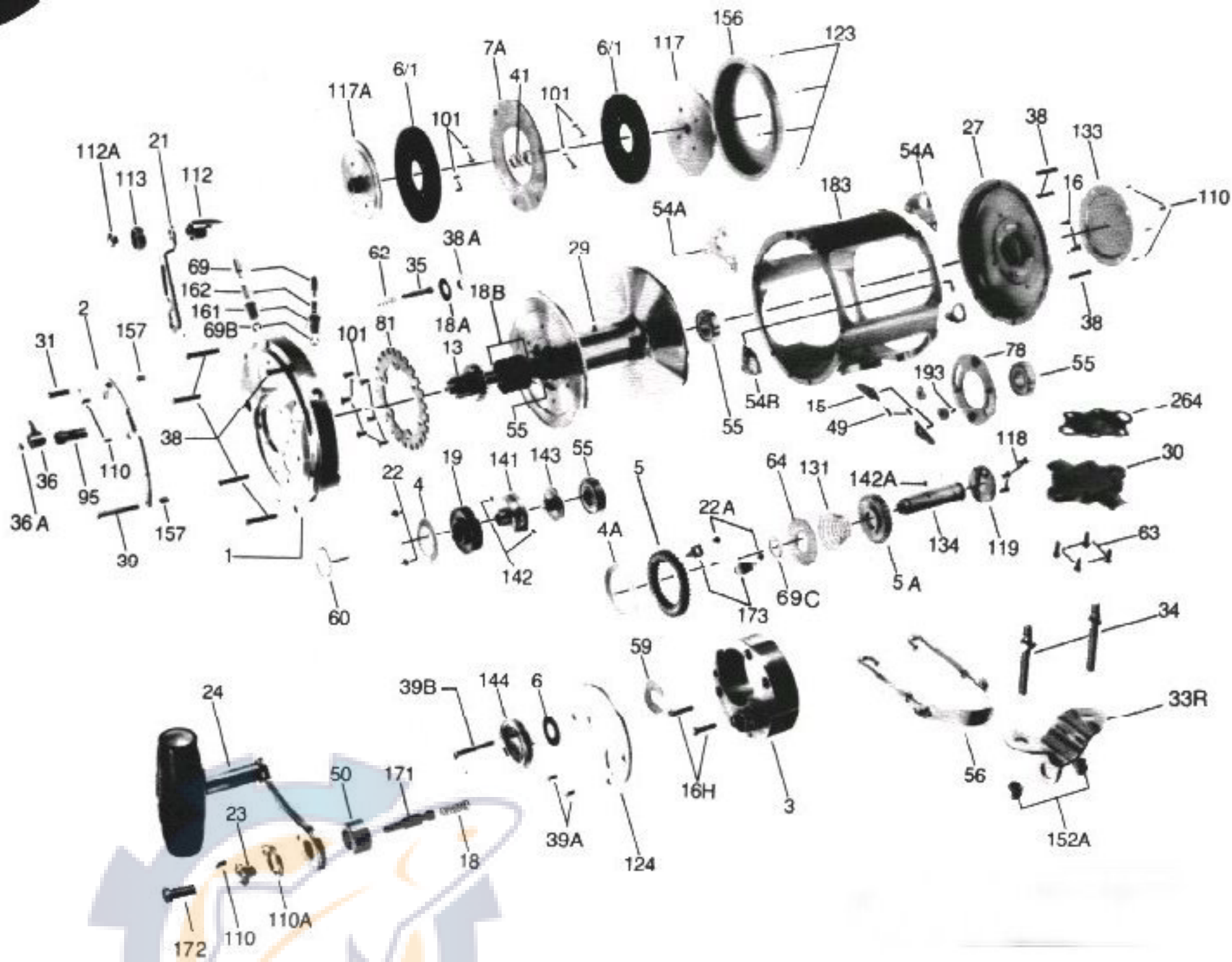




PARTS LIST FOR MODEL 80SW



Penn Reel Parts list for:

KEY PART

NO.	NO.	DESCRIPTION
1	1-80S	RIGHT SIDE PLATE ASSEMBLY
2	2-80	QUADRANT RING
3	3-80S	BRIDGE
4	4-80	CAM THRUST WASHER
4A	4-130	THRUST WASHER
5	5-80HS	HIGH MAIN GEAR
5A	5-80LS	LOW MAIN GEAR
6	6-155	LEATHER SPACER WASHER
6/1	6-50	DRAG WASHER (2 Req.)
7A	7A-80	FLOATING DRAG WASHER
13	13-80SW	PINION GEAR
15	15-130	DOG
16	16-80S	DOG PLATE SCREW
16H	16H-130	HIDDEN BRIDGE SCREWS (2 Req.)
18	18-114	PLUNGER SPRING
18A	95A-20	CLICK BUSHING WASHER
18B	18-80W	DISC CLUTCH SPRINGS (4 Req.)
19	19-80	ECCENTRIC CAM
21	21-80S	ECCENTRIC LEVER
22	22-109	HOLD DOWN SCREW
22A	63-349	RETAINING SCREW
23	23-80S	HANDLE SCREW
24	24-80	HANDLE COMPLETE
27	27-80S	L.S. PLATE ASSEMBLY
29	29L-80SW	SPOOL
30	30-80S	STAND
31	31-20	QUADRANT SCREW
33R	33R-116	RINGED ROD CLAMP
34	34-80T	ROD CLAMP SCREW
35	35-80TN	CLICK TONGUE
36A	36-700	CLICK TONGUE NUT
36	36-50	CLICK BUTTON
38	38-50	FRAME POST (11 Req.)
38A	38-710	CLICK BUSHING NUT
39	39-50	QUADRANT SCREW (LONG (1 Req.)
39A	39A-80S	COVER SCREWS (2 Req.)
39B	39-80S	COVER SCREW (LONG Req.) (1 Req.)
41	41-50	LEFT SIDE BEARING SPRING
49	49-710	DOG SPRING
50	50-80S	GEAR STUD COVER
54A	54A-80S	TOP HARNESS LUGS (2 Req.)
54B	54B-80S	BOTTOM HARNESS LUGS (2 Req.)
55	55-80	BALL BEARING

Model: 80SW

KEY PART

NO.	NO.	DESCRIPTION
56	56C-80ST	ROD BRACE
59	59-50	SLOTTED WASHER
60	60-50	BACKING WASHER
62	62-50	CLICK SPRING
63	63-30T	STAND SCREW
64	64-80S	IDLER GEAR
69	69-50	LOCATING PIN
69B	69B-50	RETAINING CLIPS (3 Req.)
69C	69B-80S	GEAR STUD CLIP
78	78-80S	DOG PLATE
81	81-80S	RATCHET
95	95-80	CLICK BUSHING
101	101-30	DRIVE PLATE SCREW
110	110-50	HANDLE LOCK SCREW
110A	110A-50	HANDLE LOCKING PLATE
112	112-50	ECCENTRIC LEVER KNOB
112A	112A-50	ECCENTRIC KNOB SCREW
113	113-50	ECCENTRIC LEVER CAP
117	117-80S	DRIVE PLATE (OUTER)
117A	117A-80	DRIVE PLATE (INNER)
118	118-80S	MAIN GEAR PLATE SCREW
119	119-50	MAIN GEAR PLATE
123	123-50	DRAG COVER SCREW
124	124-80S	BRIDGE COVER
131	131-80S	CONICAL SPRING
133	133-80S	LEFT SIDE COVER PLATE
134	134-80S	GEAR STUD
141	141-80	CAM FOLLOWER
142	142-80	CAM FOLLOWER PINS (2 Req.)
142A	142-50	PINS (2 Req.)
143	134-80	ADJUSTING SCREW
144	144-50	PRE-SET KNOB
152A	152A-80T	ROD CLAMP ACORN NUT
156	156-80S	DRAG COVER
157	157-50	QUADRANT BUSHING
161	161-50	LOCATING PIN BUSHINGS
162	162-50	LOCATING PIN SPRINGS (2 Req)
171	172-50S	PLUNGER
172	172N-80S	PLUNGER CAP
173	173-80S	GEAR RETAINER
183	183-80SW	TUBE FRAME
193	193-80S	LOCK NUT
264	264-80T	STAND GASKET

* NOT SHOWN