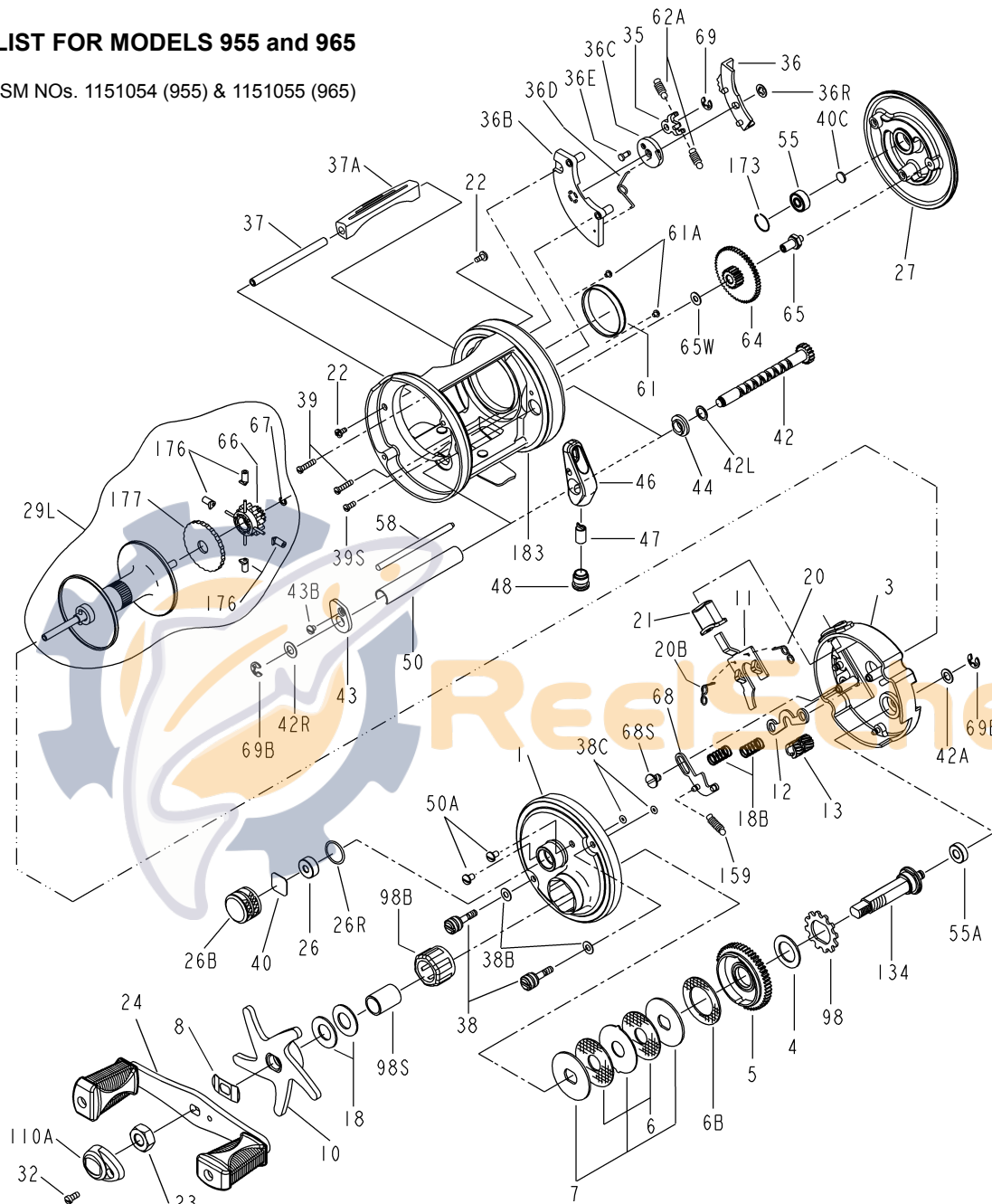




PARTS LIST FOR MODELS 955 and 965

REEL ASM NOs. 1151054 (955) & 1151055 (965)



KEY NO.	DESCRIPTION	PENN STYLE NO.	ORDER PART NO.
18	Disc Clutch Spring (2 req.)	018 965	1181626
18B	Yoke Spring (2 req.)	018B965	1181631
20	R.S. Jack Spring	020 965	1181798
20B	L.S. Jack Spring	020B965	1181818
21	Clutch Release Button	021 965	1181886
22	Post Screw (2 req.)	050 716	1183767
23	Handle Nut	023 965	1181959
24	Handle Assembly	024B965	1182090
26	R.S. Plate Bushing	026 965	1182130
26B	Spool Tension Cap	026B965	1182142
26R	Tension Cap 'O' Ring	026R965	1182147
27	Left Side Plate	027 965	1182292
29L	Spool Assembly (955)	029L955	1182562
29L	Spool Assembly (965)	029L965	1182563
32	Handle Cap Screw	032 015	1182708
35	Click Tongue	035 965	1182950
36	Click Button	036 965	1183022
36B	Click Housing	036B965	1183034
36C	Click Wheel	036C965	1183044
36D	Click Wheel Spring	036D965	1183045
36E	Click Tongue Pin	036E965	1183046
36R	Retaining Ring	036R965	1183050
37	Thumb Bar Post (955)	037 955	1183092
37	Thumb Bar Post (965)	037 965	1183093
37A	Thumb Bar (955)	037A955	1183115
37A	Thumb Bar (965)	037A965	1183116
38	Take-Apart Screw (2 req.)	038N965	1183172
38B	Side Plate Washer (2 req.)	038B965	1183169
38C	Screw 'O' Ring (2 req.)	038C965	1183170
39	L.S. Plate Screw (2 req.)	039 965	1183242
39S	L.S. Plate Short Screw	039S965	1183261
40	Metal Thrust Washer	040C965	1183314
40C	Metal Thrust Washer	040C310	1183308
42	Worm Shaft (955)	042 955	1183359
42	Worm Shaft (965)	042N965	1183366
42A	Gear Stud Washer	042R965	1183367
42L	L.S. Worm Shaft Washer	042L965	1183364
42R	R.S. Worm Shaft Washer	042R965	1183367
43	R.S. Worm Shaft Bushing	043 965	1183415
43B	Worm Bushing Screw	043B965	1183429
44	L.S. Worm Shaft Bushing	044 965	1183466
46	Line Guide (965)	046 965	1183582
46	Line Guide (975)	046 975	1183583
47	Pawl	047 975	1183677
48	Pawl Cover Screw	048 965	1183719
50	Worm Shield (955)	050 955	1183774
50	Worm Shield (965)	050 965	1183775
50A	R.S. Plate Screw (2 req.)	050 716	1183767
55	Ball Bearing	055 113H	1183880
55A	Gear Stud Bushing	055A965	1183900
58	Line Guide Post (955)	058 955	1183967
58	Line Guide Post (965)	058 965	1183968
61	Brake Drum	061 965	1184019
61A	Brake Drum Screw (2 req.)	043B965	1183429
62A	Click Spring (2 req.)	062A965	1184035
64	Idler Gear	064M965	1184082
65	Idler Gear Pin	065 965	1184086
65W	Idler Gear Washer	065W965	1184087
66	Spool Gear Click Ratchet	066M965	1184099
67	Lock Ring	067 016S	1184103
68	Shift Arm	068 965	1184112
68S	Shift Arm Screw	068S965	1184113
69	Retaining Ring	069B050	1184125
69B	Retaining Ring (2 req.)	069B600	1184129
98	Trip Ratchet	098 965	1184370
98B	Roller Bearing	098B965	1184382
98S	Bearing Clutch Shaft	098S965	1184400
110A	Handle Nut Cap	110A555	1184442
134	Gear Stud	134 965	1184625
159	Shift Arm Spring	159 965	1184783
173	L.S. Bearing Retainer	173 965	1184847
176	Anti-Backlash Brakes (4 req.)	176 965	1184853
177	Brake Selection Knob	177 965	1184856
183	Frame Assembly (955)	183 955	1184929
183	Frame Assembly (965)	183N965	1184942

1231609
407-955-965 Rev 7
E4096 2-27-12

KEY NO.	DESCRIPTION	PENN STYLE NO.	ORDER PART NO.
1	Right Side Plate	001N965	1180581
3	Inner R.S. Plate	003 965	1180738
4	Fiber Washer	004 155	1180772
5	Main Gear	005N965	1180899
6	Drag Washer (2 req.)	006 965	1180931
6B	Drag Washer	006B965	1180968

KEY NO.	DESCRIPTION	PENN STYLE NO.	ORDER PART NO.
7	Drag Washer (Set of 3)	007C965	1181053
8	Star Tension Washer	008 965	1181113
10	Star Drag	010 965	1181215
11	Eccentric Jack	011 965	1181254
12	Yoke	012 965	1181277
13	Pinion	013N965	1181382