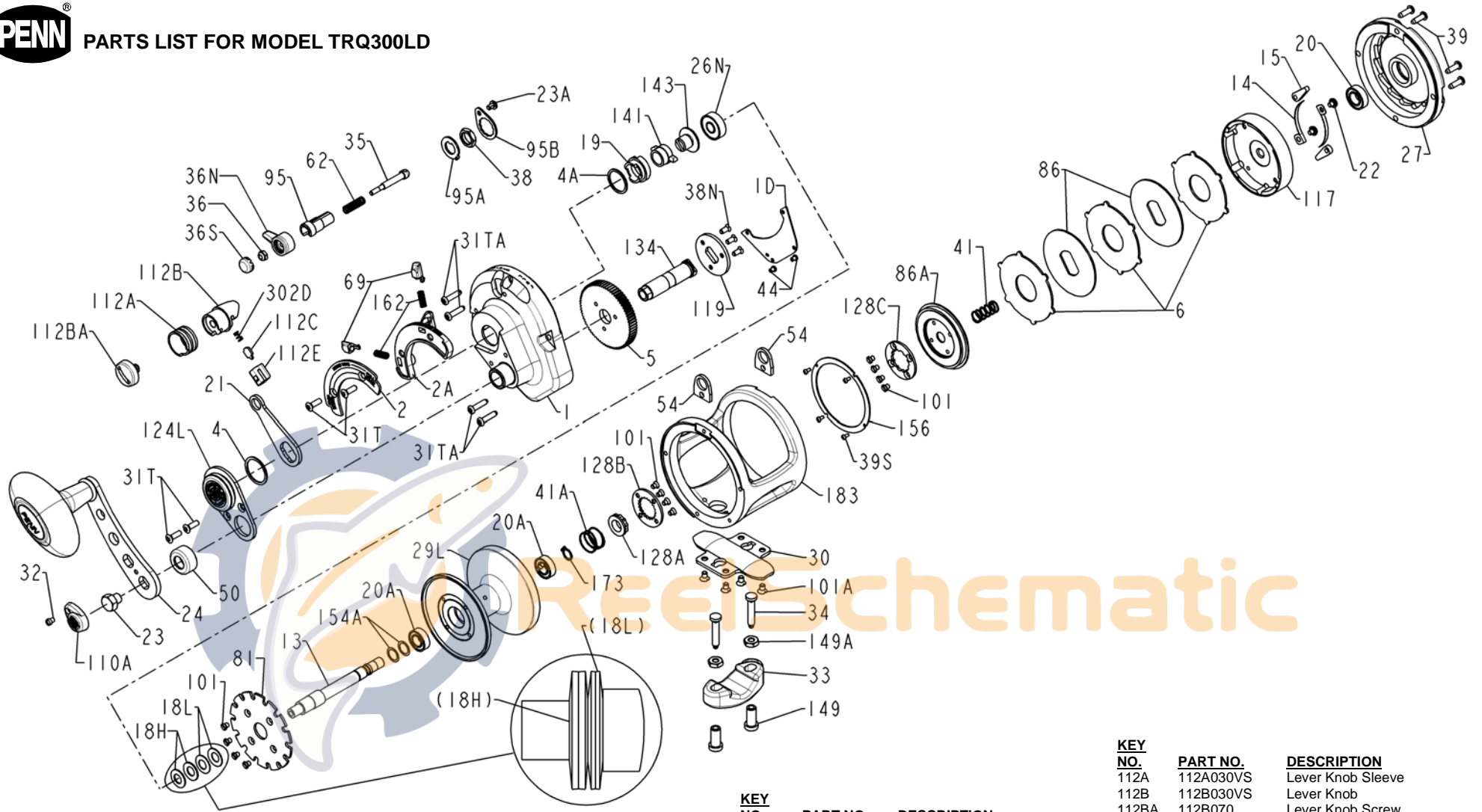




PARTS LIST FOR MODEL TRQ300LD



KEY NO.

KEY NO.	PART NO.	DESCRIPTION
1	001 300LD	Right Side Plate
1D	001D300T	Backing Plate
2	002 300LD	Drag Lever Quadrant
2A	002A300LD	Drag Lever Ratchet
4	004 012LT	Drag Lever Thrust Washer
4A	004 300LD	Cam Thrust Washer
5	005 300LD	Main Gear
6	006 300LD	Drag Washer (3 Req)
13	013 300LD	Pinion
14	014 300LD	Dog Spring (2 Req)
15	015 050	Anti-Reverse Dog (2 Req)
18H	018H300LD	Clutch Spring Heavy(2 Req)
18L	018L300LD	Clutch Spring Light (2 Req)
19	019 300LD	Cam

KEY NO.

KEY NO.	PART NO.	DESCRIPTION
20	020 6500	Left Side Ball Bearing
20A	020 722	Spool Ball Bearing (2 Req)
21	021 300LD	Drag Lever
22	022 109	Dog Spring Screw (2 Req)
23	023 300LD	Handle Screw
23A	023 750	Lock Plate Screw
24	024 300LD	Handle Assembly
26N	026N025	Right Side Ball Bearing
27	027 300LD	Left Side Plate
29L	029L300LD	Spool
30	030 016VS	Stand
31T	031T070	Screw (4 Req)
31TA	031TA200T	Right Side Screw (4 Req)
32	032 015	Handle Cap Screw
33	033 113	Rod Clamp
34	034 016VS	Rod Clamp Screw (2 Req)
35	035 300LD	Click Tongue
36	036 700	Click Button Nut
36N	036N050	Click Button
36S	036S080ST	Click Button Cap

KEY NO.

KEY NO.	PART NO.	DESCRIPTION
38	038 710	Click Bushing Nut
38N	038N007	Coupling Plate Screw (3 Req)
39	039 300LD	Left Side Screw (4 Req)
39S	039S965	Drag Cover Screw (4 Req)
41	041 015KG	Drag Spring
41A	041 300LD	Drive Clutch Spring
44	044 300T	Backing Plate Screw (2 Req)
50	050 025	Gear Stud Shield
54	054 016S	Harness Lug (2 Req)
*54A	*054A016VS	*Harness Lug Plug (2 Req)
62	062 300LD	Click Spring
69	069 012VS	Locating Pin (2 Req)
81	081 016VS	Click Ratchet Plate
86	086 300LD	Metal Drag Washer (2 Req)
86A	086A300LD	Drag Bushing Assembly
95	095 300LD	Click Bushing
95A	095A050	Click Bushing Washer
95B	095B070	Click Locking Plate
101	101 050S	Mounting Screw (12 Req)
101A	101 080ST	Stand Screw (4 Req)
110A	110A555	Handle Screw Cap

* Not Shown

KEY NO.

KEY NO.	PART NO.	DESCRIPTION
112A	112A030VS	Lever Knob Sleeve
112B	112B030VS	Lever Knob
112BA	112B070	Lever Knob Screw
112C	112C030VS	Click Plate
112E	112E030VS	Lever Click Housing
117	117 300LD	Drag Housing
119	119 050	Coupling Plate
124L	124L300LD	Bridge Cover Assembly
128A	128A300LD	Driver
128B	128B300LD	Drive Plate
128C	128C300LD	Driver Retainer
134	134 300LD	Gear Stud
141	141 300LD	Cam Follower
143	143 300LD	Adjusting Screw
149	149 045	Rod Clamp Nut (2 Req)
149A	149 200	Hex Nut (2 Req)
154A	154A016VS	Spool Shim (2 if Required)
156	156 300LD	Drag Housing Cover
162	162 050	Locating Pin Spring (2 Req)
173	173 300LD	Retaining Ring
183	183 300LD	Frame
183	183 300LDE	Frame (for European models)
302D	302D525MAG	Lever Knob Spring