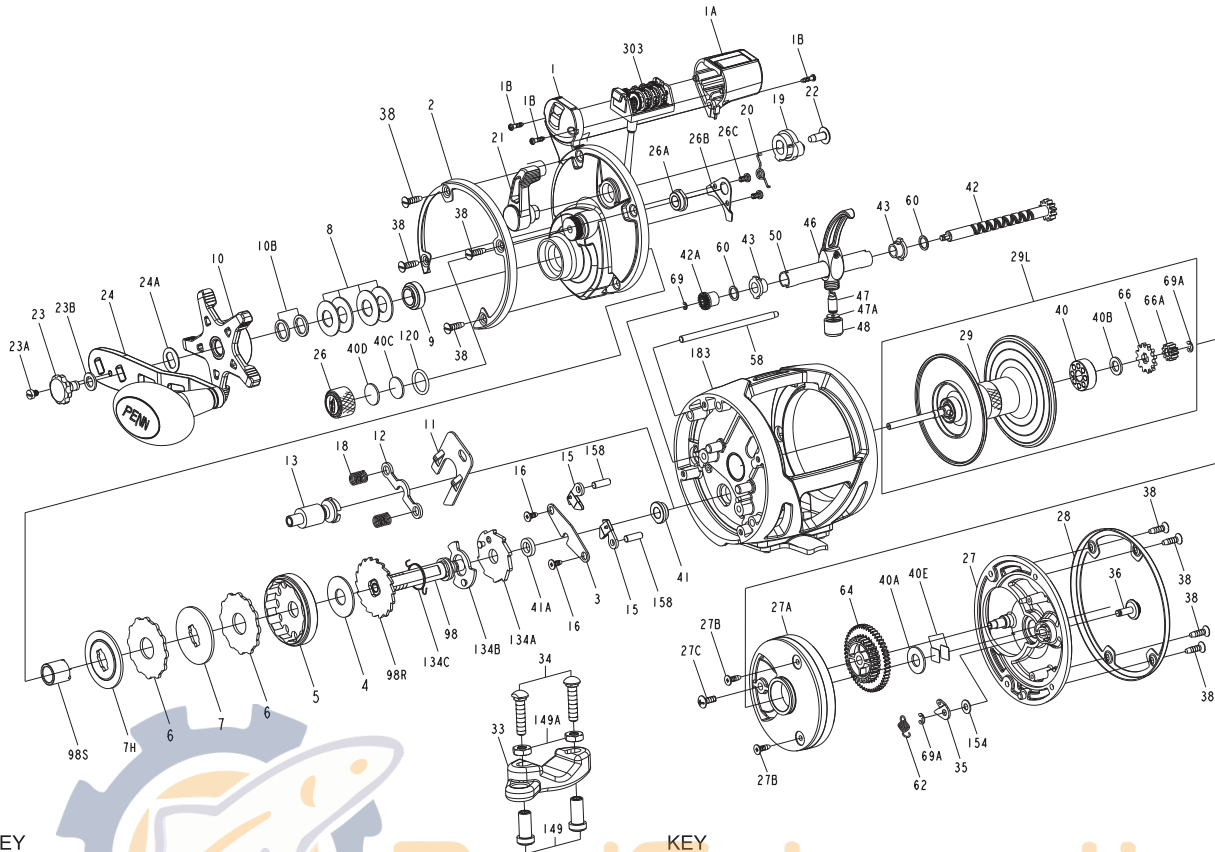




PARTS LIST FOR RVL30LWLCLH
REEL ASM. Nos. 1404004



KEY NO.	PART NO.	PENN STYLE NO.	DESCRIPTION	KEY NO.	PART NO.	PENN STYLE NO.	DESCRIPTION
1	1405730	1-RVL30LWLCLH	Right Side Plate Assembly	34	1182788	34-045	Screw (2 req)
1A	1383100	1A-WAR15LWLCLH	Line Counter Cover	35	1383037	35-WAR15LW	Click Tongue
1B	1383084	1B-WAR15LWLC	Screw, L.C.Cover(3req)	36	1383038	36-WAR15LW	Click Button
2	1405731	2-RVL30LWLCLH	Right Side Ring	38	1383039	38-WAR15LW	Screw (8 req)
3	1384179	3-WAR15LW	Bridge	40	1383042	40-WAR15LW	Ball Bearing
4	1382976	4-WAR15LW	Drag Washer	40A	1383043	40A-WAR15LW	Washer
5	1406059	5-WAR30LWLH	Main Gear	40B	1383044	40B-WAR15LW	Felt Washer
6	1382978	6-WAR15LW	Tabbed Drag Washer(2 req)	40C	1383045	40C-WAR15LW	Washer, Acetal Thrust
7	1382999	7-WAR15LW	Keyed Metal Drag Washer	40D	1383046	40D-WAR15LW	Washer, Rubber Thrust
7H	1383000	7H-WAR15LW	Heavy Metal Drag Washer	40E	1383047	40E-WAR15LW	Thrust Washer (2req)
8	1383001	8-WAR15LW	Spring Washer (4 req)	41	1383048	41-WAR15LW	Bushing
9	1384180	9-WAR15LW	Spacing Sleeve	41A	1384181	41A-WAR15LW	Bushing
10	1405705	10-RVL15LWLH	Star Drag	42	1406061	42-WAR30LWLC	Worm Shaft Assembly
10B	1383004	10B-WAR15LW	Star Click Washer (2 req)	42A	1405737	42A-WAR30LWLC	Gear, L.C. Drive
11	1405741	11-WAR30LWLH	Eccentric Jack	43	1383051	43-WAR15LW	Worm Shaft Bushing(2req)
12	1383007	12-WAR15LW	Pinion Yoke	46	1383288	46-WAR30LW	Line Guide Assembly
13	1406060	13-WAR30LWLH	Pinion	47	1383053	47-WAR15LW	Line Guide Pawl
15	1383009	15-WAR15LW	Anti Reverse Dog(2 req)	47A	1383054	47A-WAR15LW	Pawl Shim
16	1383010	16-WAR15LW	Screw (2 req)	48	1383055	48-WAR15LW	Line Guide Nut
18	1383011	18-WAR15LW	Pinion Yoke Spring (2 req)	50	1383057	50-WAR20LW	Worm Shield
19	1383012	19-WAR15LW	Eccentric	58	1383059	58-WAR20LW	Line Guide Post
20	1383013	20-WAR15LW	Eccentric Spring	60	1383060	60-WAR15LW	Worm Shaft Washer(2req)
21	1405716	21-RVL30LW	Eccentric Lever	62	1383061	62-WAR15LW	Spring
22	1405707	22-RVL15LW	Eccentric Screw	64	1383289	64-WAR30LW	Idler Gear
23	1383016	23-WAR15LW	Handle Assembly Screw	66	1383290	66-WAR30LW	Click Ratchet
23A	1383017	23A-WAR15LW	Handle Lock Screw	66A	1383064	66A-WAR15LW	Spool Gear
23B	1383018	23B-WAR15LW	Handle Screw Washer	69	1383065	69-WAR15LW	Retainer Ring
24	1405687	24-RVL15LW	Handle Assembly	69A	1383066	69A-WAR15LW	Retainer Ring (2 req)
24A	1383020	24A-WAR15LW	Handle Thrust Washer	98	1383094	98-WAR15LWLH	Main Gear Shaft
26	1405688	26-RVL15LW	Spool Tension Control Cap	98R	1383069	98R-WAR15LW	Anti Reverse Ratchet
26A	1383022	26A-WAR15LW	Bushing	98S	1383070	98S-WAR15LW	Clutch Sleeve
26B	1383023	26B-WAR15LW	Clutch Retainer	120	1383071	120-WAR15LW	O-Ring
26C	1383024	26C-WAR15LW	Screw(2req)	134A	1383072	134A-WAR15LW	Clutch Recover Plate
27	1405732	27-RVL30LWLCLH	Left Side Plate	134B	1383073	134B-WAR15LW	Clutch Recover Support Plate
27A	1383027	27A-WAR15LW	Bearing Housing	134C	1383074	134C-WAR15LW	Clutch Recover Spring
27B	1383028	27B-WAR15LW	Screw(2req)	149	1184702	149-045	Rod Clamp Nut (2 req)
27C	1383029	27C-WAR15LW	Screw	149A	1184706	149-200	Hex Nut (2 req)
28	1405718	28-RVL30LW	Left Side Ring	154	1383077	154-WAR15LW	Click Button Washer
29	1405719	29-RVL30LW	Spool	158	1383078	158-WAR15LW	Dog Pin(2req)
29L	1405720	29L-RVL30LW	Spool Assembly	183	1405743	183-WAR30LWLH	Frame Assembly
33	1182754	33-113	Rod Clamp	303	1383283	303-WAR15LWLCLH	Counter Wheel Assembly