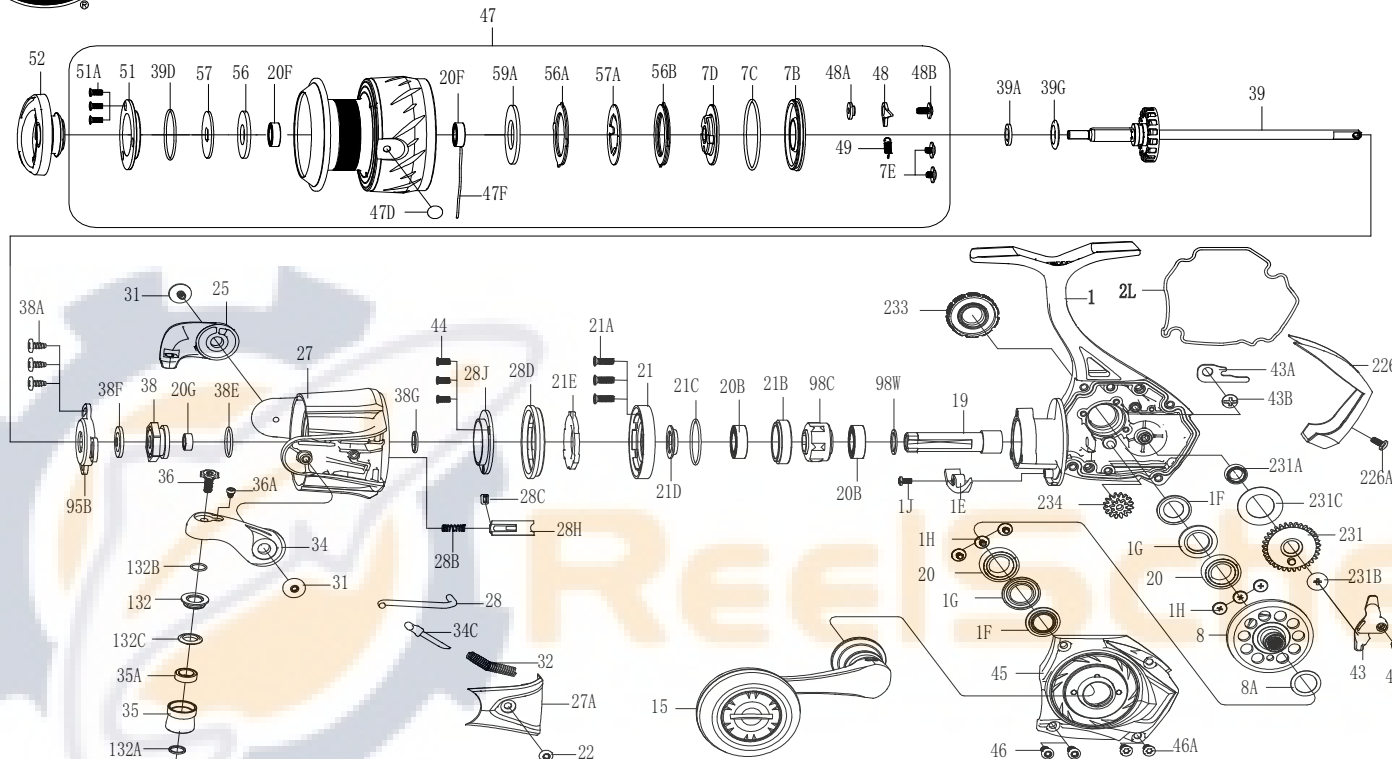




PARTS LIST FOR MODEL ATH2500



KEY NO.	PART NO.	PENN STYLE NO.	DESCRIPTION
31	1577902	31-ATH2500	Bail Arm Screw (2 req)
32	1577903	32-ATH2500	Ball Spring
34	1577904	34-ATH2500	Bail Arm
34C	1489270	34C-SSVI2500	Pivot Arm
35	1577905	35-ATH2500	Line Roller
35A	1577906	35A-ATH2500	Roller Bearing (2 req)
36	1577907	36-ATH2500	Bail Stud Screw
36A	1577908	36A-ATH2500	Bail Stud Screw
38	1577909	38-ATH2500	Rotor Nut
38A	1577910	38A-ATH2500	Rotor Nut Cover Screw (3 req)
38E	1489203	38E-SSVI3500	Rotor O Ring
38F	1577911	38F-ATH2500	Main Shaft Seal Ring
38G	1577912	38G-ATH2500	Main Shaft Seal Ring
39	1577913	39-ATH2500	Main Shaft Assembly
39A	1577914	39A-ATH2500	Thrust Washer
39D	1489186	21C-SSVI3500	O-Ring
39G	1489209	39G-SSVI3500	Spool Seal Ring
43	1577915	43-ATH2500	Crosswind Block
43A	1577916	43A-ATH2500	Crosswind Block Plate
43B	1489213	43B-SSVI3500	Crosswind Block Plate Screw
44	1489214	44-SSVI3500	Crosswind Block Screw(4 req)
45	1577917	45-ATH2500	Housing Cover Assembly
46	1577918	46-ATH2500	Bearing Retainer Screw (2 req)
46A	1577919	46A-ATH2500	Bearing Retainer Screw (2 req)
47	1577920	47-ATH2500	Spool Assembly
47D	1489217	47D-SSVI3500	Line Clip
47F	1577921	47F-ATH2500	Line Clip Spring
48	1577922	48-ATH2500	Click Tongue
48A	1214226	48A-3000SG	Click Tongue Washer
48B	1577805	7E-ATH7500	Screw
49	1211627	49-5000SG	Click Tongue Spring
51	1577923	51-ATH2500	Drag Retaining Ring
51A	1577924	51A-ATH2500	Screw(3 req)
52	1577925	52-ATH2500	Drag Knob Assembly
56	1577926	56-ATH2500	Drag Washer
56A	1577927	56A-ATH2500	Drag Washer
56B	1577928	56B-ATH2500	Drag Washer
57	1577929	57-ATH2500	Keyed Washer
57A	1577930	57A-ATH2500	Keyed Washer
59A	1577931	59A-ATH2500	Keyed Washer
95B	1489223	95B-SSVI3500	Rotor Nut Cover
98C	1489279	98C-SSVI2500	Clutch/Sleeve Assembly
98W	1204004	98W-3000PUR	Clutch Washer
132	1577932	132-ATH2500	Roller Washer
132A	1577854	132A-ATH7500	Line Roller Bushing
132B	1577855	132B-ATH7500	O-Ring
132C	1577933	132C-ATH2500	Seal ring (2 req)
132D	1577934	132D-ATH2500	Roller Washer
226	1577935	226-ATH2500	Rear Cover
226A	1577858	226A-ATH7500	Rear Cover Screw
231	1577936	231-ATH2500	Crosswind Gear
231A	1577937	231A-ATH2500	Crosswind Gear Bearing
231B	1489230	231B-SSVI3500	Crosswind Gear Screw

407-ATH2500 Rev. 0 26-11-2021

1563146

KEY NO.	PART NO.	PENN STYLE NO.	DESCRIPTION
1	1577876	1-ATH2500	Housing Assembly
1E	1489251	1E-SSVI2500	Housing Slope
1F	1489174	1F-SSVI3500	Main Gear Seal Ring (2 req)
1G	1489175	1G-SSVI3500	Seal Plate (2 req)
1H	1489176	1H-SSVI3500	Bearing Screw(6 req)
1J	1489177	1J-SSVI3500	Housing Slope Screw
2L	1577877	2L-ATH2500	Housing Seal Ring
7B	1577878	7B-ATH2500	Drag Washer Base
7C	1577879	7C-ATH2500	Spool Seal Ring
7D	1577880	7D-ATH2500	Spool bottom cover
7E	1577881	7E-ATH2500	Screw(2 req)
8	1577882	8-ATH2500	Main Gear
8A	1191028	8A-3000SG	Shim
15	1577883	15-ATH2500	Handle Assembly
19	1577884	19-ATH2500	Pinion Gear

KEY NO.	PART NO.	PENN STYLE NO.	DESCRIPTION
20G	1577888	20G-ATH2500	Ball Bearing
21	1577889	21-ATH2500	Bearing Retainer
21A	1207723	21A-1000SG	Bearing Retainer Screw (3 req)
21B	1489256	21B-SSVI2500	Collar
21C	1489257	21C-SSVI2500	Bearing Retainer O Ring
21D	1577890	21D-ATH2500	Seal Holder
21E	1577891	21E-ATH2500	PINION GEAR SEAL
22	1577892	22-ATH2500	Bail Pivot Cover Screw
24	1577893	24-ATH2500	Bail Wire
25	1577894	25-ATH2500	Bail Holder
27	1577895	27-ATH2500	Rotor
27A	1577896	27A-ATH2500	Bail Pivot Cover
28	1577897	28-ATH2500	Trip Lever
28B	1489193	28B-SSVI3500	Rotor Brake Spring
28C	1577898	28C-ATH2500	Rubber Sleeve