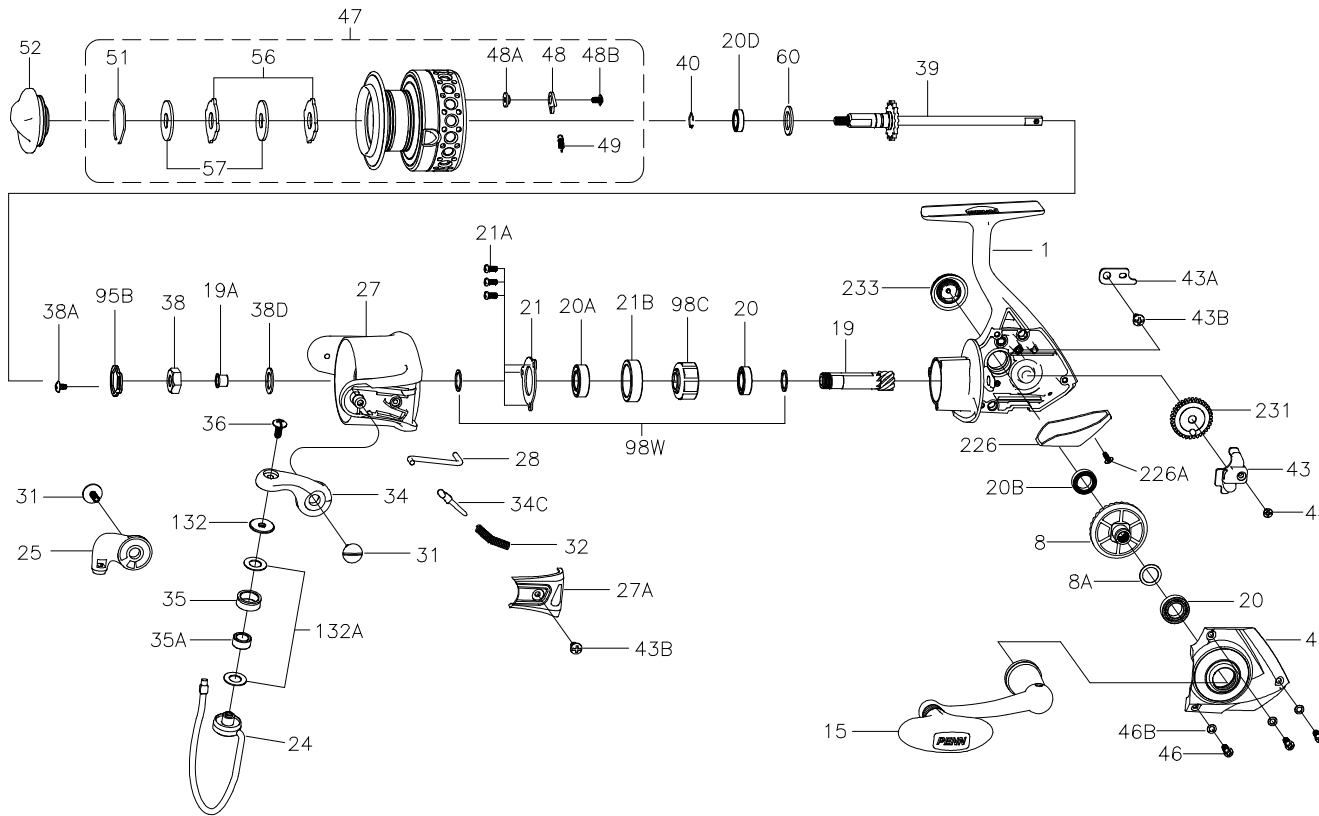




PARTS LIST FOR MODEL BTLB3000



| KEY NO. | PART NO. | DESCRIPTION |
|---------|----------|---|
| 24 | 1308054 | 24-CFT3000 Bail Wire Assembly |
| 25 | 1308056 | 25-CFT3000 Bail Holder |
| 27 | 1324177 | 27-BTLII3000 Rotor |
| 27A | 1324178 | 27A-BTLII3000 Bail Pivot Cover |
| 28 | 1308061 | 28-CFT3000 Trip Lever |
| 31 | 1324169 | 31-BTLII4000 Bail Arm Screw (2 req) |
| 32 | 1191586 | 32-3000SG Bail Spring |
| 34 | 1308064 | 34-CFT3000 Bail Arm |
| 34C | 1308065 | 34C-CFT3000 Pivot Arm |
| 35 | 1324170 | 35-BTLII4000 Line Roller |
| 35A | 1308067 | 35A-CFT3000 Line Roller Bushing |
| 36 | 1191699 | 36-3000SG Bail Stud Screw |
| 38 | 1191728 | 38-3000SG Rotor Nut |
| 38A | 1324171 | 38A-BTLII4000 Rotor Locking Plate Screw |
| 38D | 1308070 | 38D-CFT3000 Rotor Nut Washer |
| 39 | 1308071 | 39-CFT3000 Main Shaft Assembly |
| 40 | 1308073 | 40-CFT3000 Bearing Lock Spring |
| 43 | 1200531 | 43-4000SG Crosswind Block |
| 43A | 1191818 | 43A-3000SG Crosswind Block Plate |
| 43B | 1191826 | 43B-3000SG Screw (2 req) |
| 44 | 1191843 | 44-3000SG Crosswind Block Screw |
| 45 | 1324179 | 45-BTLII3000 Housing Cover Assembly |
| 46 | 1191901 | 46-3000SG Housing Cover Screw (3 req) |
| 46B | 1191907 | 46B-3000SG Housing Cover Washer (3 req) |
| 47 | 1508053 | 47-BTLB3000 Spool Assembly |
| 48 | 1211604 | 48-3000SG Click Tongue |
| 48A | 1214226 | 48A-3000SG Click Tongue Washer |
| 48B | 1214189 | 48B-3000SG Spool Click Screw |
| 49 | 1211605 | 49-3000SG Click Tongue Spring |
| 51 | 1308078 | 51-CFT3000 Drag Retaining Ring |
| 52 | 1324174 | 52-BTLII4000 Drag Knob Assembly |
| 56 | 1308080 | 56-CFT3000 Drag Washer (2 req) |
| 57 | 1192043 | 57-3000SG Keyed Washer (2 req) |
| 60 | 1192060 | 60-3000SG Thrust Washer |
| 95B | 1308081 | 95B-CFT3000 Rotor Locking Plate |
| 98C | 1308082 | 98C-CFT3000 Clutch/Sleeve Assembly |
| 98W | 1204004 | 98W-3000PUR Clutch Washer (2 req) |
| 132 | 1192296 | 132-3000SG Roller Washer |
| 132A | 1192302 | 132A-3000SG Line Roller Washer (2 req) |
| 226 | 1308083 | 226-CFT3000 Rear Cover |
| 226A | 1192473 | 226A-3000SG Rear Cover Screw |
| 231 | 1192498 | 231-3000SG Crosswind Gear |
| 233 | 1211608 | 233-3000BTL Bearing Cover Assembly |

| KEY NO. | PART NO. | DESCRIPTION |
|---------|----------|---|
| 1 | 1508054 | 1-BTLB3000 Housing Assembly |
| 8 | 1308047 | 8-CFT3000 Main Gear |
| 8A | 1191028 | 8A-3000SG Shim |
| 15 | 1508051 | 15-BTLB4000 Handle Assembly |
| 19 | 1191231 | 19-3000SG Pinion Gear |
| 19A | 1191252 | 19A-3000SG Pinion Bushing |
| 20 | 1308050 | 20-CFT3000 Ball Bearing (2 req) |
| 20A | 1308051 | 20A-CFT3000 Upper Pinion Ball Bearing |
| 20B | 1211610 | 20B-5000BTL Ball Bearing |
| 20D | 1211588 | 20D-3000BTL Spool Ball Bearing |
| 21 | 1308052 | 21-CFT3000 Bearing Retainer |
| 21A | 1192644 | 21A-3000SG Bearing Retainer Screw (3 req) |
| 21B | 1308053 | 21B-CFT3000 Collar |

407-BTLB3000 Rev. 0 16-10-18

1508073