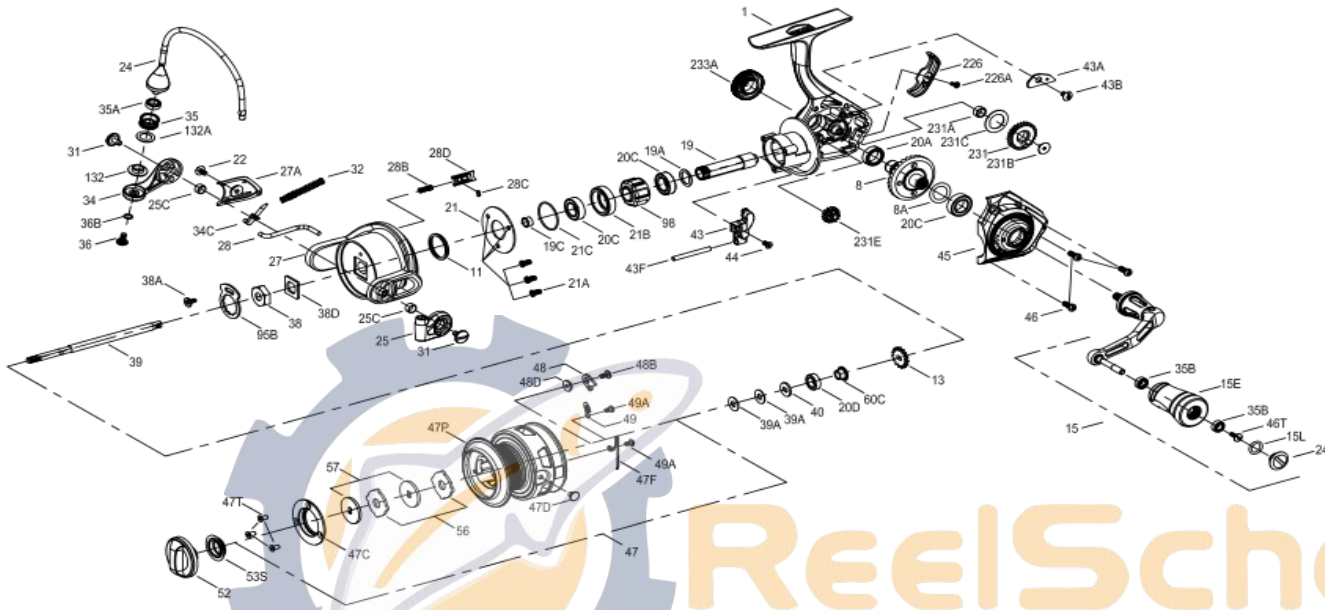




PARTS LIST FOR MODEL CLASH2000/2500



407-CLASH 2000-2500 Rev.1 05-05-16
1366178--CLASH2000
1366179--CLASH2500

KEY NO.	PART NO.	DESCRIPTION
1	1385599	1-CLA2000 Body Assembly
1	1392057	1-CLA2500 Body Assembly
8	1385502	8-CLA3000 Drive Gear
8A	1257352	8A-CLA2000 Drive Gear Shim Washer
11	1385504	11-CLA3000 Rotor Seal
13	1385600	13-CLA2000 Click Gear
15	1385601	15-CLA2000 Handle Assembly
15E	1417803	15E-CLA2000 Handle Knob
15L	1417804	15L-CLA2000 Handle Knob Seal
19	1385602	19-CLA2000 Pinion Gear
19A	1277424	19A-SSV3500 Pinion Gear Washer
19C	1385529	19C-CLA2000 Pinion Gear Bushing
20A	1385530	20A-CLA3000 Sealed Ball Bearing
20C	1385532	20C-CLA3000 Sealed Ball Bearing(3req.)
20D	1385604	20D-CLA2000 Sealed Ball Bearing
21	1385606	21-CLA2000 Ball Bearing Retainer
21A	1385607	21A-CLA2000 Ball Bearing Retainer Screw(3req.)
21B	1385608	21B-CLA2000 Ball Bearing Bushing
21C	1385605	21C-CLA2000 O Ring
22	1092845	22-CLA2000 Rotor Cover Screw
24	1385609	24-CLA2000 Bail Assembly
24	1385610	24-CLA2500 Bail Assembly
24C	1417806	24C-CLA3000 Handle Knob Cap
25	1385611	25-CLA2000 Bail Holder
25C	1188261	25C-CLA2000 Bail Holder Bushing(2req.)
27	1385612	27-CLA2000 Rotor
27	1385613	27-CLA2500 Rotor
27A	1385614	27A-CLA2000 Rotor Cover

KEY NO.	PART NO.	DESCRIPTION
27A	1385615	27A-CLA2500 Rotor Cover
28	1385616	28-CLA2000 Rotor Trip Lever
28	1385617	28-CLA2500 Rotor Trip Lever
28B	1346982	28B-CLA2000 Compressing Spring
28C	1206550	28C-CLA2000 O Ring
28D	1385618	28D-CLA2000 Damper Holder
31	1385619	31-CLA2000 Bail Arm Screw(2req.)
32	1363787	32-CLA2000 Compressing Spring
34	1385620	34-CLA2000 Bail Arm
34C	1385621	34C-CLA2000 Bail Arm Lever
35	1385622	35-CLA2000 Line Roller
35A	1276940	35A-SSV3500 Line Roller Sealed Ball Bearing
35B	1418393	35B-CLA3000 Ball Bearing (2req.)
36	1389419	36-CLA2000 Line Roller Screw
36B	1419265	36B-CLA2000 Bail Arm Screw Washer
38	1385623	38-CLA2000 Rotor Nut
38A	1385554	38A-CLA2000 Rotor Nut Lock Plate Screw
38D	1385555	38D-CLA3000 Rotor Washer
39	1385625	39-CLA2000 Main Shaft
39	1385626	39-CLA2500 Main Shaft
39A	1385627	39A-CLA2000 Spool Adjust Washer(2req.)
40	1252700	40-CLA2000 Main Shaft Washer
43	1385629	43-CLA2000 Oscillation Slider
43A	1385630	43A-CLA2000 Slider Retainer Plate
43B	1277070	43B-SSV5500 Oscillation Slider Guide Screw
43F	1385631	43F-CLA2000 Guide Shaft
44	1126275	44-CLA2000 Rear Cover Screw
45	1385632	45-CLA2000 Body Cover
45	1392058	45-CLA2500 Body Cover
46	1385633	46-CLA2000 Body Cover Screw(3req.)
46T	1341500	3-SSV7500LC Screw
47	1385634	47-CLA2000 Spool Assembly
47	1385635	47-CLA2500 Spool Assembly
47C	1385636	47C-CLA2000 Drag Cover
47D	1276953	47D-SSV3500 Line Hook
47F	1385637	47F-CLA2000 Line Clip Retainer
47P	1385638	47P-CLA2000 Spool
47P	1385639	47P-CLA2500 Spool
47T	1389425	47T-CLA2000 Drag Cover Screw(3req.)
48	1385578	48-CLA3000 Spool Click Plate
48B	1385581	48B-CLA3000 Spool Clicker Spring Screw
48D	1385579	48D-CLA3000 Spool Clicker Spacer Ring
49	1259579	49-7000AF Pulling Spring
49A	1294638	49A-CLA2000 Spool Clicker Spring Screw(2req.)
52	1385643	52-CLA2000 Drag Knob Assembly
53S	1385644	53S-CLA2000 Drag Knob Seal
56	1385645	56-CLA2000 Drag Friction Washer(2req.)
57	1385646	57-CLA2000 Keyed Drag Washer(2req.)
60C	1385603	60C-CLA2000 Spool Support Sleeve
95B	1385647	95B-CLA2000 Rotor Nut Locking Plate
98	1257345	98-CLA2000 One Way Clutch Bearing Assembly
132	1385648	132-CLA2000 Line Roller Collar
132A	1385649	132A-CLA2000 Line Roller Washer
226	1385650	226-CLA2000 Rear Cover
226A	1385651	226A-CLA2000 Rear Cover Screw
231	1385652	231-CLA2000 Oscillation Gear
231	1385653	231-CLA2500 Oscillation Gear
231A	1385595	231A-CLA2000 Oscillation Gear Bushing
231B	1307857	231B-SSV3500 Oscillation Gear Screw
231C	1385594	231C-CLA2000 Oscillation Gear Washer
231E	1385654	231E-CLA2000 Slow Oscillation Gear
233A	1385598	233A-CLA3000 Handle Cap