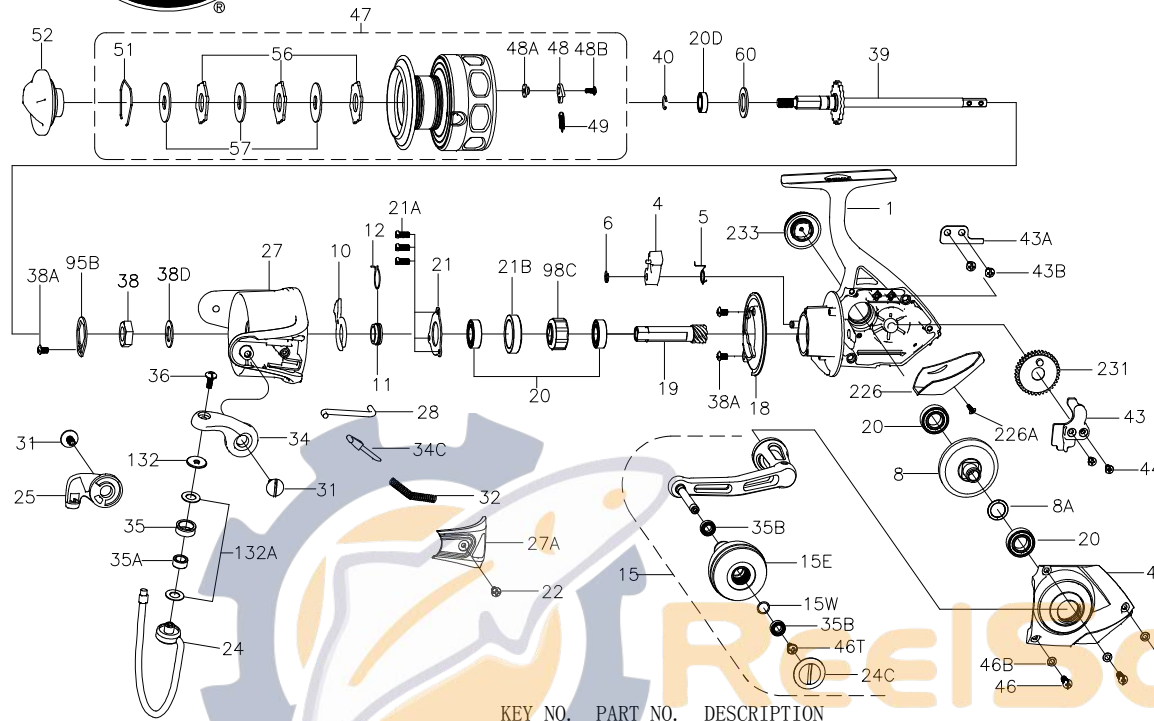




# PARTS LIST FOR MODEL CFT5000/CFT6000



KEY NO.	PART NO.	DESCRIPTION
25	1308093	25-CFT5000 Bail Holder
27	1308094	27-CFT5000 Rotor
27	1308095	27-CFT6000 Rotor
27A	1308096	27A-CFT5000 Bail Pivot Cover
27A	1308097	27A-CFT6000 Bail Pivot Cover
28	1308098	28-CFT5000 Trip Lever
28	1308099	28-CFT6000 Trip Lever
31	1308100	31-CFT5000 Bail Arm Screw (2 req)
32	1308101	32-CFT5000 Bail Spring
32	1200520	32-6000SG Bail Spring
34	1308102	34-CFT5000 Bail Arm
34	1308103	34-CFT6000 Bail Arm
34C	1191652	34C-5000SG Pivot Arm
35	1308066	35-CFT3000 Line Roller
35A	1308067	35A-CFT3000 Line Roller Bushing
35B	1316417	35B-CFT5000 Ball Bearing (2 req)
36	1191699	36-3000SG Bail Stud Screw
38	1191731	38-7000SG Rotor Nut
38A	1191736	38A-5000SG Screw (3 req)
38D	1308104	38D-CFT5000 Rotor Nut Washer
39	1308105	39-CFT5000 Main Shaft Assembly
39	1308106	39-CFT6000 Main Shaft Assembly
40	1211620	40-5000BTL Bearing Lock Spring
43	1308107	43-CFT5000 Crosswind Block
43A	1191820	43A-5000SG Crosswind Block Plate
43B	1191827	43B-5000SG Crosswind Block Plate Screw (2 req)
44	1191845	44-5000SG Crosswind Block Screw (2 req)
45	1308108	45-CFT5000 Housing Cover Assembly
45	1308109	45-CFT6000 Housing Cover Assembly
46	1191903	46-5000SG Housing Cover Screw (3 req)
46B	1191908	46B-5000SG Housing Cover Washer (3 req)
46T	1316411	46T-CFT2000 Screw
47	1308110	47-CFT5000 Spool Assembly
47	1308111	47-CFT6000 Spool Assembly
48	1211625	48-5000SG Click Tongue
48A	1211626	48A-5000SG Click Tongue Washer
48B	1211612	48B-5000SG Spool Click Screw
49	1211627	49-5000SG Click Tongue Spring
51	1308112	51-CFT5000 Drag Retaining Ring
52	1308113	52-CFT5000 Drag Knob Assembly
56	1308114	56-CFT5000 Drag Washer (3 req)
57	1192044	57-5000SG Keyed Washer (3 req)
60	1192062	60-5000SG Thrust Washer
95B	1308115	95B-CFT5000 Rotor Locking Plate
98C	1308116	98C-CFT5000 Clutch/Sleeve Assembly
132	1192297	132-5000SG Roller Washer
132A	1192302	132A-3000SG Line Roller Washer (2 req)
226	1308117	226-CFT5000 Rear Cover
226A	1192473	226A-3000SG Rear Cover Screw
231	1192503	231-5000SG Crosswind Gear
231	1200523	231-6000SG Crosswind Gear
233	1308118	233-CFT5000 Bearing Cover Assembly

KEY NO.	PART NO.	DESCRIPTION
1	1308085	1-CFT5000 Housing Assembly
1	1308086	1-CFT6000 Housing Assembly
4	1190937	4-5000SG Dog
5	1190966	5-5000SG Dog Spring
6	1190979	6-5000SG Retaining Clip
8	1191019	8-5000SG Main Gear
8A	1191030	8A-5000SG Shim
10	1191066	10-5000SG A/R Holder
11	1191085	11-5000SG Bushing
12	1191090	12-5000SG A/R Bushing Spring
15	1308087	15-CFT5000 Handle Assembly
15E	1316414	15E-CFT5000 Handle Knob
15W	1316415	15W-CFT5000 Washer
18	1308088	18-CFT5000 Rotor Brake
19	1308089	19-CFT5000 Pinion Gear
20	1308090	20-CFT5000 Ball Bearing (4 req)
20D	1211610	20D-5000BTL Spool Ball Bearing
21	1192636	21-5000SG Bearing Retainer
21A	1192645	21A-5000SG Bearing Retainer Screw (3 req)
21B	1192650	21B-5000SG Collar
22	1192661	22-5000SG Bail Pivot Cover Screw
24	1308091	24-CFT5000 Bail Wire Assembly
24	1308092	24-CFT6000 Bail Wire Assembly
24C	1316416	24C-CFT5000 Handle Knob Cap

407-CFT5000/CFT6000 Rev. 1 5-13-13

1292953/1292954