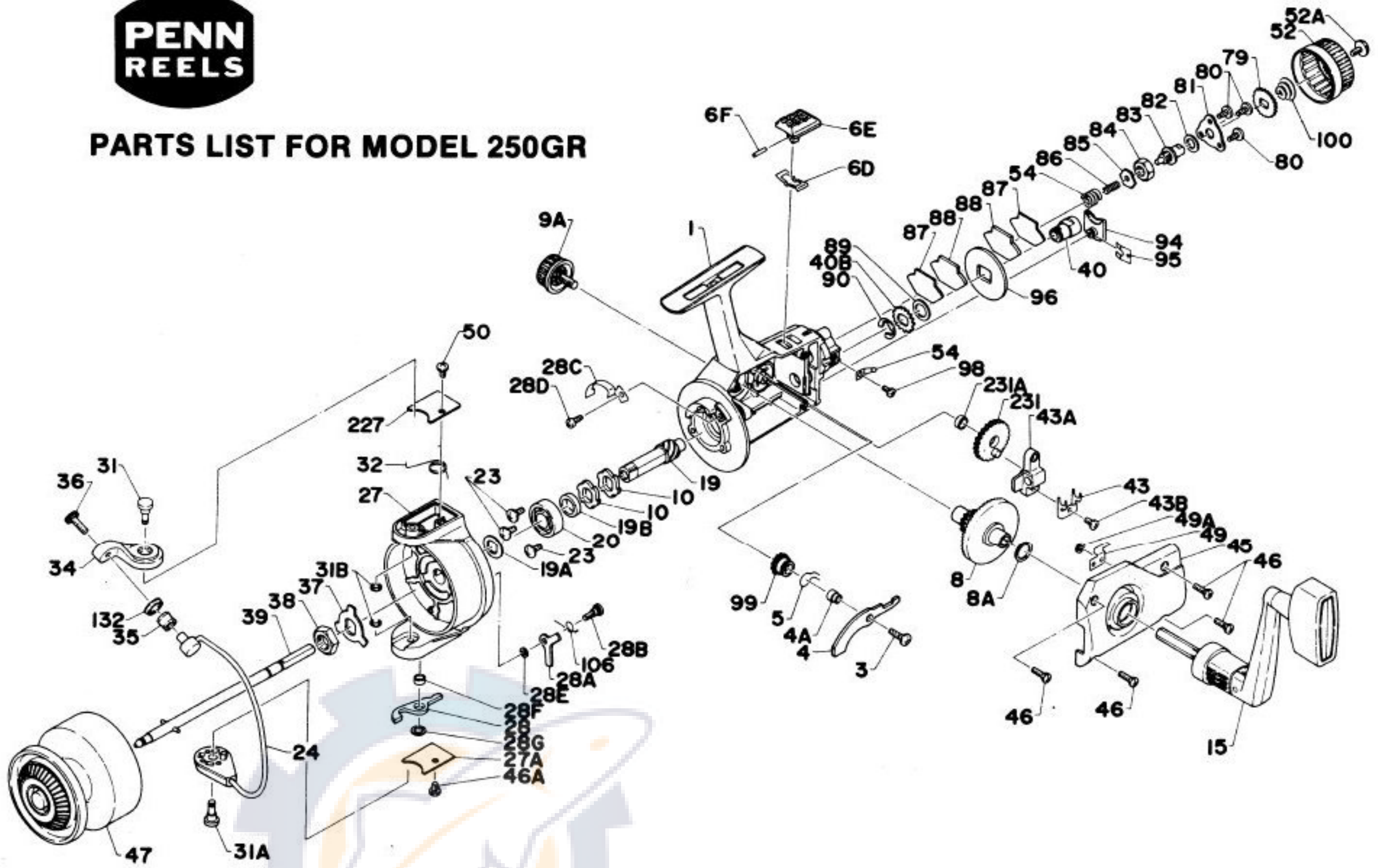


PARTS LIST FOR MODEL 250GR



Penn Reel Parts list for:

KEY PART NO.	NO.	DESCRIPTION
1	1-250	HOUSING
3	3-250	DOG MOUNTING SCREW
4	4-250	DOG
5	5-250	DOG SPRING
6D	6D-240	ECCENTRIC SPRING
6E	6E-250	ECCENTRIC LEVER
6F	6F-240	ECCENTRIC LEVER MTG. PIN
8	8-250	MAIN GEAR
8A	8A-250	MAIN GEAR SHIM
9A	9A-250	HANDLE LOCK SCREW
10	10-250	ANTI-REVERSE RATCHET
15	15-250	HANDLE ASSEMBLY
19	19-250GR	PINION GEAR
19A	19A-250	ROTOR WASHER
19B	19B-250	PINION GEAR SPACER
20	20-250	BALL BEARING
23	23-250	BEARING RET. SCREW
24	24-250	BAIL
27	27-250	ROTOR
27A	27A-250	ROTOR COVER
28	28-250GR	TRIP LEVER
28A	28A-250	CAM LEVER
28B	28B-240	CAM LEVER MTG. SCREW
28C	28C-250	TRIP CAM
28D	28D-250	TRIP CAM MTG. SCREW
28E	28E-240	CAM LEVER SHIM
28F	28F-250	TRIP LEVER BUSHING
28G	28G-240	TRIP LEVER SHIM
31	31-250	BAIL ARM PIN
31A	31A-250	BAIL WIRE MTG. PIN
31B	31B-240	RETAINING RING
32	32-250	BAIL SPRING
34	34-250	BAIL ARM
35	35-250	LINE ROLLER
36	36-250	BAIL ROLLER SCREW
37	37-250	ROTOR CUP WASHER
38	38-250	ROTOR CUP NUT
39	39-250	SPOOL SHAFT
40	40-250	DRAG SLEEVE

Model: 250GR

KEY PART NO.	NO.	DESCRIPTION
40B	40B-250	CLICK RATCHET
43	43-250	CROSSWIND ARM
43A	43A-250	CROSSWIND BLOCK
43B	43B-240	CROSSWIND ARM SCREW
45	45-250	HOUSING COVER
46	46-240	HOUSING COVER SCREW
46A	46A-250	ROTOR CUP COVER SCREW
47	47-250	SPOOL
49	49-250	CLICK SPRING
49A	49A-250	CLICK SPRING SCREW
50	50-250	BAIL SPRING COVER SCREW
52	52-250	DRAG KNOB
52A	52A	DRAG KNOB MTG. SCREW
54	54-250	DRAG KNOB SPRING
79	79-250	PLUNGER DRIVE DISK
80	80-250	PLUNGER DRIVE RET. PLATE SCREW
81	81-250	PLUNGER DRIVE RET. PLATE
82	82-250	PLUNGER DRIVE SHIM
83	83-250	PLUNGER DRIVE
84	84-250	PLUNGER DRIVE NUT
85	85-250	PLUNGER DRIVE NUT SHIM
86	86-250	TENSION SPRING POST
87	87-250	DRAG WASHER METAL
88	88-250	DRAG PADS (2)
89	89-250	CLICK WHEEL SHIM
90	90-250	CLICK WHEEL RETAINING CUP
94	94-250	BACK COVER PLATE
95	95-250	BACK COVER PLATE RETAINER
96	96-250	DRAG DISC METAL
97	97-250	DRAG KNOB CLICK SPRING
98	98-250	DRAG KNOB CLICK SPRING SCREW
99	99-250	SILENT ANTI-REVERSE GEAR
100	100-250	CONICAL SPRING
106	106-240	CAM LEVER SPRING
132	132-250	ROLLER WASHER
227	227-250	BAIL SPRING COVER
231	231-250	CROSSWIND GEAR
231A	231A-250	CROSSWIND GEAR BUSHING