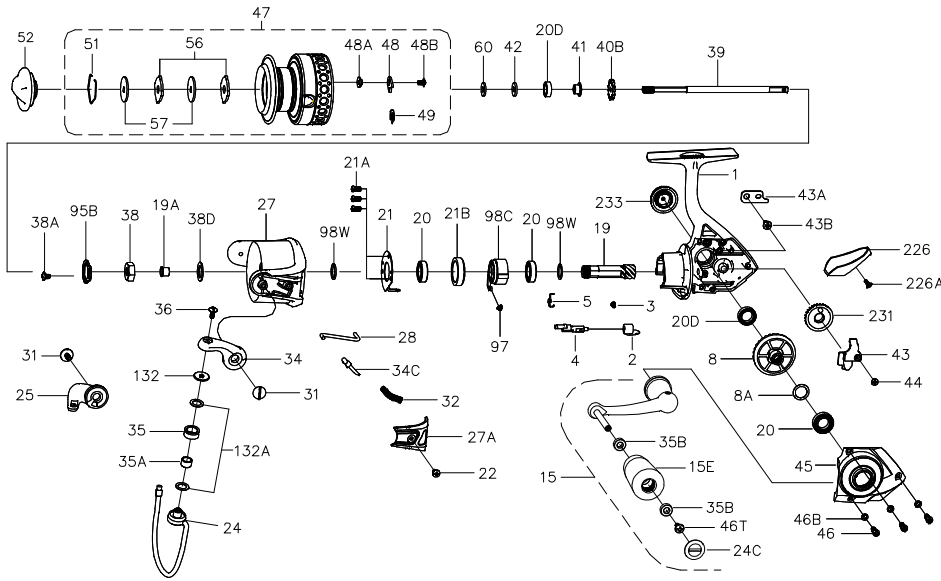




PARTS LIST FOR MODEL PAS2500



KEY NO.	PART NO.	PENN STYLE NO.	DESCRIPTION
1	1450253	1-PAS2500	Housing Assembly
2	1190889	2-2000SG	A/R Lever
3	1190922	3-2000SG	A/R Lever Screw
4	1313805	4-CFT2500	A/R Shaft
5	1313806	5-CFT2500	A/R Spring
8	1450254	8-PAS2500	Main Gear
8A	1191028	8A-3000SG	Shim
15	1450255	15-PAS2500	Handle Assembly
15E	1451515	15E-PAS3000	Handle Knob
19	1450256	19-PAS2500	Pinion Gear
19A	1364314	19A-BTLII2500	Pinion Bushing
20	1308050	20-CFT3000	Ball Bearing (3 req)
20D	1211610	20D-5000BTL	Housing Ball Bearing
20D	1211567	20D-2000BTL	Spool Ball Bearing
21	1192629	21-2000SG	Bearing Retainer
21A	1192644	21A-3000SG	Bearing Retainer Screw (3 req)
21B	1192646	21B-2000SG	Collar
22	1203978	22-3000PUR	Bail Pivot Cover Screw
24	1313809	24-CFT2500	Bail Wire
24C	1316409	24C-CFT2000	Handle Knob Cap
25	1313810	25-CFT2500	Bail Holder
27	1450257	27-PAS2500	Rotor
27A	1313812	27A-CFT2500	Bail Pivot Cover

KEY NO.	PART NO.	PENN STYLE NO.	DESCRIPTION
28	1313813	28-CFT2500	Trip Lever
31	1313814	31-CFT2500	Bail Arm Screw (2 req)
32	1191583	32-2000SG	Bail Spring
34	1313815	34-CFT2500	Bail Arm
34C	1313816	34C-CFT2500	Pivot Arm
35	1324189	35-BTLII2000	Line Roller
35A	1313818	35A-CFT2500	Line Roller Bushing
35B	1451517	35B-PAS3000	Bushing (2 req)
36	1251748	36-1000FRC	Bail Stud Screw
38	1191727	38-2000SG	Rotor Nut
38A	1203995	38A-3000PUR	Rotor Locking Plate Screw
38D	1308070	38D-CFT3000	Rotor Nut Washer
39	1313819	39-CFT2500	Main Shaft
40B	1191778	40B-2000SG	Click Ratchet
41	1211573	41-2000BTL	Spool Bushing
42	1249042	42-1000BTL	Spool Shaft Washer
43	1313820	43-CFT2500	Crosswind Block
43A	1191818	43A-3000SG	Crosswind Block Plate
43B	1191826	43B-3000SG	Crosswind Block Plate Screw
44	1191843	44-3000SG	Crosswind Block Screw
45	1450258	45-PAS2500	Housing Cover Assembly
46	1191901	46-3000SG	Housing Cover Screw (3 req)
46B	1191907	46B-3000SG	Housing Cover Washer (3 req)
46T	1316411	46T-CFT2000	Screw
47	1450259	47-PAS2500	Spool Assembly
48	1211604	48-3000SG	Click Tongue
48A	1214226	48A-3000SG	Click Tongue Washer
48B	1450260	48B-PAS2500	Spool Click Screw
49	1211605	49-3000SG	Click Tongue Spring
51	1313823	51-CFT2500	Drag Retaining Ring
52	1313824	52-CFT2500	Drag Knob Assembly
56	1313825	56-CFT2500	Drag Washer (2 req)
57	1192041	57-2000SG	Keyed Washer (2 req)
60	1192059	60-2000SG	Thrust Washer
95B	1308081	95B-CFT3000	Rotor Locking Plate
97	1192189	97-2000SG	Clutch Spring
98C	1192211	98C-2000SG	Clutch/Sleeve Assembly
98W	1192229	98W-3000SG	Upper Clutch Washer
98W	1204004	98W-3000PUR	Lower Clutch Washer
132	1364008	132-BTLII2500	Roller Washer
132A	1192301	132A-2000SG	Line Roller Washer (2 req)
226	1313827	226-CFT2500	Rear Cover
226A	1192473	226A-3000SG	Rear Cover Screw
231	1313828	231-CFT2500	Crosswind Gear
233	1308084	233-CFT3000	Bearing Cover Assembly

407-PAS2500 Rev. 0 02-17-17

1422313