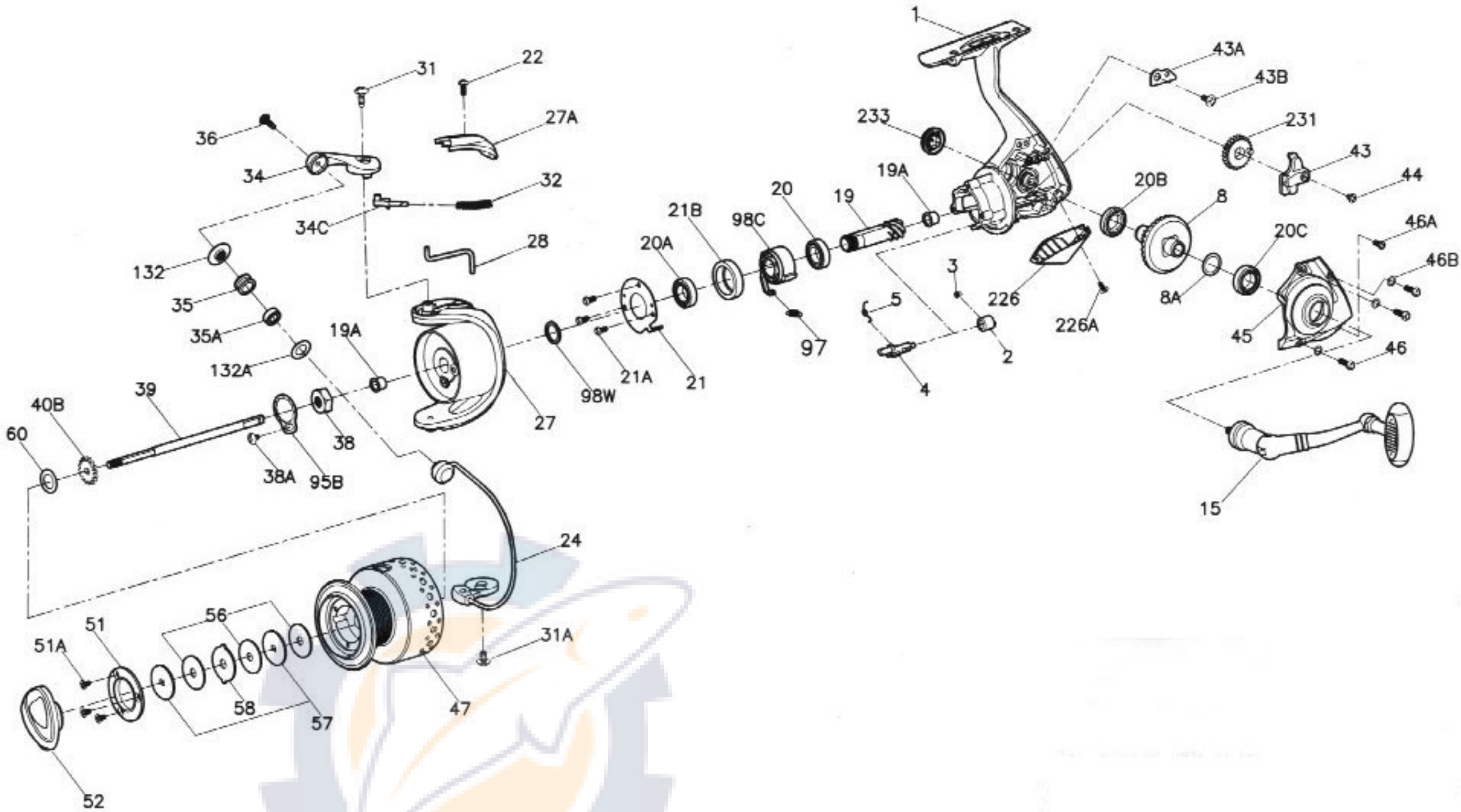




PARTS LIST FOR MODEL SG2000



Penn Reel Parts list for:

Model: SG2000 Sargus Spinning Series

KEY NO	PART NO.	DESCRIPTION
1	1-2000SG	HOUSING
2	2-2000SG	A/R LEVER
3	3-2000SG	A/R LEVER SCREW
4	4-2000SG	A/R SHAFT
5	5-2000SG	A/R SPRING
8	8-3000SG	MAIN GEAR ASSEMBLY
8A	8A-3000SG	MAIN GEAR SHIM
15	15-2000SG	HANDLE ASSEMBLY
19	19-2000SG	PINION GEAR
19A	19A-2000SG	PINION BUSHING (2 REQUIRED)
20	20-2000SG	LOWER PINION BALL BEARING
20A	20A-2000SG	UPPER PINION BALL BEARING
20B	20B-3000SG	HOUSING BALL BEARING
20C**	20A-2000SG	HOUSING COVER BALL BEARING
21	21-2000SG	BEARING RETAINER
21A	21A-3000SG	BEARING RETAINER SCREW (3 REQUIRED)
21B	21B-2000SG	COLLAR
22	22-2000SG	BAIL ARM COVER SCREW
24	24-2000SG	BAIL WIRE
27	27-2000SG	ROTOR CUP
27A	27A-2000SG	BAIL PIVOT COVER
28	28-2000SG	TRIP LEVER
31	31-2000SG	BAIL ARM SCREW
31A	31A-3000SG	BAIL CAM SCREW
32	32-2000SG	BAIL SPRING
34	34-2000SG	BAIL ARM
34C	34C-2000SG	PIVOT ARM
35	35-2000SG	LINE ROLLER
35A	35A-2000SG	LINE ROLLER BEARING

KEY NO	PART NO.	DESCRIPTION
36	36-3000SG	BAIL STUD SCREW
38	38-2000SG	ROTOR NUT
38A	38A-3000SG	ROTOR LOCKING PLATE SCREW
39	39-2000SG	SPOOL SHAFT
40B	40B-2000SG	CLICK RATCHET
43	43-2000SG	CROSSWIND BLOCK
43A	43A-2000SG	CROSSWIND BLOCK PLATE
43B	43B-2000SG	CROSSWIND BLOCK PLATE SCREW
44	44-3000SG	CROSSWIND BLOCK SCREW
45	45-2000SG	HOUSING COVER
46	46-3000SG	HOUSING COVER SCREW (3 REQUIRED)
46A	46A-3000SG	HOUSING COVER SCREW A
46B	46B-3000SG	HOUSING COVER WASHER (3 REQUIRED)
47	47-2000SG	SPOOL ASSEMBLY
51	51-2000SG	RETAINING SPACER
51A	51A-2000SG	RETAINING SCREW (3 REQUIRED)
52	52-2000SG	DRAG KNOB
56	56-2000SG	DRAG WASHER HT100 (3 REQUIRED)
57	57-2000SG	KEYED DRAG WASHER (2 REQUIRED)
58	58-2000SG	EARRED DRAG WASHER
60	60-2000SG	THRUST WASHER
95B	95B-3000SG	ROTOR LOCKING PLATE
97	97-2000SG	CLUTCH SPRING
98C	98C-2000SG	CLUTCH/SLEEVE ASSEMBLY
98W	98W-2000SG	CLUTCH WASHER
132	132-2000SG	ROLLER WASHER
132A	132A-2000SG	LINE ROLLER WASHER
226	226-2000SG	REAR COVER
226A	226A-3000SG	REAR COVER SCREW
231	231-2000SG	CROSSWIND GEAR
233	233-3000SG	BEARING COVER