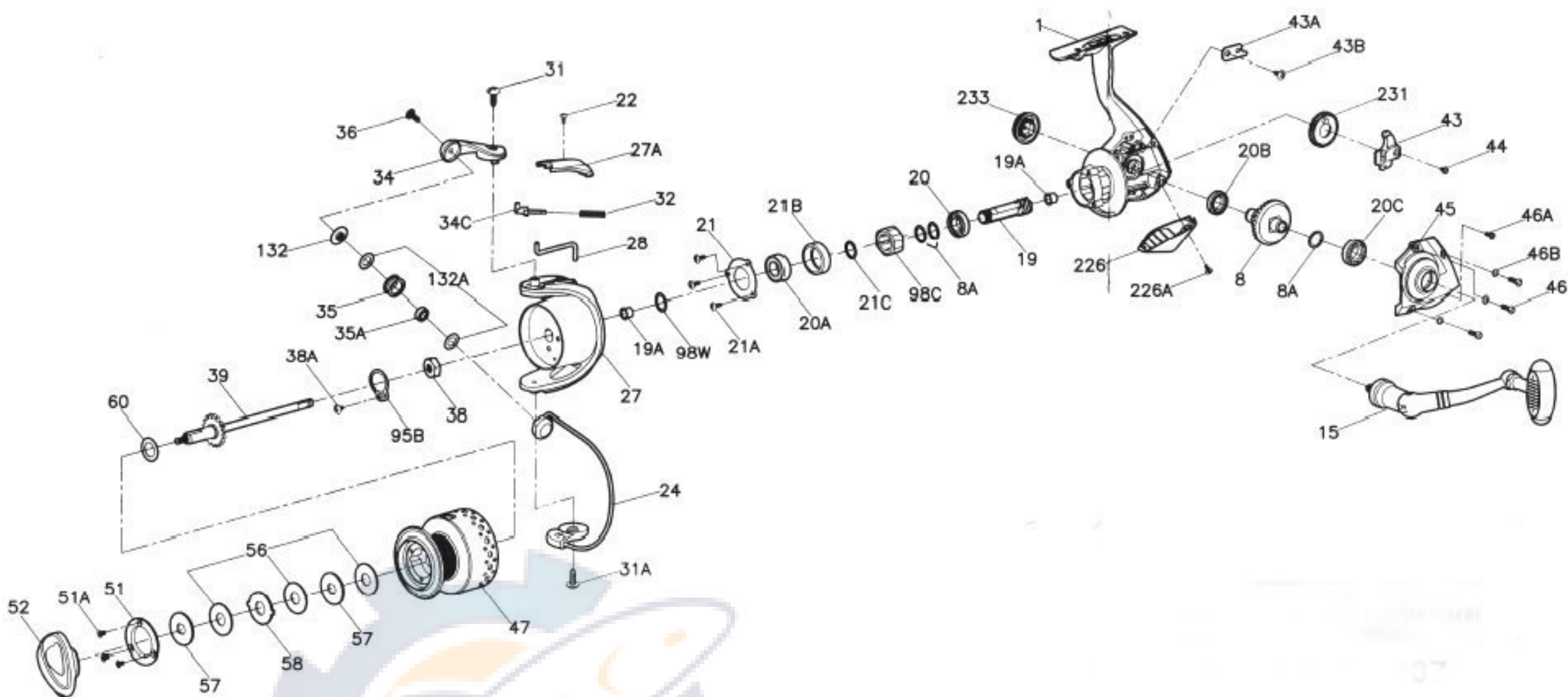




PARTS LIST FOR MODEL SG4000



Penn Reel Parts list for:

KEY PART

NO	NO.	DESCRIPTION
1	1-4000SG	HOUSING
8	8-3000SG	MAIN GEAR ASSEMBLY
8A	8A-3000SG	MAIN GEAR SHIM
15	15-3000SG	HANDLE ASSEMBLY
19	19-3000SG	PINION GEAR
19A	19A-3000SG	PINION BUSHING (2 REQUIRED)
20	20-3000SG	LOWER PINION BALL BEARING
20A	20A-3000SG	UPPER PINION BALL BEARING
20B	20B-3000SG	HOUSING BALL BEARING
20C	20C-3000SG	HOUSING COVER BALL BEARING
21	21-3000SG	BEARING RETAINER
21A	21A-3000SG	BEARING RETAINER SCREW (3 REQUIRED)
21B	21B-3000SG	COLLAR
21C	21C-3000SG	SHIM (**NOT ON ORIG. SCHEMATIC, ASSIGNED #)
22	22-3000SG	BAIL ARM COVER SCREW
24	24-4000SG	BAIL WIRE
27	27-4000SG	ROTOR CUP
27A	27A-4000SG	BAIL PIVOT COVER
28	28-3000SG	TRIP LEVER
31	31-3000SG	BAIL ARM SCREW
31A	31A-3000SG	BAIL CAM SCREW
32	32-3000SG	BAIL SPRING
34	34-3000SG	BAIL ARM
34C	34C-3000SG	PIVOT ARM
35	35-3000SG	LINE ROLLER
35A	35A-3000SG	LINE ROLLER BEARING

Model: SG4000 Sargus Spinning Series

KEY PART

NO	NO.	DESCRIPTION
36	36-3000SG	BAIL STUD SCREW
38	38-3000SG	ROTOR NUT
38A	38A-3000SG	ROTOR LOCKING PLATE SCREW
39	39-3000SG	SPOOL SHAFT
43	43-3000SG	CROSSWIND BLOCK
43A	43A-3000SG	CROSSWIND BLOCK PLATE
43B	43B-3000SG	CROSSWIND BLOCK PLATE SCREW
44	44-3000SG	CROSSWIND BLOCK SCREW
45	45-4000SG	HOUSING COVER
46	46-3000SG	HOUSING COVER SCREW (3 REQUIRED)
46A	46A-3000SG	HOUSING COVER SCREW A
46B	46B-3000SG	HOUSING COVER WASHER (3 REQUIRED)
47	47-4000SG	SPOOL ASSEMBLY
51	51-3000SG	RETAINING SPACER
51A	51A-3000SG	RETAINING SCREW (3 REQUIRED)
52	52-3000SG	DRAG KNOB
56	56-3000SG	DRAG WASHER HT100 (3 REQUIRED)
57	57-3000SG	KEYED DRAG WASHER (2 REQUIRED)
58	58-3000SG	EARRED DRAG WASHER
60	60-3000SG	THRUST WASHER
95B	95B-3000SG	ROTOR LOCKING PLATE
98C	98C-3000SG	CLUTCH/SLEEVE ASSEMBLY
98W	98W-3000SG	CLUTCH WASHER
132	132-3000SG	ROLLER WASHER
132A	132A-3000SG	LINE ROLLER WASHER
226	226-3000SG	REAR COVER
226A	226A-3000SG	REAR COVER SCREW
231	231-3000SG	CROSSWIND GEAR
233	233-3000SG	BEARING COVER