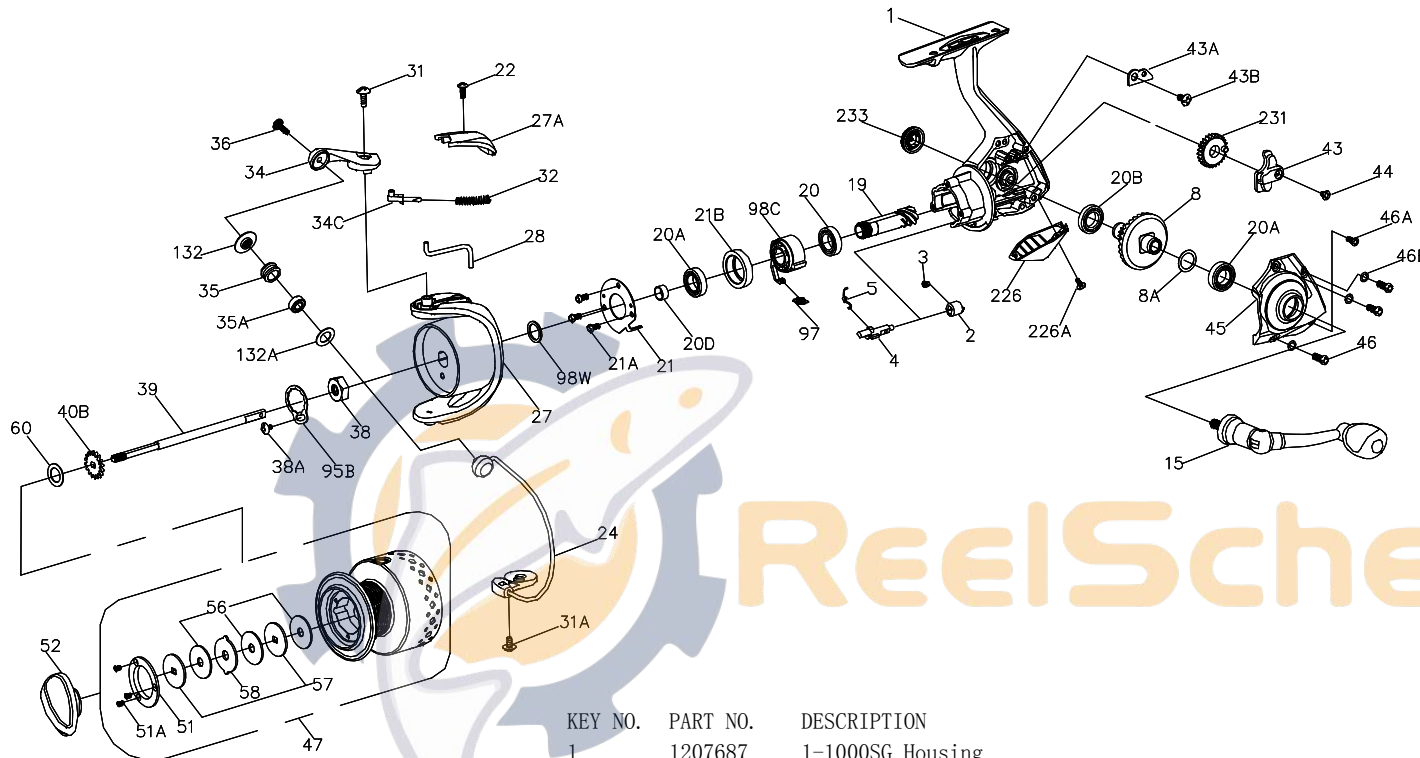




PARTS LIST FOR MODEL SG1000
REEL PART NO.1203159



| KEY NO. | PART NO. | DESCRIPTION |
|---------|----------|---|
| 22 | 1192658 | 22-2000SG Bail Pivot Cover Screw |
| 24 | 1207724 | 24-1000SG Bail Wire Assembly |
| 27 | 1207725 | 27-1000SG Rotor |
| 27A | 1207726 | 27A-1000SG Bail Pivot Cover |
| 28 | 1249038 | 28-1000SG Trip Lever |
| 31 | 1191566 | 31-2000SG Bail Arm Screw |
| 31A | 1191574 | 31A-3000SG Bail Cam Screw |
| 32 | 1207824 | 32-1000SG Bail Spring |
| 34 | 1191625 | 34-2000SG Bail Arm |
| 34C | 1191648 | 34C-2000SG Pivot Arm |
| 35 | 1191670 | 35-2000SG Line Roller |
| 35A | 1191682 | 35A-2000SG Line Roller Bearing |
| 36 | 1251748 | 36-1000FRC Bail Stud Screw |
| 38 | 1207727 | 38-1000SG Rotor Nut |
| 38A | 1191734 | 38A-3000SG Rotor Locking Plate Screw |
| 39 | 1207728 | 39-1000SG Spool Shaft |
| 40B | 1191778 | 40B-2000SG Click Ratchet |
| 43 | 1207729 | 43-1000SG Crosswind Block |
| 43A | 1207730 | 43A-1000SG Crosswind Block Plate |
| 43B | 1191826 | 43B-3000SG Crosswind Block Plate Screw |
| 44 | 1191843 | 44-3000SG Crosswind Block Screw |
| 45 | 1207731 | 45-1000SG Housing Cover |
| 46 | 1251750 | 46-1000FRC Housing Cover Screw (3 req) |
| 46A | 1191906 | 46A-3000SG Housing Cover Screw A |
| 46B | 1191907 | 46B-3000SG Housing Cover Washer (3 req) |
| 47 | 1207732 | 47-1000SG Spool Complete |
| 51 | 1191975 | 51-2000SG Retaining Spacer |
| 51A | 1191986 | 51A-3000SG Retaining Screw (3 req) |
| 52 | 1207733 | 52-1000SG Drag Knob |
| 56 | 1192033 | 56-2000SG Drag Washer (3 req) |
| 57 | 1251753 | 57-1000FRC Keyed Washer (2 req) |
| 58 | 1192049 | 58-2000SG Earred Washer |
| 60 | 1192059 | 60-2000SG Thrust Washer |
| 95B | 1192185 | 95B-3000SG Rotor Locking Plate |
| 97 | 1192189 | 97-2000SG Clutch Spring |
| 98C | 1207734 | 98C-1000SG Clutch/Sleeve Assembly |
| 98W | 1251754 | 98W-1000FRC Clutch Washer |
| 132 | 1192295 | 132-2000SG Roller Washer |
| 132A | 1192301 | 132A-2000SG Line Roller Washer |
| 226 | 1207736 | 226-1000SG Rear Cover |
| 226A | 1192473 | 226A-3000SG Rear Cover Screw |
| 231 | 1207737 | 231-1000SG Crosswind Gear |
| 233 | 1192519 | 233-3000SG Bearing Cover |

| KEY NO. | PART NO. | DESCRIPTION |
|---------|----------|---|
| 1 | 1207687 | 1-1000SG Housing |
| 2 | 1190889 | 2-2000SG A/R Lever |
| 3 | 1190922 | 3-2000SG A/R Lever Screw |
| 4 | 1190935 | 4-2000SG A/R Shaft |
| 5 | 1190960 | 5-2000SG A/R Spring |
| 8 | 1207688 | 8-1000SG Main Gear |
| 8A | 1191028 | 8A-3000SG Shim |
| 15 | 1249049 | 15-1000BTL Handle Assembly |
| 19 | 1207720 | 19-1000SG Pinion |
| 20 | 1207721 | 20-1000SG Ball Bearing |
| 20A | 1192616 | 20A-2000SG Ball Bearing (2 req) |
| 20B | 1192619 | 20B-3000SG Ball Bearing |
| 20D | 1251742 | 20D-1000SG Bearing Sleeve |
| 21 | 1192629 | 21-2000SG Bearing Retainer |
| 21A | 1207723 | 21A-1000SG Bearing Retainer Screw (3 req) |
| 21B | 1192646 | 21B-2000SG Collar |