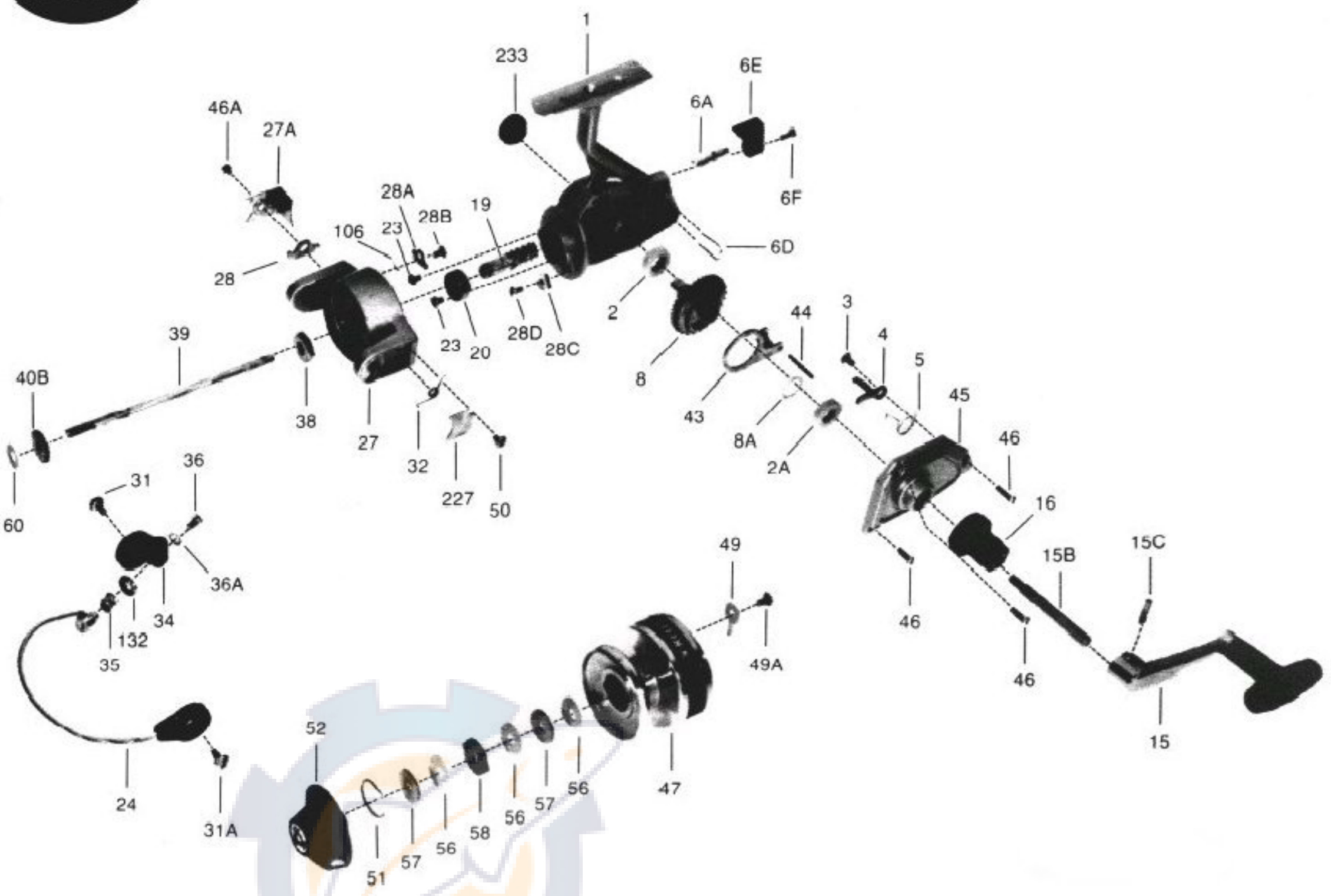




PARTS LIST FOR 105



Penn Reel Parts list for:

Model: 105

KEY PART			KEY PART		
NO	NO.	DESCRIPTION	NO	NO.	DESCRIPTION
1	1-105	HOUSING W/ BUSHING EMBLEM	31A	31-103	BAIL ARM SCREW
2	2-105	HOUSING BUSHING	32	32-105	BAIL SPRING
2A	2-105	COVER BUSHING	34	34-105	BAIL ARM
3	3-105	DOG MOUNTING SCREW	34A	34A-105	BAIL ARM SPACER
4	4-105	DOG	35	35-105	LINE ROLLER
6A	6A-105	ECCENTRIC	36	36-105	ROLLER MTG SCREW
6D	6D-105	ECCENTRIC SPRING	36A	36A-105	ROLLER LOCK WASHER
6E	6E-105	ECCENTRIC LEVER	38	38-105	ROTOR NUT
6F	31-101	ECCENTRIC LEVER MTG SCREW	39	39-105	CROSSWIND SHAFT
8	8-105	MAIN GEAR ASSEMBLY	40B	40B-105	CLICK RATCHET
8A	8A-105	MAIN GEAR SHIM	43	43-105	CROSSWIND ARM
10	10-105	ANTI-REVERSE RATCHET	43A	43A-105	CROSSWIND BLOCK
15	15-105	HANDLE	43B	43B-105	CROSSWIND ARM SCREW
15B	15B-105	HANDLE SHAFT	44	44-105	CROSSWIND PIN
15C	15C-105	HANDLE PIVOT PIN	45	45-105	HOUSING COVER W/ BUSHING
16	16-105	HANDLE COLLAR	46	46-103	HOUSING COVER SCREW
19	19-105	PINION GEAR	46A	46A-103	ROTOR END COVER SCREW
19A	19A-105	PINION GEAR SPACER	47	47-105	SPOOL (COMPLETE)
20	20-105	BALL BEARING	49	49-103	CLICK SPRING
21	21-105	BEARING COVER	49A	28D-101	CLICK SPRING SCREW
23	23-103	BEARING COVER SCREW	51	51-105	RETAINING RING
24	24-105	BAIL WIRE	50	23-103	BAIL SPRING COVER SCREW
27	27-105	ROTOR CUP	52	52-105	DRAG KNOB
27A	27A-105	ROTOR END COVER	56	56T-105	DRAG WASHER (TEFLON)
28	28-105	TRIP LEVER	57	57-105	DRAG WASHER (KEYED)
28A	28A-105	CAM LEVER	58	58-105	DRAG WASHER (EAR)
28B	28B-105	CAM LEVER MTG SCREW	60	60-105	THRUST WASHER (TEFLON)
28C	28C-105	TRIP CAM	106	106-105	CAM LEVER SPRING
28D	28D-101	CAM MOUNT SCREW	132	132-105	ROLLER WASHER
31	31-103	BAIL ARM SCREW	227	227-105	BAIL SPRING COVER
			233	233-105	HOUSING HANDLE CAP