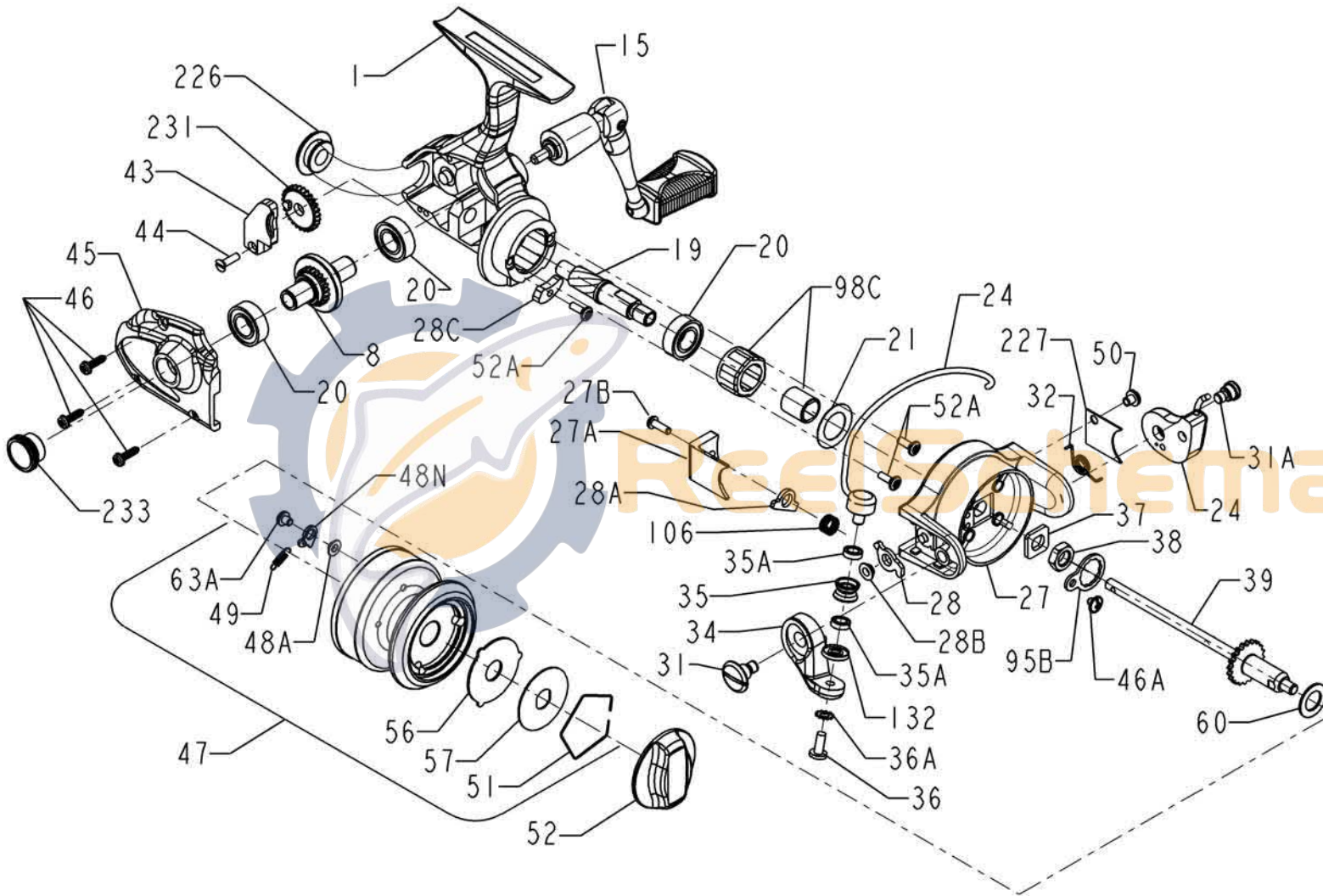




PARTS LIST FOR MODEL 430SSG

REEL PART NO. 1152057



KEY NO.	PART NO.	ORIGINAL PENN NO.	DESCRIPTION
1	1180509	001 430G	Housing
8	1181083	008 430G	Main Gear
15	1181469	015 430G	Handle Assembly
19	1191238	019 430G	Pinion
20	1181792	020 722	Ball Bearing
21	1192635	021 430G	Bearing Retainer
24	1191301	024 430G	Bail Wire (Complete)
27	1191410	027 430G	Rotor Cup
27A	1182320	027A4300	Bail Trip Cover
27B	1182338	027B420	Screw
28	1182393	028 420	Trip Lever
28A	1182426	028A440	Cam Lever
28B	1182441	028B440	Trip Lever Bushing
28C	1192674	028C420G	Trip Cam
31	1191568	031 430G	Bail Arm Screw
31A	1182689	031A550G	Bail Cam Screw
32	1182725	032 420	Bail Spring
34	1182818	034 420	Bail Arm
35	1182931	035 550G	Line Roller
35A	1182965	035A8500J	Ball Bearing
36	1183016	036 750	Bail Stud Screw
36A	1183032	036A750	Lock Washer
37	1183076	037 420	Rotor Washer
38	1183158	038 720	Rotor Cup Nut
39	1191752	039 430G	Spool Shaft
43	1191804	043 430G	Crosswind Block
44	1183443	044 260	Cover Block Screw
45	1191867	045 430G	Housing Cover
46	1191902	046 430G	Self Tapping Screw
46A	1235665	046A420	Retaining Plate Screw
47	1191930	047 430G	Spool (Complete)
48A	1183720	048A4300	Click Tongue Bushing
48N	1183727	048N4300	Click Tongue
49	1183737	049 4300	Click Spring
50	1183766	050 712	Bail Cover Screw
51	1191977	051 430G	Retaining Ring
52	1183816	052 430G	Drag Knob Assembly
52A	1183843	052A260	Screw
56	1183905	056 4200	Drag Washer HT-100
57	1183930	057 4200	Drag Washer (Metal)
60	1184006	060 716	Thrust Washer
63A	1184057	063A2.5FR	Click Spring Screw
95B	1235666	095B420	Retaining Plate
98C	1192216	098C550G	Clutch / Sleeve Asm
106	1184432	106 5500	Cam Lever Spring
132	1184589	132 5500J	Roller Washer
226	1192459	226 430G	Rear Cap
227	1185044	227 4300	Bail Spring Cover
231	1192501	231 430G	Crosswind Gear
233	1185140	233 430G	Bearing Cover