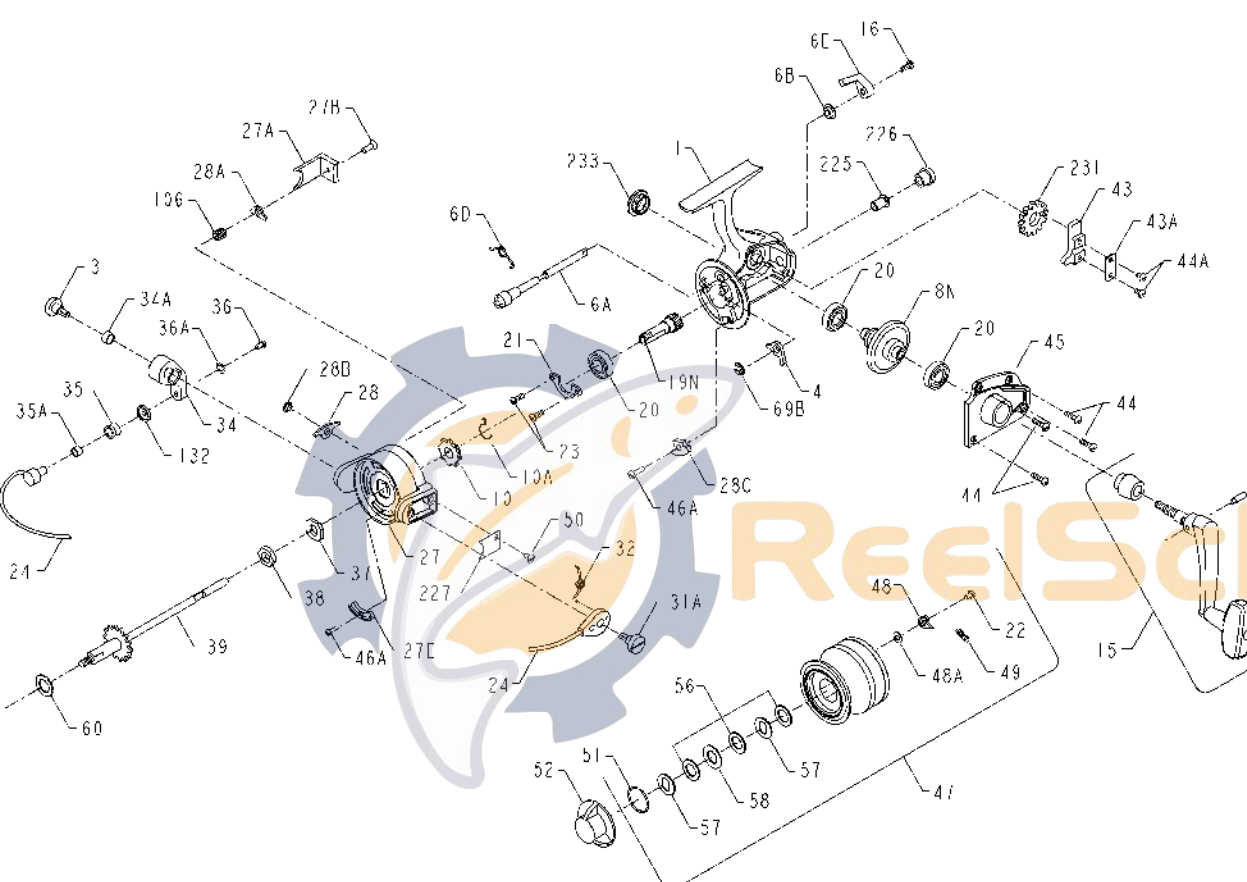




# PARTS LIST FOR MODELS 4500SS & 5500SS

REEL ASSEMBLY NOs. 1151133 (4400SS) & 1151138 (5500SS)



KEY NO.	4500SS PART NO.	ORDER PART NO.	DESCRIPTION	ORDER PART NO.	5500SS PART NO.
**1	**001P4500	**1180583	**Housing	**1180584	**001P5500
4	004N4400	1180804	Dog	1180804	004N4400
6A	006A450	1180948	Eccentric	1180948	006A450
6B	006B750	1180967	Eccentric Liner	1180967	006B750
6D	006D710	1180977	Eccentric Spring	1180977	006D710
6E	006E750	1180987	Eccentric Lever	1180987	006E750
8N	008N5500	1181134	Main Gear	1181134	008N5500
10	010N4400	1181222	Ratchet	1181222	010N4400
10A	230N5500	1185068	Friction Spring	1185068	230N5500
15	015 550G	1181481	Handle Assembly	1181481	015 550G
16	016 910	1181585	Eccentric Screw	1181585	016 910
19N	019N4500	1181750	Pinion	1181751	019N5500
20	020 722	1181792	Ball Bearing (3 req.)	1181792	020 722
21	021 450	1181869	Bearing Cover	1181869	021 450
22	022 750	1181922	Spool Click Screw	1181922	022 750
23	023 750	1181953	Bearing Cover Screw(2 req.)	1181953	023 750
24	024 450	1182037	Bail Wire	1182045	024 5500
27	027 4500	1182241	Rotor	1182262	027 5500
27A	027A450	1182322	Bail Trip Cover	1182326	027A5500
27B	027B420	1182338	Rotor End Screw	1182338	027B420
27E	027E5500	1182345	Balance Weight	1182345	027E5500
28	028 450	1182395	Trip Lever	1182401	028 5500
28A	028A440	1182426	Cam Lever	1182426	028A440
28B	028B5500	1182442	Trip Lever Bushing	1182442	028B5500
28C	028C440	1182451	Trip Cam	1182451	028C440
31	031 550	1182671	Bail Arm Screw	1182671	031 550
31A	031A450	1182688	Bail Cam Screw	1182688	031A450
32	032 440	1182726	Bail Spring	1182726	032 440
34	034 450	1182819	Bail Arm	1182819	034 450
34A	034A550	1182845	Bail Arm Bushing	1182845	034A550
35	035 704	1182937	Line Roller	1182937	035 704
35A	035A704	1182962	Line Roller Bushing	1182962	035A704
36	036 750	1183016	Bail Stud Screw	1183016	036 750
36A	036A750	1183032	Lock Washer	1183032	036A750
37	037 450	1183077	Rotor Washer	1183077	037 450
38	038 550	1183153	Rotor Nut	1183153	038 550
39	039N4500	1183257	Spool Shaft	1183258	039N5500
43	043N5500	1183430	Crosswind Block	1183430	043N5500
43A	043A550	1183425	Crosswind Block Plate	1183425	043A550
44	044 704	1183458	Cover Screw (4 req.)	1183458	044 704
44A	022 750	1181922	Crosswind Block Screw(2 req)	1181922	022 750
45	045 5500	1183511	Housing Cover	1183511	045 5500
46A	046A704	1183586	Screw (2 req.)	1183586	046A704
47	047 4500	1183640	Spool Assembly	1183648	047 5500
48	048 450	1183409	Click Tongue	1183415	048 750
48A	048A750	1183722	Click Tongue Washer	1183722	048A750
49	049 710	1183741	Click Tongue Spring	1183741	049 710
50	050 712	1183766	Bail Spring Cover Screw	1183766	050 712
51	051 710	1183796	Retaining Ring	1183796	051 710
52	052 550	1183824	Drag Knob	1183824	052 550
56	056 710	1183907	Drag Washer-HT100 (3 req.)	1183907	056 710
57	057 710	1183938	Metal Keyed Washer (2 req.)	1183938	057 710
58	058 710	1183961	Metal Slot (Octagon)	1183961	058 710
60	060 450	1183995	Thrust Washer	1183999	060 550
69B	069B4400	1184128	Dog Retaining Ring	1184128	069B4400
106	106 5500	1184432	Lever Spring	1184432	106 5500
132	132 450	1184586	Roller Washer	1184586	132 450
225	225 5500	1185005	Crosswind Shaft Bushing	1185005	225 5500
226	226 5500	1185016	Bushing Cap Cover	1185016	226 5500
227	227 440	1185045	Bail Spring Cover	1185045	227 440
**231	**231N4500	**1185119	**Crosswind Gear	**1185120	**231N5500
233	233 440*	1185142	Bearing Cover	1185142	233 440
*300	*300 5500	*1185243	*Optional Power Handle	*1185243	*300 5500

NOT ALL PARTS ARE AVAILABLE

\* Not Shown  
\*\*When ordering 001P4500 or 001P5500, you must order 231N4500 or 231N5500 respectively.