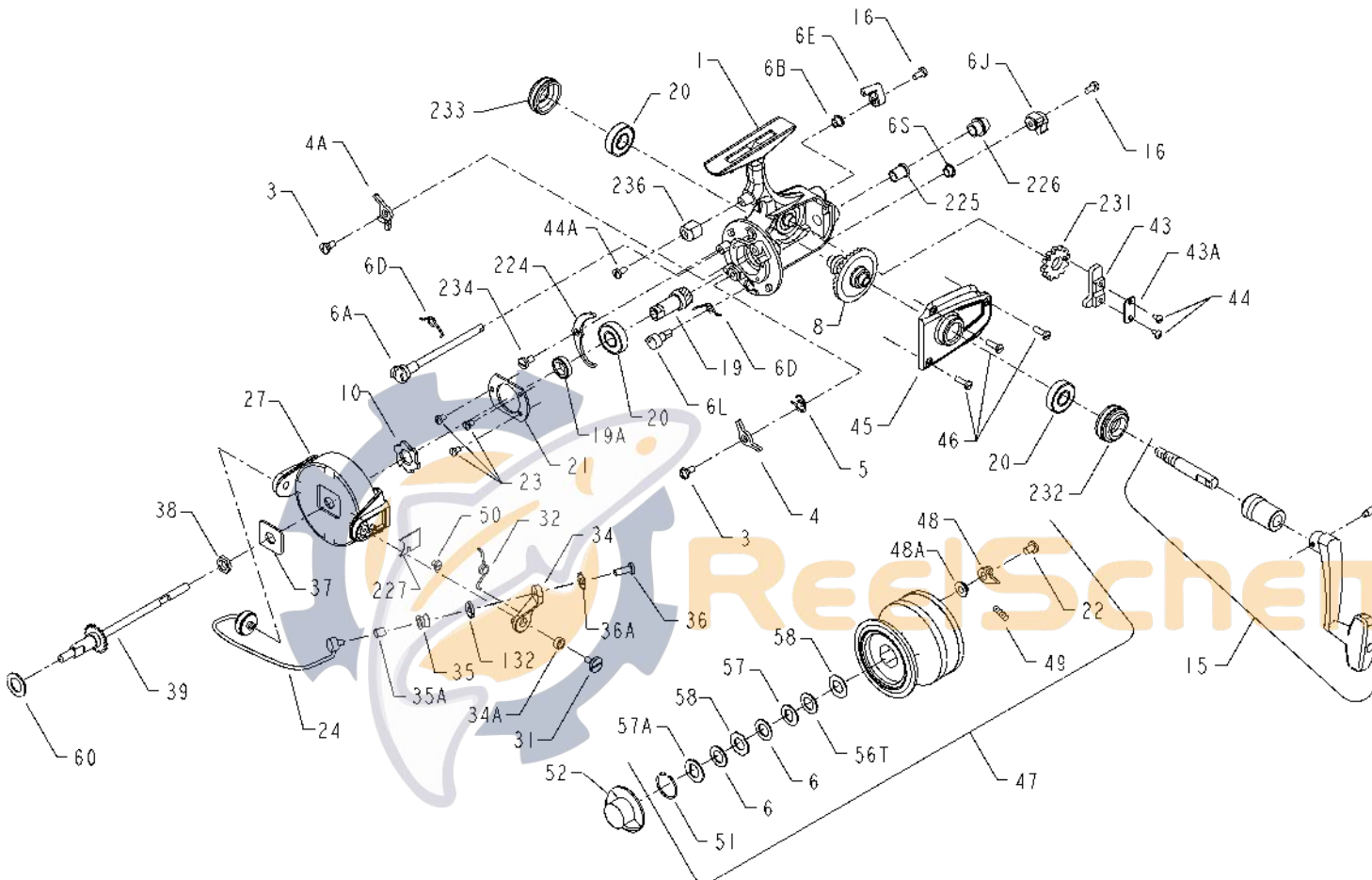




PARTS LIST FOR MODELS 7500SS & 8500SS

REEL ASSEMBLY NOS. 1151142 (7500SS) & 1151144 (8500SS)



NOT ALL PARTS ARE AVAILABLE

* Parts for 8500SS
** For reels manufactured before August 2003
** Main Gears are not interchangeable. When using the 008N750 Main Gear (Brass) the 019 750 Pinion (Beveled) must be used with it.

KEY NO.	PENN STYLE NO.	ORDER PART NO.	DESCRIPTION
6A	006A750	1180959	Upper Eccentric
6B	006B750	1180967	Upper Eccentric Liner
6D	006D710	1180977	Eccentric Spring
6E	006E750	1180987	Anti-Reverse Lever
6J	006J750	1180996	Silent Dog Lever
6L	006L750	1180998	Silent Eccentric
6S	006B700Z	1180965	Silent Eccentric Liner
**8	**008N750	1181136	**Main Gear, (Brass)
8	008P7500	1181138	Main Gear, (Cast Zinc)
10	010 750	1181210	Ratchet
15	015N750M	1191192	Handle Assembly
*15	*015N950M	1181512	*Handle Assembly
16	016 910	1181585	Eccentric Screw (2 req.)
**19	**019 750	1181715	**Pinion, (Beveled)
19	019P7500	1181754	Pinion, (Srltaight)
19A	019A750	1181738	Pinion Spacer
20	020 704	1181790	Bearing (3 req.)
21	021 750	1181880	Bearing Cover
22	022 750	1181922	Spool Click Screw
23	023 750	1181953	Bearing Cover Screw (3 req.)
24	024 750	1182065	Bail Wire
*24	*024 850	*1182069	*Bail Wire
27	027 750	1182280	Rotor
*27	*027 850	*1182282	*Rotor
31	031 7500M	1182679	Bail Arm Screw
32	032 750	1182739	Bail Arm Spring
34	034 750	1182832	Bail Arm
34A	034A750	1182847	Bail Arm Bushing
35	035 750	1182942	Line Roller
35A	035A704	1182962	Line Roller Bushing
36	036 750	1183016	Bail Stud Screw
36A	036A750	1183032	Lock Washer
37	037 706	1183084	Rotor Washer
38	038 710	1183157	Rotor Nut
39	039 750	1183235	Spool Shaft
43	043 750	1183405	Crosswind Block
43A	043A750	1183427	Crosswind Block Plate
44	044 750	1183462	Crosswind Block Screw (2 req.)
44A	044 750	1183462	Trip Bumper Screw
45	045 7500	1183533	Housing Cover
46	046 750	1183576	Housing Cover Screw (3 req.)
47	047 7500	1183667	Spool (Complete)
*47	*047 8500	*1183670	*Spool (Complete)
48	048 750	1183715	Click Tongue
48A	048A750	1183722	Click Tongue Washer
49	049 710	1183741	Click Tongue Spring
50	050 712	1183766	Bail Spring Cover Screw
51	051 704	1183795	Retaining Ring
52	052 750	1183837	Drag Knob
56T	056T704	1183918	Drag Washer (Teflon®)
57	057 704	1183937	Drag Washer Keyed
57A	057A750	1183942	Drag Washer Keyed
58	058 704	1183960	Metal Keyed (Octagon) (2 req.)
60	060 750	1184007	Thrust Washer
132	132 750	1184595	Roller Washer
224	224 750	1184994	Transfer Lever
225	225 750	1185007	Crosswind Shaft Bushing
226	226 7500	1185020	Bushing Cap Cover
227	227 750	1185053	Bail Spring Cover
231	231 750	1185093	Crosswind Gear
232	232 750	1185124	Bearing Cover (Open)
233	233 750	1185150	Bearing Cover (Closed)
234	234 750	1185153	Transfer Lever Screw
236	236 750	1185156	Trip Bumper

KEY NO.	PENN STYLE NO.	PART NO.	DESCRIPTION
1	001 7500	1180550	Housing
*1	*001 8500	*1180552	*Housing
3	003 750	1180736	Dog Screw (2 req.)
4	004 750	1180787	Dog
4A	004A750	1180801	Silent Dog
5	005 704	1180877	Click Dog Spring
6	006 060	1180906	Drag Washer HT-100 (2 req.)