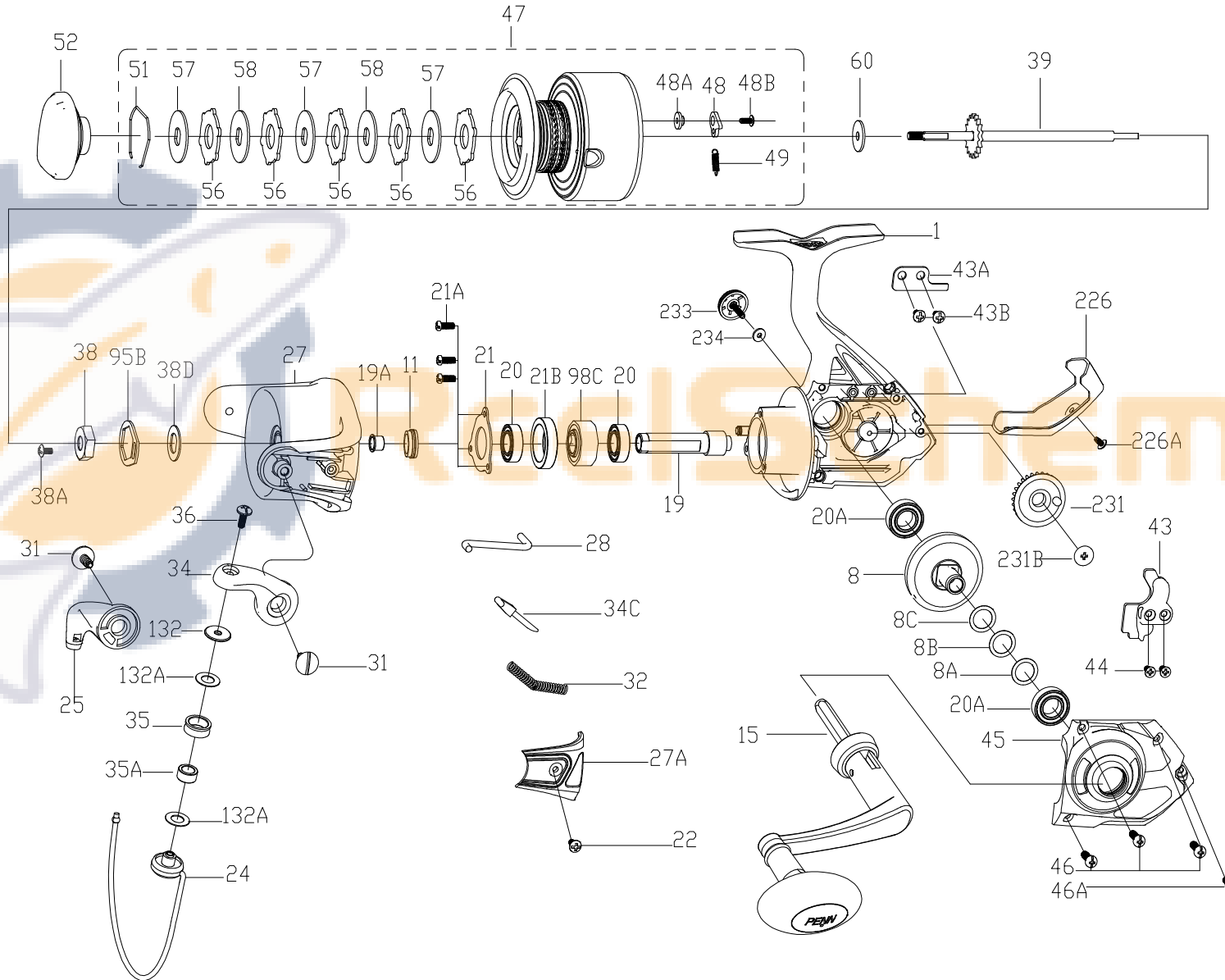




**WRTHII5000**  
**EXPLODED DRAWING**





Thank you for your recent PENN gear purchase. No matter where you fish or what you fish for, you can depend PENN to perform in any battle day in and day out. Now it's time to get your product registered and get out on the water.

<https://register.pennfishing.com>

KEY NO.	PART NO.	PENN STYLE NO.	DESCRIPTION	KEY NO.	PART NO.	PENN STYLE NO.	DESCRIPTION
1	1609400	1-WRTHII5000	Housing	39	1514973	39-WRTH5000	Main Shaft Assembly
8	1514967	8-WRTH5000	Main Gear	43	1485579	43-PURIII5000	Crosswind Block
8A	1191030	8A-5000SG	Shim	43A	1191820	43A-5000SG	Crosswind Block Plate
8B	1485572	8B-PURIII5000	Shim B	43B	1203997	43B-3000PUR	Screw (2 req)
8C	1485571	8C-PURIII5000	Shim C	44	1191845	44-5000SG	Crosswind Block Screw (2 req)
11	1191085	11-5000SG	Bushing	45	1609404	45-WRTHII5000	Housing Cover
15	1514968	15-WRTH5000	Handle Assembly	46	1485574	46-PURIII5000	Housing Cover Screw (3 req)
19	1485498	19-PURIII5000	Pinion Gear	46A	1485575	46A-PURIII5000	Housing Cover Screw
19A	1191253	19A-5000SG	Pinion Bushing	47	1609405	47-WRTHII5000	Spool Assembly
20	1204012	20-5000PUR	Ball Bearing (2 req)	48	1211625	48-5000SG	Click Tongue
20A	1514969	20A-WRTH5000	Housing Bushing (2 req)	48A	1211626	48A-5000SG	Click Tongue Washer
21	1192636	21-5000SG	Bearing Retainer	48B	1192658	22-2000SG	Spool Click Screw
21A	1204016	21A-5000PUR	Bearing Retainer Screw(3 req)	49	1211627	49-5000SG	Click Tongue Spring
21B	1324209	21B-BTLII5000	Collar	51	1308112	51-CFT5000	Drag Retaining Ring
22	1204018	22-6000PUR	Bail Pivot Cover Screw	52	1609406	52-WRTHII5000	Drag Knob Assembly
24	1514970	24-WRTH5000	Bail Wire	56	1192036	56-5000SG	Drag Washer (5 req)
25	1514971	25-WRTH5000	Bail Holder	57	1514977	57-WRTH5000	Keyed Washer (3 req)
27	1609401	27-WRTHII5000	Rotor	58	1192053	58-5000SG	Eared Washer (2 req)
27A	1609402	27A-WRTHII5000	Bail Pivot Cover	60	1514978	60-WRTH5000	Thrust Washer
28	1365739	28-FRCII5000	Trip Lever	95B	1308115	95B-CFT5000	Rotor Locking Plate
31	1365740	31-FRCII5000	Bail Arm Screw (2 req)	98C	1485497	98C-PURIII5000	Clutch/Sleeve Assembly
32	1308101	32-CFT5000	Bail Spring	132	1192296	132-3000SG	Roller Washer
34	1609403	34-WRTHII5000	Bail Arm	132A	1192302	132A-3000SG	Line Roller Washer (2 req)
34C	1191652	34C-5000SG	Pivot Arm	226	1609407	226-WRTHII5000	Rear Cover
35	1308066	35-CFT3000	Line Roller	226A	1485216	226A-PURIII3000	Rear Cover Screw
35A	1308067	35A-CFT3000	Line Roller Bushing	231	1485577	231-PURIII5000	Crosswind Gear
36	1191699	36-3000SG	Bail Stud Screw	231B	1485578	231B-PURIII5000	Screw Crosswind Gear
38	1204049	38-5000PUR	Rotor Nut	233	1514979	233-WRTH5000	Lock Knob
38A	1365741	38A-FRCII5000	Rotor Locking Plate Screw	234	1514980	234-WRTH5000	Lock Knob Washer
38D	1308104	38D-CFT5000	Rotor Nut Washer				

**WARNING:** Cancer and Reproductive Harm – [www.P65Warnings.ca.gov](http://www.P65Warnings.ca.gov)