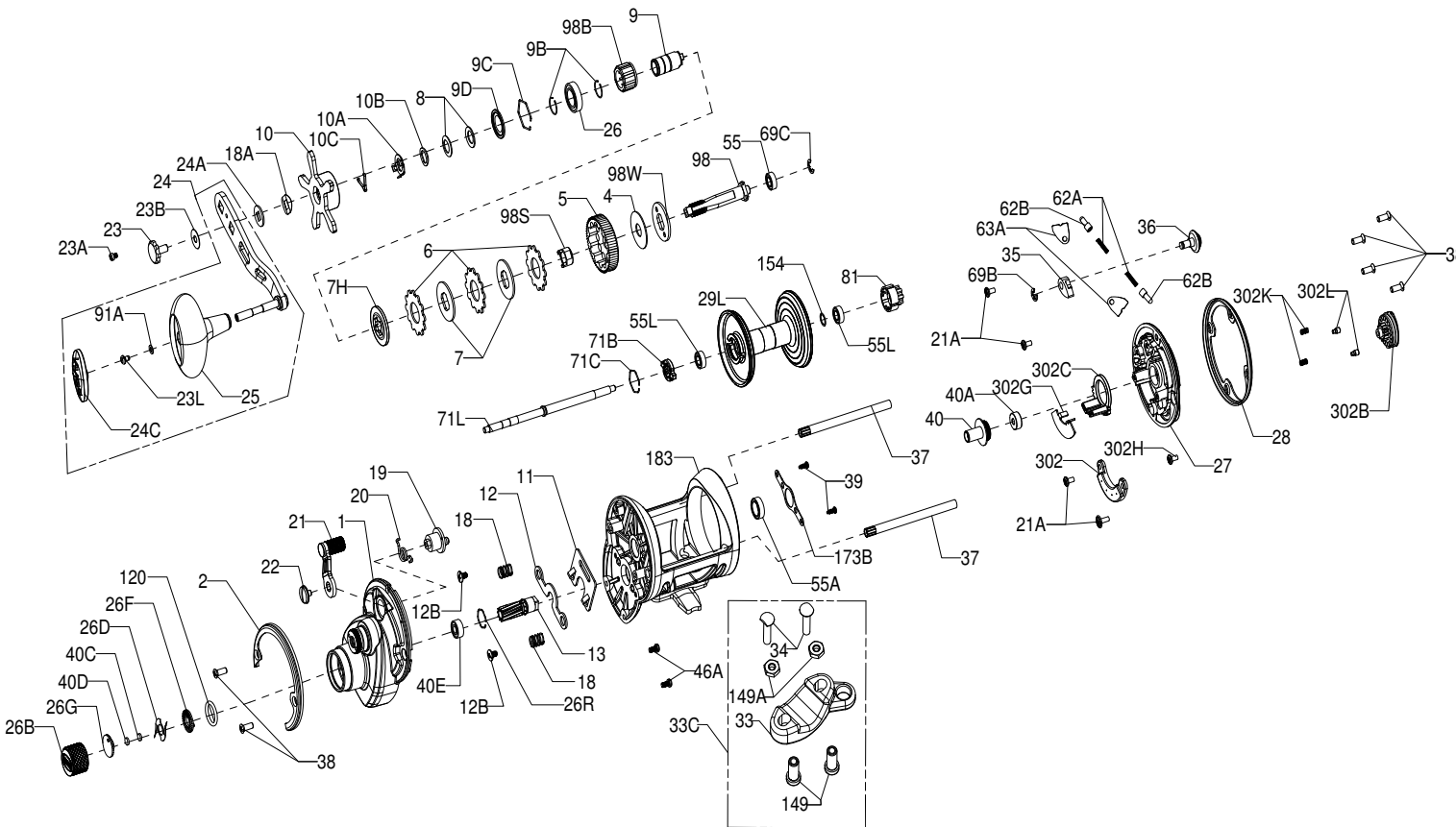




**PARTS LIST SQUALL II 12SDLH and 15SDLH**

REEL PART NO. 1522164(12SDLH) and 1522166(15SDLH)

Key No.	Penn Style No.	Part No.	Description	Key No.	Penn Style No.	Part No.	Description
1	1-SQLII15SDLH	1526422	Left Side Plate	18	18-525	1181624	Clutch Spring (2 req)
2	2-SQLII15SDLH	1526429	Ring Left Side Plate	18A	18A-20	1188714	Keyed Spring Washer
4	4-FTHII30LW	1488726	Drag Washer	19	19-SQLII15SDLH	1526444	Eccentric LH
5	5-SQLII40SDLH	1526434	Main Gear LH	20	20-SQLII40SDLH	1526447	Spring Eccentric
6	6-TRQ40	1237037	Drag Washer Tab (3 req)	21	21-SQLII15SD	1526448	Eccentric Lever
7	7-FTHII12SD	1516068	Keyed Metal Drag Washer (2 req)	21A	21A-420G	1214652	Screw (4 req)
7H	7H-FTHII12SD	1516139	Heavy Metal Drag Washer	22	22-SQLIISD	1526450	Eccentric Screw
8	8-20	1188709	Spring Washer (2 req)	23	23-FTH20LW	1208117	Handle Screw
9	9-SQLII15SDCS	1526436	Spacer Sleeve	23A	23A-20	1188717	Handle Lock Screw
9B	9B-FTHII30LW	1488732	Retainer Ring (2 req)	23B	23B-20	1207784	Handle Screw Washer
9C	9C-FTHII30LW	1488733	Retainer Ring	23L	23L-750	1191283	Screw
9D	9D-FTHII30LW	1488734	Bearing Cover	24	24-SQLII40SD	1526451	Handle Assembly
10	10-SQLII15SDLH	1526438	Star Drag Assembly	24A	24A-20	1188715	Handle Thrust Washer
10A	10A-20	1188711	Star Click Retainer	24C	24C-66	1191335	Handle Knob Cap
10B	10B-20	1188710	Star Click Washer	25	25-TRQ40	1240293	Handle Knob
10C	10C-525MAG2	1188712	Star Click Spring	26	26-TRQ40NLD2	1265023	Ball Bearing
11	11-525MAG2	1214528	Eccentric Jack	26B	26B-FTHII30LW	1488746	Spool Tension Knob
12	12-525MAG2	1214649	Pinion Yoke	26D	26D-525MAG2	1125769	Click Spring
12B	12B-SQLIISD	1526440	Pinion Yoke Screw (2 req)	26F	26F-525MAG2	1125768	Click Washer
13	13-SQLII40SDLH	1526442	Pinion	26G	26G-525MAG2	1125772	Click Washer
				26R	26R-525MAG2	1214654	Ring Retaining
				27	27-SQLII12SDLH	1526456	Right Side Plate
				27	27-SQLII15SDLH	1526458	Right Side Plate
				28	28-SQLII15SD	1526469	Ring Side Plate
				29L	29L-SQLII12SD	1526472	Spool
				29L	29L-SQLII15SD	1526473	Spool
				33	33-113	1182754	Rod Clamp
				33C	33C-525MAG2	1214659	Rod Clamp Kit
				34	34-45	1182788	Screw (2 req)
				35	35-525MAG2	1214660	Click Tongue
				36	36-525MAG2	1214661	Click Button
				37	37-515MAG2	1214663	Frame Post (SQLII12) (2 req)
				37	37-525MAG2	1214662	Frame Post (SQLII15) (2 req)
				38	38-SQLII15SD	1526483	Screw (6 req)
				39	39-525	1183220	Screw (2 req)
				40	40-525MAG2	1214664	Bushing Left Side Spindle
				40A	40A-FTHSD12	1242804	Bearing
				40C	40C-525MAG2	1208115	Washer, Metal Thrust
				40D	40D-525MAG2	1125771	Washer, Rubber Thrust
				40E	40-20	1188661	Bearing
				46A	46A-SQLII15SD	1526485	Cover Plate Screw (2 req)
				55	55-20	1188681	Ball Bearing (6x12x4)
				55A	55-525MAG2	1214665	Ball Bearing
				55L	55L-965	1192031	Bearing Spool (2 req)
				62A	62A-525MAG2	1214667	Spring (2 req)
				62B	62B-525MAG2	1184038	Click Pin (2 req)
				63A	63A-525MAG2	1214668	Cover (2 req)
				69B	69B-600	1184129	Ring Retainer
				69C	69B-40	1208064	Ring Retainer
				71B	71B-SQLIISDLH	1526487	Spool Driver LH
				71C	71C-TRQ40	1230227	Retaining Ring
				71L	71L-SQLII12SD	1526488	Spindle
				71L	71L-SQLII15SD	1526489	Spindle
				81	81-525MAG	1184210	Click Ratchet
				91A	91A-TRQ40NLD2	1277514	Handle Knob Washer
				98	98-SQLII15SDLH	1526498	Gear Stud LH
				98B	98B-FTHII30LW	1488764	IAR Bearing
				98S	98S-FTHII30LW	1488766	Gear Stud Bushing
				98W	98W-FTHII30LW-1	1516218	Thrust Washer
				120	120-113H	1184522	O-Ring
				149	149-45	1184702	Nut, Rod Clamp (2 req)
				149A	149-200	1184706	Nut, Hex (2 req)
				154	154-SQLSD	1276694	Shim (As Needed)
				173B	173B-525MAG2	1214678	Retainer Bearing
				183	183-SQLII12SDLH	1526502	Frame Assembly (SQLII12SDLH)
				183	183-SQLII15SDCS	1526504	Frame Assembly (SQLII15SDCS)
				302	302-525MAG2	1214681	Assembly, Magnet Housing
				302B	302B-525MAG2	1214682	Dial, Brake Adjustment
				302C	302C-525MAG2	1214683	Carrier, Magnet Shield
				302G	302G-525MAG2	1214684	Shield, Adjustable Magnet
				302H	302H-525MAG2	1214685	Screw
				302K	302K-FTHII15SDCS	1517589	Mag Dial Click Spring (2 req)
				302L	302L-FTHII15SDCS	1516167	Mag Dial Click Plunger (2 req)



407-SQLII12-15SDLH Rev.0 12-30-19  
1526521