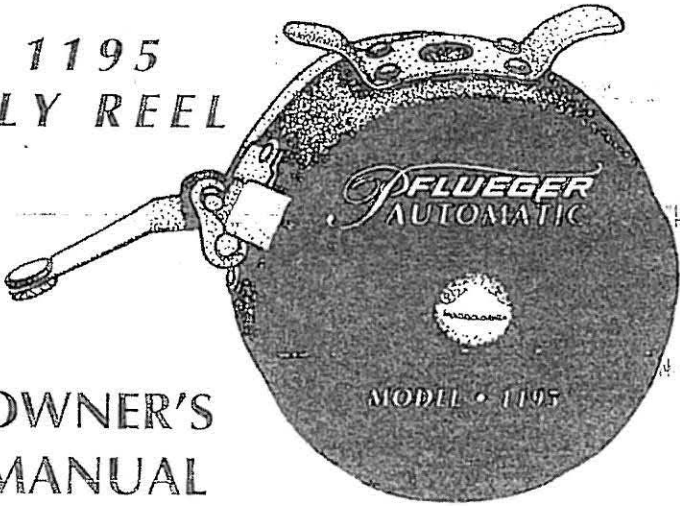


"Old" Silver Spool - 3 pcs - No Parts Available

OWNER'S
MANUAL

1195
FLY REEL

PLUEGER
AUTOMATIC



Parts
List

Pflueger Limited Warranty

Your new Pflueger product comes with a limited warranty for a period of one year against defects in material and/or workmanship. Pflueger will have no other obligation and will not be liable for incidental or consequential damages.

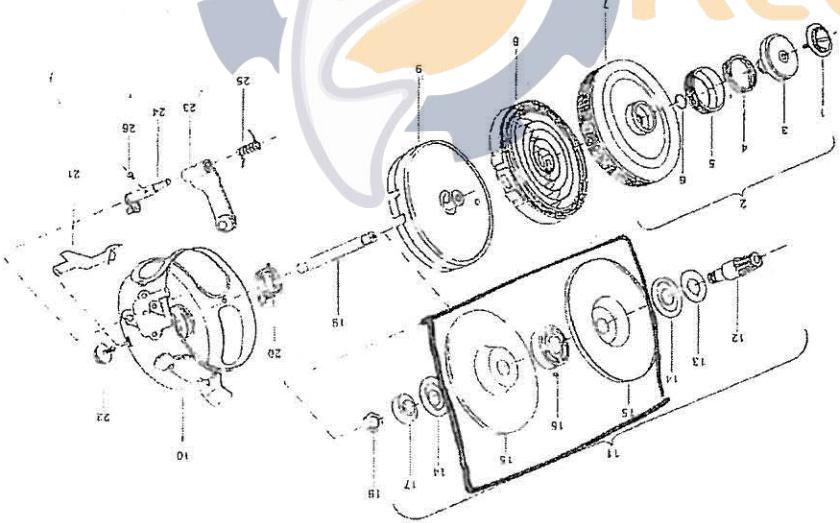
Pflueger makes no implied warranty of MERCHANTABILITY OR FITNESS for any period beyond the duration of each limited warranty. This warranty does not cover damage caused by addition to or alteration of the product, accident, abuse or normal wear. Damage that is determined to be of this nature will be repaired at consumer's expense. This warranty does not extend to products which are put to commercial or rental use.

Some state laws do not allow exclusions of incidental or consequential damages or limitation of the duration of implied warranties, so the above exclusion and limitation might not apply to you. This warranty gives you specific rights which may vary from state to state.

For warranty service, send reels freight prepaid to the Shakespeare Service Center, 3801 Westmore Drive, Columbia, South Carolina 29223, along with a letter of explanation (include name and complete address), proof of purchase and \$5.00 for postage and handling.

P/N 2019-3194-00

Key No.	Description	Key No.	Description
1	Staff Screw Assembly, Upper	13	Spool Pinion Washer
2	Drive Spring Cap Assembly	12	Spool Pinion
3	Ratchet Coil Case	11	Spool Assembly
4	Ratchet Coil	10	Frame Assembly
5	Ratchet Release Ring	9	Gear Plate Assembly
6	Ratchet Coil Case Ring	8	Drive Spring
7	Drive Spring Cap	7	Drive Spring
8	Drive Spring	6	Ratchet Coil Case Ring
9	Gear Plate Assembly	5	Ratchet Release Ring
10	Frame Assembly	4	Ratchet Coil
11	Spool Assembly	3	Ratchet Coil Case
12	Spool Pinion	2	Drive Spring Cap Assembly
13	Spool Pinion Washer	1	Staff Screw Assembly, Upper
14	Spool Friction Disc	14	Spool Friction Disc
15	Spool Flange	15	Spool Flange
16	Spool Spacer	16	Spool Spacer
17	Brake Drum	17	Brake Drum
18	Spool Pinion Nut	18	Spool Pinion Nut
19	Staff	19	Staff
20	Brake Coil	20	Brake Coil
21	Brake Lever Slide	21	Brake Lever Slide
22	Staff Screw, Lower	22	Staff Screw, Lower
23	Brake Lever Assembly	23	Brake Lever Assembly
24	Brake Lever Shaft Assembly	24	Brake Lever Shaft Assembly
25	Brake Lever Spring	25	Brake Lever Spring
26	Brake Lever Shaft Screw	26	Brake Lever Shaft Screw



PLUEGER
AUTOMATIC
MIP
FLY REEL

MODEL 1195 REEL SPECIFICATIONS

Spool Diameter	Spool Width	Spool Weight	Fly Line	Backing
2-7/8"	7/8"	9.0 oz.	Up To #8	30 Yds./20#

Fly Line and Backing is based on using a Double Taper Floating Line