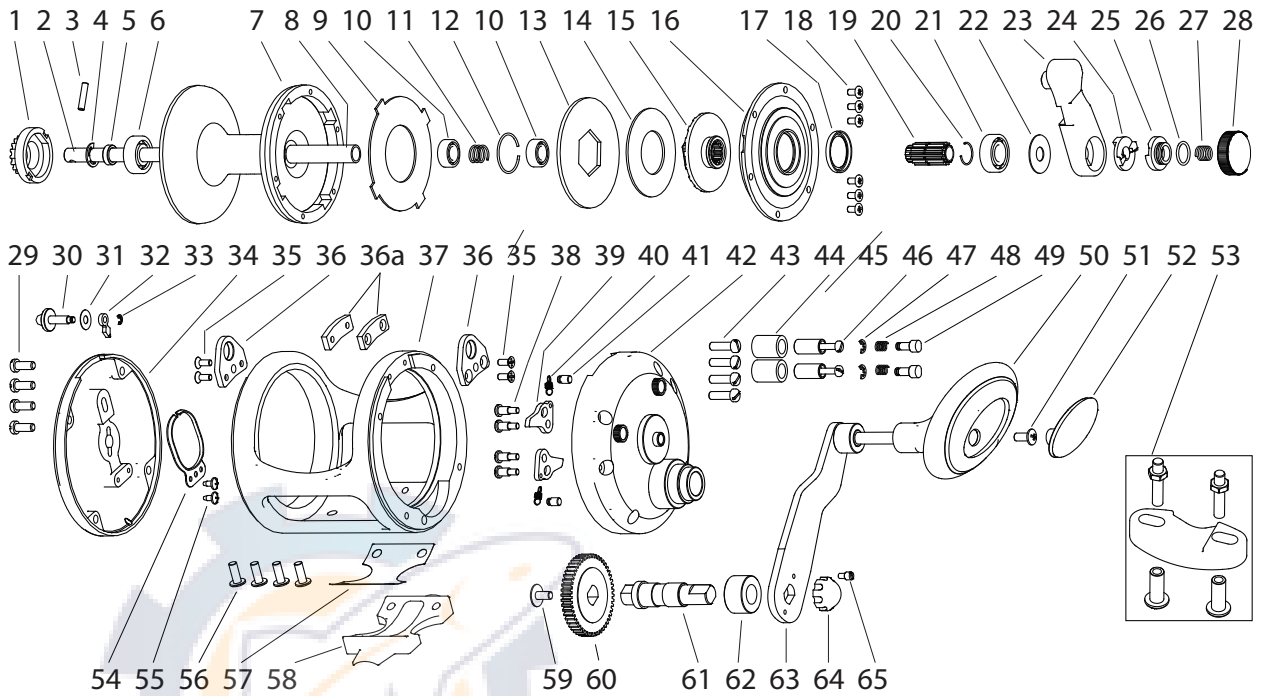




ADVANZ® series
Q22 Parts



- | | | |
|--------------------------|--------------------------|----------------------------|
| 1. Clicker gear | 24. Cam lifter | 46. Stop screw (2) |
| 2. Mainshaft | 25. Drag cam | 47. Spring button retainer |
| 3. Mainshaft pin | 26. Cam seal | 48. Button spring |
| 4. Bearing retainer clip | 27. Knob spring | 49. Spring button |
| 5. Bearing bushing | 28. Drag knob | 50. Grip assembly |
| 6. Bearing (7x19x6) | 29. Left SP screw (4) | 51. Grip retainer screw |
| 7. Spool | 30. Clicker switch | 52. Grip cover plate |
| 8. Mainshaft bushing | 31. Clicker shim | 53. Rod clamp kit |
| 9. Friction washer | 32. Clicker pawl | 54. Clicker spring |
| 10. Bearing (7x14x5) | 33. Click retainer | 55. Click spring screw (2) |
| 11. Drag coil spring | 34. Left sideplate | 56. Foot screw (4) |
| 12. Hub retainer | 35. Lug screw (4) | 57. Foot insulator |
| 13. Pressure plate | 36. Harness lug | 58. Foot |
| 14. Spring washer | 36a. Lug hole plug | 59. Gear retainer screw |
| 15. Drag hub | 37. Mainframe | 60. Main gear |
| 16. Spool cover | 38. A/R pawl screw (4) | 61. Drive shaft |
| 17. Drag seal | 39. A/R pawl (2) | 62. Handle arm bushing |
| 18. Cover screws (6) | 40. A/R pawl spring (2) | 63. Handle arm assy. |
| 19. Pinion gear | 41. A/R pawl spring post | 64. Handle arm nut |
| 20. Pinion retainer | 42. Right sideplate | 65. Nut retainer |
| 21. Bearing (9x20x6) | 43. Right SP screw (4) | |
| 22. Lever shim | 44. Stop cushion (2) | |
| 23. Drag lever | 45. Stop bushing (2) | |