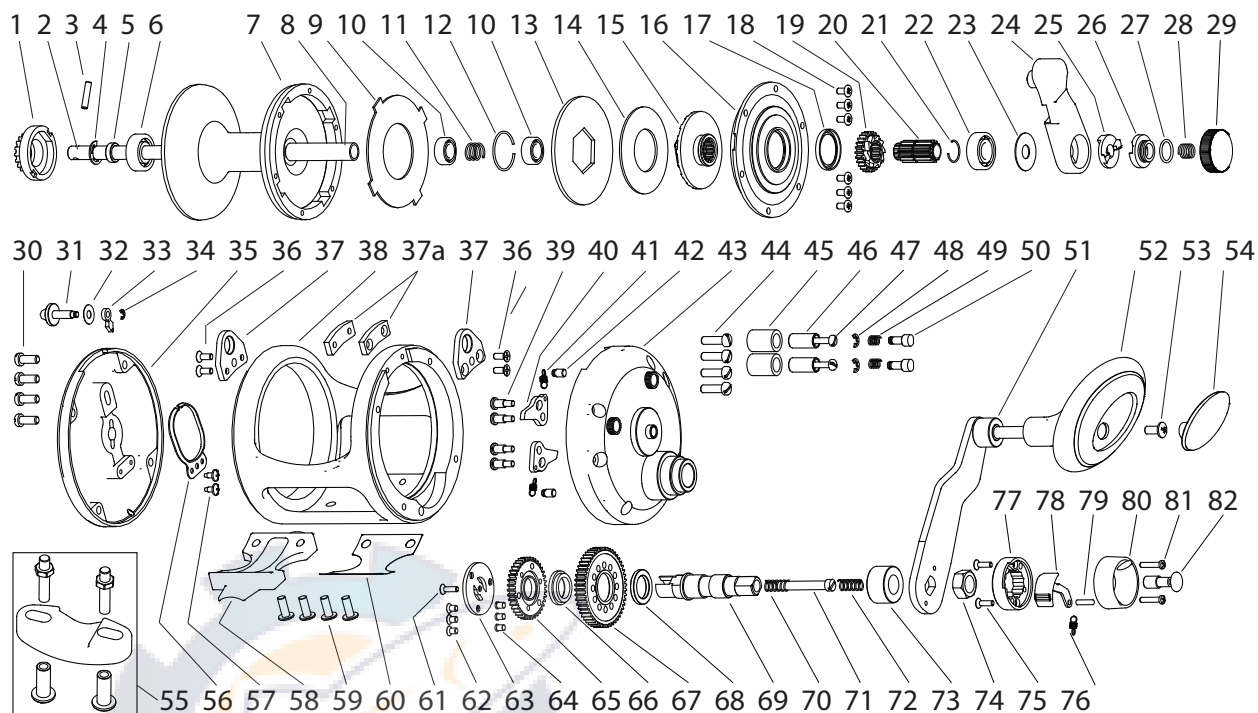




ADVANZ® series
Q22-II Parts



- | | | |
|---------------------------|-------------------------|------------------------------|
| 1. Clicker gear | 29. Drag knob | 56. Click pawl spring |
| 2. Mainshaft | 30. Left SP screw (4) | 57. Spring screw (2) |
| 3. Mainshaft pin | 31. Clicker switch | 58. Foot |
| 4. Bearing retainer clip | 32. Switch shim | 59. Foot screw (4) |
| 5. Bearing bushing | 33. Clicker pawl | 60. Foot insulator |
| 6. Bearing (7x19x6) | 34. Pawl retainer clip | 61. Shift core screw |
| 7. Spool | 35. Left sideplate | 62. Shift plate screw (3) |
| 8. Mainshaft bushing | 36. Lug screw (4) | 63. Shift plate |
| 9. Friction washer | 37. Harness lug (2) | 64. Gear pin (3) |
| 10. Bearing (7x14x5) | 37a. Lug hole plug (2) | 65. Slow speed main gear |
| 11. Drag coil spring | 38. Mainframe | 66. Main gear nut |
| 12. Hub retainer | 39. A/R pawl screw (4) | 67. High speed main gear |
| 13. Pressure plate | 40. A/R pawl (2) | 68. Main gear shim |
| 14. Spring washer | 41. A/R pawl spring (2) | 69. Drive shaft |
| 15. Drag hub | 42. A/R spring pin (2) | 70. Bottom shift spring |
| 16. Spool cover | 43. Right sideplate | 71. Shift core |
| 17. Drag seal | 44. Right SP screw (4) | 72. Upper shift spring |
| 18. Spool cover screw (6) | 45. Stop cushion (2) | 73. Handle arm bushing |
| 19. Low speed pinion | 46. Stop bushing (2) | 74. Handle arm nut |
| 20. High speed pinion | 47. Stop screw (2) | 75. Housing bottom screw (2) |
| 21. Pinion retainer | 48. Button retainer (2) | 76. Release button spring |
| 22. Bearing (7x14x5) | 49. Button spring (2) | 77. Shift housing bottom |
| 23. Lever shim | 50. Spring button (2) | 78. Release button |
| 24. Drag lever | 51. Handle arm assy. | 79. Pivot pin |
| 25. Cam lifter | 52. Grip assembly | 80. Shift housing top |
| 26. Drag cam | 53. Grip retainer screw | 81. Housing top screw (2) |
| 27. Cam seal | 54. Grip cover plate | 82. Shift push button |
| 28. Knob spring | 55. Rod clamp kit | |