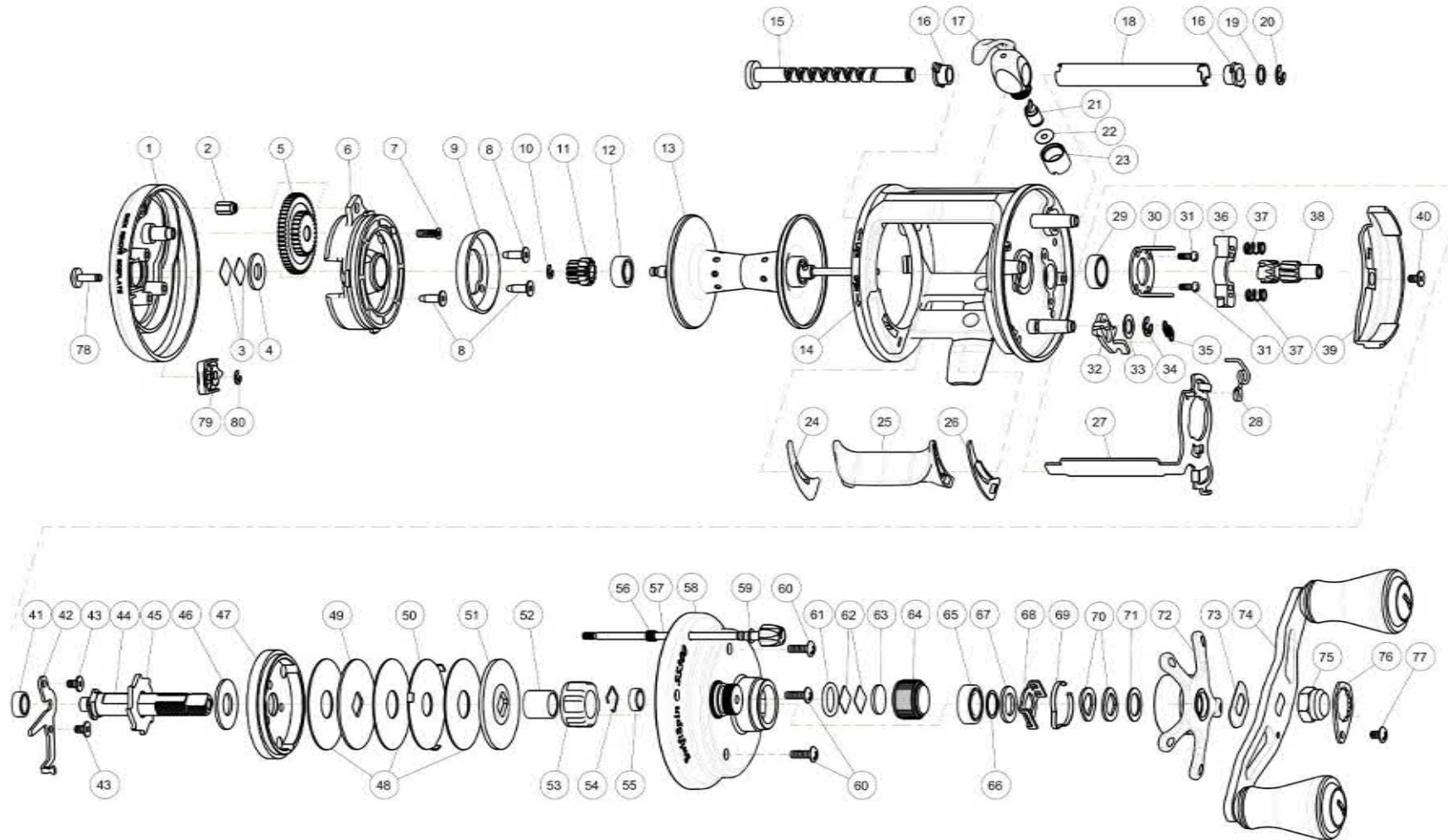


QUANTUM

NO350R



Quantum NO350R							
Key #	Description	Part No.		Key #	Description	Part No.	
		NO350R	QTY			NO350R	QTY
1	Palm Side Cover	ZA023-01	1	42	Crank Shaft Retainer	ZA002-01	1
2	Palm Side Cover Locking Nut	NA122-01	1	43	Crank Shaft Retainer Screw	ZA053-01	2
3	Spool Tension Shim	NA032-01	2	44	Crank Shaft	ZA008-01	1
4	Tension Shim Keeping Washer	MB038-01	1	45	Trip Ratchet	NA083-01	1
5	Idle Gear	ZA127-01	1	46	Ratchet Washer	NA111-01	1
6	Spool Cover	ZA051-01	1	47	Drive Gear	ZA012-01	1
7	Idle Gear Screw	MB053-01	1	48	Drag Disc	ZA059-01	3
8	Spool Cover Screw	ZA057-01	3	49	Drag "D" Washer	ZA045-01	1
9	Brake Ring	ZA042-01	1	50	Drag Key Washer	ZA048-01	1
10	E-Clip	NX090-01	1	51	Drag Washer	MB045-01	1
11	O/S Drive Gear	NA112-01	1	52	One Way Clutch Sleeve	NA052-01	1
12	Spool Shaft Ball Bearing - Palm	EX017-01	1	53	One Way Clutch	NA063-01	1
13	Spool Assembly	ZA321-01	1	54	Clip Ring	NA080-01	1
14	Frame Assembly	ZA301-01	1	55	Spool Shaft Metal Ball Bearing	CT157-01	1
15	Worm Shaft Assembly or Worm Shaft	ZA372-01	1	56	Thumb Screw Spring	NA070-01	1
16	Worm Shaft Bushing	NA067-01	2	57	Thumb Screw	NA074-03	1
17	Line Guide Carrier Assembly	ZA347-01	1	58	Gear Side Cover Assembly	ZA324-01	1
18	Worm Shaft Guide	ZA016-01	1	59	Thumb Screw Washer	NA038-01	1
19	Worm Shaft Washer	NA035-01	2 (1)	60	Gear Side Cover Screw	NA123-01	3
20	Worm Shaft E-Clip	QW120-01	1	61	Tension Knob O-Ring	NA101-01	1
21	Line Guide Pawl	NA006-01	1	62	Spool Tension Washer	NA032-01	2
22	Line Guide Pawl Washer	ZA035-01	1	63	Spool Cushion Washer	NA082-01	1
23	Line Guide Pawl Cap	NA007-02	1	64	Spool Tension Knob	NA033-01	1
24	Thumb Bar Guide Plate "B"	MB056-01	1	65	Crank Shaft Ball Bearing	TW058-03	1
25	Thumb Bar	ZA009-01	1	66	Crank Shaft Ball Bearing Washer	TW035-03	1
26	Thumb Bar Guide Plate "A"	PA056-01	1	67	Crank Shaft Washer	ZW032-02	1
27	Release Slider	ZA039-01	1	68	Star Drag Click Spring Retainer	NA110-01	1
28	Release Slider Spring	NA104-01	1	69	Star Drag Click Spring	NA114-01	1
29	Pinion Gear Ball Bearing	KT158-01	1	70	Drag Spring "D" Washer	JX046-01	2
30	Release Slider Retainer	NA140-01	1	71	Star Drag Washer	ZW032-01	1
31	Release Slider Retainer Screw	NA053-01	2	72	Star Drag Assembly	NA355-01	1
32	Kick Lever	ZA077-01	1	73	Handle Washer	NA054-01	1
33	Kick Lever Washer	MB035-01	1	74	Handle Assembly	ZA318-01	1
34	Kick Lever Retaining E-Clip	QW120-01	1	75	Handle Nut	ZA003-01	1
35	Kick Lever Spring	NA097-01	1	76	Handle Nut Retainer	ZA034-01	1
36	Pinion Yoke	NA025-01	1	77	Handle Nut Retainer Screw	ZA123-01	1
37	Pinion Yoke Spring	NA040-01	2	78	Spool Clicker Lever	ZA109-01	1
38	Pinion Gear	ZA011-01	1	79	Spool Clicker Assembly	ZA3108-01	1
39	Drive Gear Cover	ZA143-01	1	80	Spool Clicker E-Clip	NX090-01	1
40	Drive Gear Cover Screw	ZA053-01	1	81	O/S Pinion Gear	N/A	1
41	Crank Shaft Bearing (Bushing) -L	ZW017-02	1	82	O/S Pinion Gear Pin	N/A	1