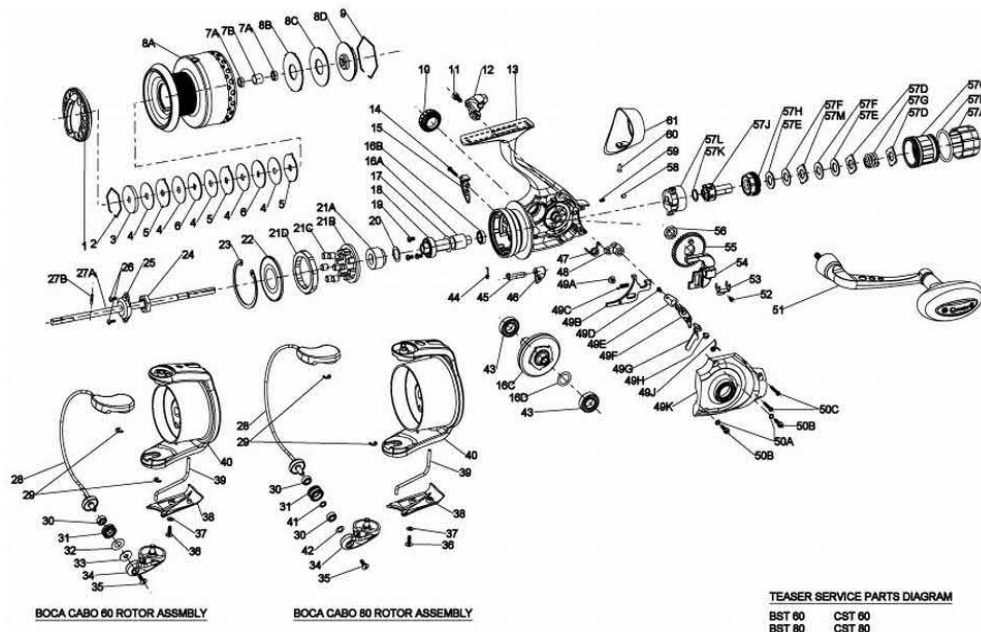




Boca PT Bait Teaser

BST80PTs



BOCA CABO 80 ROTOR ASSEMBLY

BOCA CABO 80 ROTOR ASSEMBLY

TEASER SERVICE PARTS DIAGRAM
BST 80 CST 80
BST 80 CST 80

Quantum Boca BST80PTs Bait Teaser Reel Part List

Key #	Description	Part No.	Key #	Description	Part No.
1	DRAG KNOB ASSEMBLY	NT332-01	33	LINE ROLLER COLLAR	N/A
2	SPOOL RETAINER - TOP	BT038-02	34	ARM LEVER ASSEMBLY	BT407-03
3	DRAG WASHER "C"	CT080-02	35	SCREW - LINE SLIDER	AQ108-01
4	DRAG WASHER "B" - FRICTION	BT033-01	36	ARM LEVER COVER SCREW	GU077-02
5	DRAG WASHER "A"	BT081-01	37	ARM LEVER COVER WASHER	SQ142-01
6	DRAG WASHER "D"	BT080-01	38	ARM LEVER COVER	DT087-01
7	SPOOL BUSHING OR BEARING KIT	BT4160-01	39	KICK LEVER	DT019-01
7-A	7A - SPOOL BUSHING OR BEARING (2)	N/A	40	ROTOR ASSEMBLY	N/A
7-B	7B - SPOOL SPACER	N/A	41	SPACER	DT167-01
8	SPOOL ASSEMBLY KIT	ET4321-02	42	LINE ROLLER WASHER	DT229-01
8-A	8A - SPOOL ASSEMBLY	N/A	43	CRANK BEARING (2)	BT157-01
2	2 - SPOOL RETAINER - TOP	N/A	44	ANTI-REVERSE CAM SPRING	N/A
3	3 - DRAG WASHER "C"	N/A	45	ANTI REVERSE CAM	N/A
4	4 - DRAG WASHER "B" (5) - FRICTION	N/A	46	ANTI REVERSE LEVER	N/A
5	5 - DRAG WASHER "A" (3)	N/A	47	SPRING - LEVER	MT216-01
6	6 - DRAG WASHER "D" (2)	N/A	48	PIN - LEVER	NT113-01
7	7 - SPOOL BUSHING OR BEARING KIT	N/A	49	BODY COVER KIT	NT4023-01
8-B	8B - SPOOL WASHER	N/A	49-A	49A - SCREW	N/A
8-C	8C - DRAG WASHER "E"	N/A	49-B	49B - PAWL	N/A
8-D	8D - DRAG CLICK ASSEMBLY	N/A	49-C	49C - SPRING - PAWL	N/A
9	9 - SPOOL RETAINER - BOTTOM	N/A	49-D	49D - SCREW	N/A
9	SPOOL RETAINER - BOTTOM	BT038-01	49-E	49E - RETAINER PLATE	N/A
10	HANDLE CAP	BT373-01	49-F	49F - PIVOT PIN	N/A
11	SCREW - LEVER	MT106-01	49-G	49G - TRIP LINK	N/A
12	LEVER - FREE SPOOL	MT112-01	49-H	49H - SCREW	N/A
13	BODY ASSEMBLY	NT301-01	49-J	49J - SPRING - TRIP LINK	N/A
14	SCREW - TRIP RAMP	BT136-01	49-K	49K - BODY COVER	N/A
15	TRIP RAMP	NT243-01	50	BODY COVER SCREW KIT	MT4057-01
16	GEAR KIT	MT4011-02	50-A	50A - SCRATCH PROTECT WASHER (2)	N/A
16-A	16A - PINION GEAR	N/A	50-B	50B - BODY COVER SCREW (2)	N/A
16-B	16B - PINION BEARING/BUSHING	N/A	50-C	50C - BODY SCREW (2)	N/A
16-C	16C - DRIVE GEAR ASSEMBLY	N/A	51	HANDLE ASSY	NT318-01
16-D	16D - D.GEAR ADJUST WASHER	N/A	52	SCREW	MT111-01
17	PINION GEAR WASHER	BT110-01	53	SLIDER RETAINER	NT078-01
18	PINION BALL BEARING	DT157-01	54	OSCILLATOR SLIDER	NT025-01
19	SCREW (3)	TK057-01	55	OSCILLATOR GEAR	DT053-01
20	WASHER	MT110-01	56	OSCILLATOR GEAR BUSHING	BT158-01
21	CLUTCH ASSEMBLY KIT	UK4363-02	57	BAIT DRAG ASSEMBLY KIT	MT4338-01
21-D	21D - CLUTCH LOCK RING	N/A	57-A	57A - BAIT DRAG COVER	N/A
21-C	21C - CLUTCH ROLLER (7)	N/A	57-B	57B - O RING	N/A
21-B	21B - CLUTCH RETAINER	N/A	57-C	57C - BAIT DRAG KNOB	N/A
21-A	21A - CLUTCH SLEEVE	N/A	57-D	57D - WASHER - TABBED (2)	N/A
22	CLUTCH SEAL	DT166-01	57-E	57E - WASHER - FRICTION (2)	N/A
23	RETAINER RING - CLUTCH SEAL	DT060-01	57-F	57F - WASHER - KEYED (2)	N/A
24	ROTOR NUT	BT006-01	57-G	57G - COMPRESSION SPRING	N/A
25	MAIN SHAFT BUSHING	DT214-01	57-H	57H - ADJUSTMENT SCREW - BAIT DRAG	N/A
26	ROTOR NUT LOCK SCREW (2)	RQ094-01	57-J	57J - DRIVE ASSEMBLY	N/A
27	MAIN SHAFT KIT	NT4015-01	57-K	57K - WASHER - FRICTION	N/A
27-A	27A - MAIN SHAFT	N/A	57-L	57L - HOUSING - BAIT DRAG	N/A
27-B	27B - MAIN SHAFT PIN	N/A	57-M	57M - WASHER - TABBED (1)	N/A
28	BAIL ASSEMBLY	DT347-02	58	BUTTON - BAIT CLICKER	HT149-01
29	E-CLIP - BAIL ASSEMBLY (2)	GH034-01	59	SPRING - BAIT CLICKER	MT083-01
30	LINE ROLLER BEARING	DT202-01	60	SCREW - REAR COVER	MT168-01
31	LINE ROLLER	TK004-02	61	REAR COVER	NT250-01
32	LINE ROLLER WASHER	N/A			