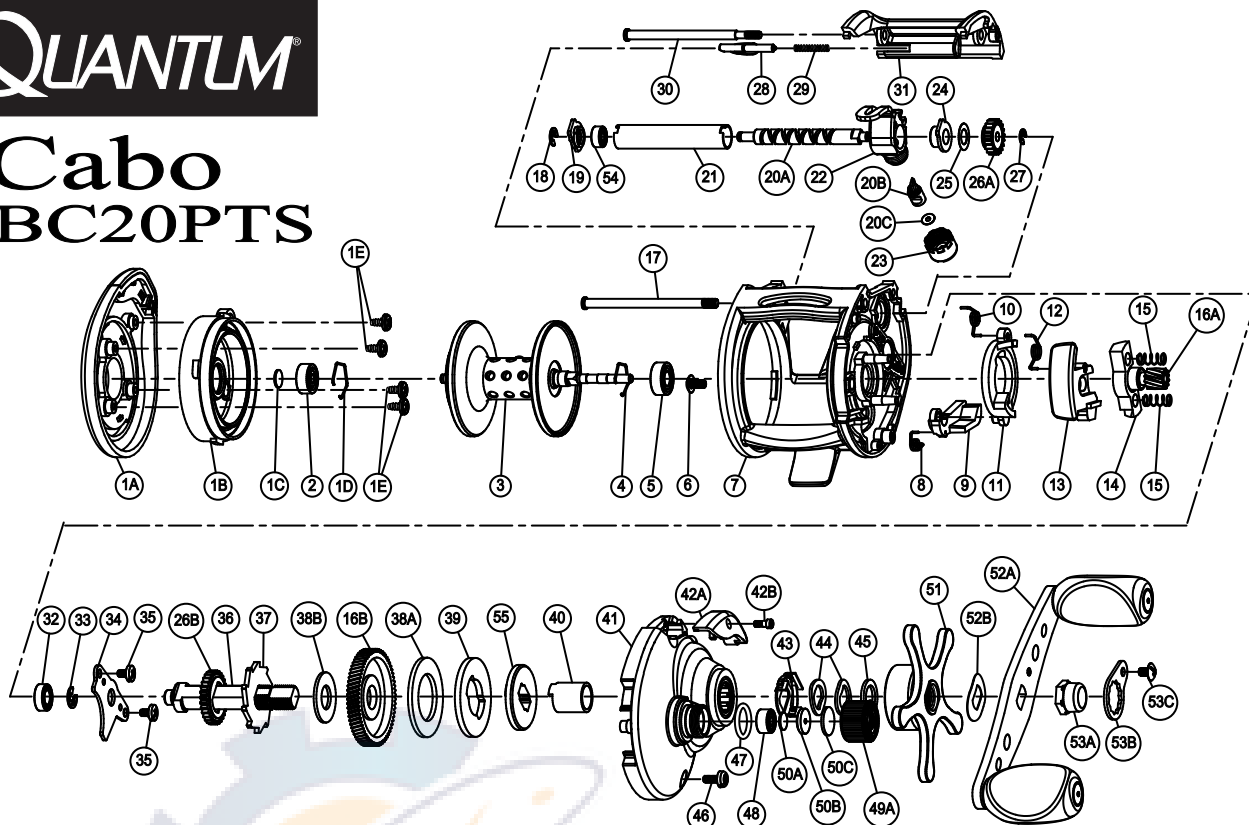




# Cabo CBC20PTS



Key #	Description	Part No.
1	Palm Side Cover Kit - includes: 1A - Palm Side Cover Assembly 1B - Spool Cover Assembly 1C - Spool Shaft Washer 1D - Clip Ring 1E - Spool Cover Screw 2 - Spool Shaft Bearing (Palm)	GX4023-02
2	Palm Side Spool Shaft Bearing	QV017-01
3	Spool Assembly	MX321-01
4	Clip Ring	EX080-01
5	Gear Side Spool Shaft Bearing	EX017-02
6	Gear Side Cover Screw - A	QW123-01
7	Frame	GX001-02
8	Kick Lever Spring	GX097-01
9	Kick Lever	GX077-01
10	Release Slider Spring	GX104-01
11	Release Slider	GX039-01
12	Push Button Spring	GX089-01
13	Push Button	GX062-01
14	Pinion Yoke	GX025-01
15	Yoke Spring	GX040-01
16	Gear Kit - includes: 16A - Pinion Gear Assembly 16B - Drive Gear	MX4011-01
17	Stabilizer Bar - "B"	MX061-01
18	E-Clip	NX092-01
19	Worm Shaft Bearing Retainer	HX067-01
20	Worm Shaft Kit - includes: 20A - Worm Shaft 20B - Line Guide Pawl 20C - Carrier Washer	GX4072-02
21	Worm Shaft Guide	GX016-01
22	Line Guide Carrier	GX047-02
23	Line Guide Carrier Screw	ZW007-02
24	Gear Side Worm Shaft Bushing	HV068-01
25	Worm Shaft Washer	EX035-01
26	O/S Gear Kit - includes: 26A - O/S Pinion Gear 26B - O/S Drive Gear	GX4085-01
27	E-Clip	NX090-01
28	Palm Side Cover Locking Lever	GX119-01
29	Palm Side Cover Locking Spring	ZW096-01

Key #	Description	Part No.
30	Stabilizer Bar - "A"	GX061-01
31	Front Support	GX099-02
32	Crank Shaft Bearing - Lower	SW017-01
33	E-Clip	QW120-01
34	Crank Shaft Retainer	GX002-01
35	Crank Shaft Retainer Screw	JX107-01
36	Crank Shaft	MX008-01
37	Trip Ratchet	EX083-01
38	Drag Disc Kit - includes: 38A - Drag Disc 38B - Trip Ratchet Washer	HV4059-01
39	Drag Key Washer	MX045-01
40	One Way Bearing Sleeve	HV052-01
41	Gear Side Cover Assembly	GX324-02
42	Oil Port Cap Kit - includes: 42A - Oil Port Cap 42B - Oil Port Cap Screw	GX4150-02
43	Drag Click Spring Assembly	GX4114
44	Spring "D" Washer	JX046-01
45	Star Drag Washer	ZW032-02
46	Gear Side Cover Screw - B	GX107-01
47	Tension Knob O-Ring	QW101-01
48	Tension Knob Ball Bearing	SW117-01
49	Tension Knob Kit - includes: 49A - Spool Tension Knob Assembly 50 - Spool Tension Washer Kit	CX4033-02
50	Spool Tension Washer Kit - includes: 50A - Spool Tension Washer 50B - Spool Tension Collar 50C - Spool Cushion Washer	QW4032-01
51	Star Drag Assembly	MX355-01
52	Handle Kit - includes: 52A - Handle Assembly 52B - Handle Washer 53 - Handle Nut Kit	PX4018-01
53	Handle Nut Kit - includes: 53A - Handle Nut 53B - Handle Nut Retainer 53C - Handle Nut Retainer Screw	MX4003-01
54	Worm Shaft Ball Bearing	XX117-01
55	Drag Link	GX036-01