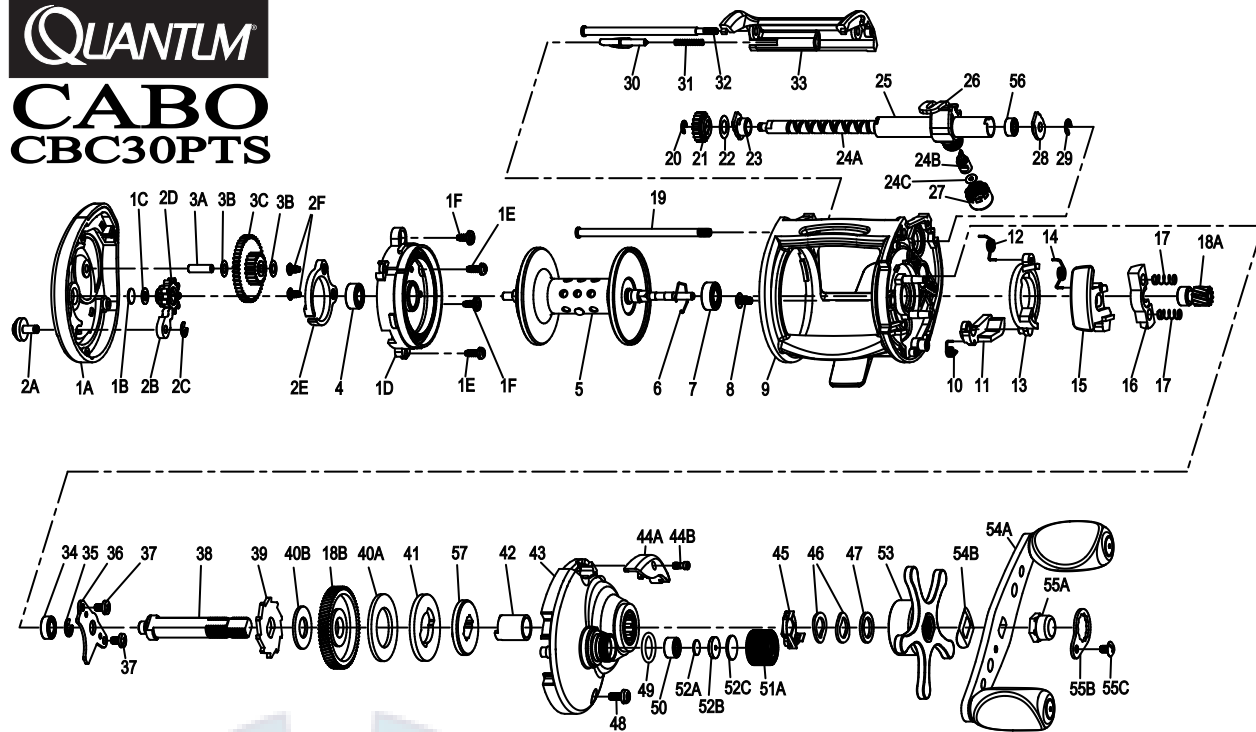


QUANTUM
CABO
CBC30PTS



| Key # | Description | Part No. |
|-------|--|-----------|
| 1 | Palm Side Cover Kit includes: 1A - Palm Side Cover Assembly 1B - Spool Shaft Washer 1C - O/S Drive Gear Washer 1D - Spool Cover Assembly 1E - Spool Cover Screw "B" 1F - Spool Cover Screw "A" | PX4023-02 |
| 2 | Bait Clicker Spring Kit includes: 2A - Bait Click Lever 2B - Bait Click Pawl 2C - E-Clip 2D - O/S Drive Gear 2E - Bait Clicker Spring 2F - Bait Clicker Spring Screw | PX4109-01 |
| 3 | Idle Gear Kit includes: 3A - Idle Gear Post 3B - Idle Gear Washer 3C - Idle Gear | PX4127-01 |
| 4 | Palm Side Spool Shaft Bearing | JX106-01 |
| 5 | Spool Assembly | QX321-01 |
| 6 | Clip Ring | EX080-01 |
| 7 | Gear Side Spool Shaft Bearing | EX017-02 |
| 8 | Gear Side Cover Screw -A | QW123-01 |
| 9 | Frame | PX001-02 |
| 10 | Kick Lever Spring | GX097-01 |
| 11 | Kick Lever | GX077-01 |
| 12 | Release Slider Spring | GX104-01 |
| 13 | Release Slider | GX039-01 |
| 14 | Push Button Spring | GX089-01 |
| 15 | Push Button | GX062-01 |
| 16 | Pinion Yoke | GX025-01 |
| 17 | Yoke Spring | GX040-01 |
| 18 | Gear Kit includes: 18A - Pinion Gear Assembly 18B - Drive Gear | MX4011-01 |
| 19 | Stabilizer Bar - "B" | QX061-01 |
| 20 | E-Clip | NX090-01 |
| 21 | O/S Pinion Gear | HV085-01 |
| 22 | Worm Shaft Washer | EX035-01 |
| 23 | Palm Side Worm Shaft Bushing | PX068-01 |
| 24 | Worm Shaft Kit Includes: 24A - Worm Shaft 24B - Line Guide Pawl 24C - Carrier Washer | PX4072-02 |
| 25 | Worm Shaft Guide | PX016-01 |

| Key # | Description | Part No. |
|-------|--|-----------|
| 26 | Line Guide Carrier | GX047-02 |
| 27 | Line Guide Carrier Screw | ZW007-02 |
| 28 | Worm Shaft Bearing Retainer | HX067-01 |
| 29 | E-Clip | NX092-01 |
| 30 | Palm Side Cover Locking Lever | GX119-01 |
| 31 | Palm Side Cover Locking Spring | ZW096-01 |
| 32 | Stabilizer Bar - "A" | PX061-01 |
| 33 | Front Support | PX099-02 |
| 34 | Crank Shaft Bearing - Lower | SW017-01 |
| 35 | E-Clip | QW120-01 |
| 36 | Crank Shaft Retainer | GX002-01 |
| 37 | Crank Shaft Retainer Screw | JX107-01 |
| 38 | Crank Shaft | MX008-01 |
| 39 | Trip Ratchet | EX083-01 |
| 40 | Drag Disc Kit includes: 40A - Drag Disc 40B - Trip Ratchet Washer | HV4059-01 |
| 41 | Drag Key Washer | MX045-01 |
| 42 | One Way Bearing Sleeve | HV052-01 |
| 43 | Gear Side Cover Assembly | GX324-04 |
| 44 | Oil Port Cap Kit includes: 44A - Oil Port Cap 44B - Oil Port Cap Screw | GX4150-02 |
| 45 | Drag Click Spring Assembly | GX4114 |
| 46 | Spring "D" Washer | JX046-01 |
| 47 | Star Drag Washer | ZW032-02 |
| 48 | Gear Side Cover Screw - B | GX107-01 |
| 49 | Tension Knob O-Ring | QW101-01 |
| 50 | Tension Knob Bearing | SW117-01 |
| 51 | Tension Knob Kit includes: 51A - Spool Tension Knob Assembly 52 - Spool Tension Washer Kit | CX4033-02 |
| 52 | Spool Tension Washer Kit Includes: 52A - Spool Tension Washer 52B - Spool Tension Collar 52C - Spool Cushion Washer | QW4032-01 |
| 53 | Star Drag Assembly | MX355-01 |
| 54 | Handle Kit includes: 54A - Handle Assembly 54B - Handle Washer 55 - Handle Nut Kit | PX4018-01 |
| 55 | Handle Nut Kit includes: 55A - Handle Nut 55B - Handle Nut Retainer 55C - Handle Nut Retainer Screw | MX4003-01 |
| 56 | Worm Shaft Ball Bearing | XX117-01 |
| 57 | Drag Link | GX036-01 |