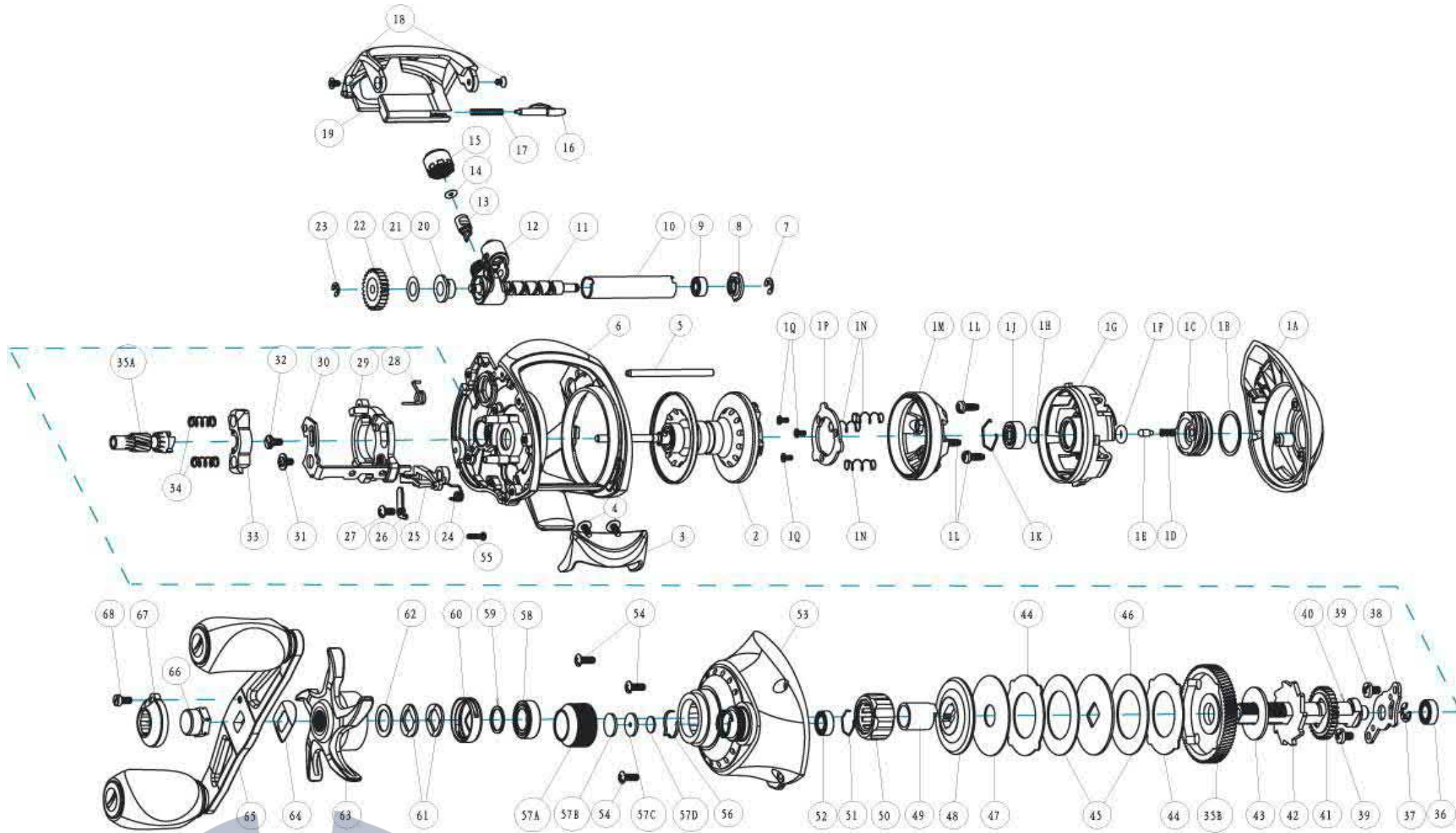


QUANTUM

IC101HPT



Quantum ICON - IC101HPT Part List

Key No.	Description	Part No. IC101HPT	Qty	Key No.	Description	Part No. IC101HPT	Qty
1	Palm Side Cover sub ass'y	WA423-01	1	31	Release Slider Screw	CX076-03	1
	1A - Palm Side Cover	WA023-01	1	32	Release Slider Link Screw	EW125-02	1
	1B - Centrifugal Dial Washer	SB111-01	1	33	Pinion Yoke	TB025-01	1
	1C - Centrifugal Dial	TB026-01	1	34	Yoke Spring	GX040-01	2
	1D - Centrifugal Dial Click Spring	YW114-01	1	35	Gear Kit Include		
	1E - Centrifugal Dial Click Pawl	PW098-01	1		35A-Pinion Gear	VA011-02	1
	1F - Centrifugal Dial Frection Ring	SB105-01	1		35B-Drive Gear	VA012-02	1
	1G - Spool Cover	TB026-01	1	36	Crank Shaft Ball Bearing - L	SW017-01	1
	1H - Spool Tension Shim	QW032-04	1	37	E-Clip	QW120-01	1
	1J - Ball Bearing - Spool Shaft (Palm)	QV017-01	1	38	Crank Shaft Retainer	VA002-01	1
	1K - Clip Ring	HV080-01	1	39	Crank Shaft Retainer Screw	JX107-02	2
	1L - Spool Cover Screw	WW107-01	3	40	Crank Shaft	YW008-06	1
	1M - Brake Ring Assembly	WA342-01	1	41	O/S Drive Gear	DW112-01	1
	1N - Spring - Brake Ring Slider	DW070-01	3	42	Trip Ratchet	PW083-02	1
	1P - Retainer - Brake Ring Slider Spring	DW129-01	1	43	Trip Ratchet Washer	YW111-01	1
	1Q - Retainer Screw	DW107-01	3	44	Drag Key Washer	PW048-01	2
2	Spool Assembly	VA321-01	1	45	Drag Disc - A	PW059-02	2
3	Thumb Bar	VA009-01	1	46	Drag "D" Washer	YW045-01	1
4	Thumb Bar Screw	CW125-01	2	47	Drag Disc - B	YW059-01	1
5	Stabilizer Bar	VA0601-01	1	48	Drag Washer	VA045-01	1
6	Frame	WA001-01	1	49	One Way Clutch Sleeve	UX052-01	1
7	E-Clip	NX092-01	1	50	One Way Clutch	VA063-01	1
8	Bearing Retainer	DW067-01	1	51	Spool Tension Knob Ball Bearing Retainer	EB080-01	1
9	Worm Shaft Ball Bearing	XX117-01	1	52	Tension Knob Ball Bearing	SW017-01	1
10	Worm Shaft Guide	DW016-01	1	53	Gear Side Cover	WA024-01	1
11	Worm Shaft	HV072-01	1	54	Gear Side Cover Screw-A	VA053-01	3
12	Line Guide Carrier	VA047-01	1	55	Gear Side Cover Screw-B	VA057-01	1
13	Line Guide Pawl	CX006-01	1	56	Tension Knob Click Spring	PW114-01	1
14	Line Guide Carrier Washer	BV035-01	1	57	Tension Knob Kit Include		
15	Line Guide Carrier Screw	ZW007-01	1		57A-Spool Tension Knob	VA033-01	1
16	Side Covr Locking Lever	WA119-01	1		57B-Spool Cushion Washer	VA082-01	1
17	Spring - Locking Lever	ZW096-01	1		57C-Collar - Spool Tension	VA081-01A	1
18	Screw	CF107-02	2		57D-Washer - Spool Tension	QW032-04	1
19	Front Support	VA099-01	1	58	Crank Shaft Ball Bearing	TW058-03	1
20	Worm Shaft Bushing - Gear Side	PW068-01	1	59	Crank Shaft Ball Bearing Washer	TW035-02	1
21	O/S Pinion Gear Washer	EX035-01	1	60	Drag Click Spring Assembly	YX4114-01	1
22	O/S Pinion Gear	DW085-01	1	61	Spring "D" Washer	JX046-01	2
23	E-Clip	NX090-01	1	62	Star Drag Washer	ZW032-01	1
24	Kick Lever Spring	WA097-01	1	63	Star Drag	WA055-01	1
25	Kick Lever	YW077-01	1	64	Handle Washer	NX054-01	1
26	Kick Lever Guide Plate	VA161-01	1	65	Handle Assembly	VA318-04	1
27	Kick Lever Guide Plate Screw	JX107-02	1	66	Handle Nut	DW003-08	1
28	Release Slider Spring	WA104-01	1	67	Handle Nut Cap	DW034-02	1
29	Release Slider	WA039-01	1	68	Handle Nut Cap Screw	DW050-02	1
30	Release Slider Link	LB036-01	1				