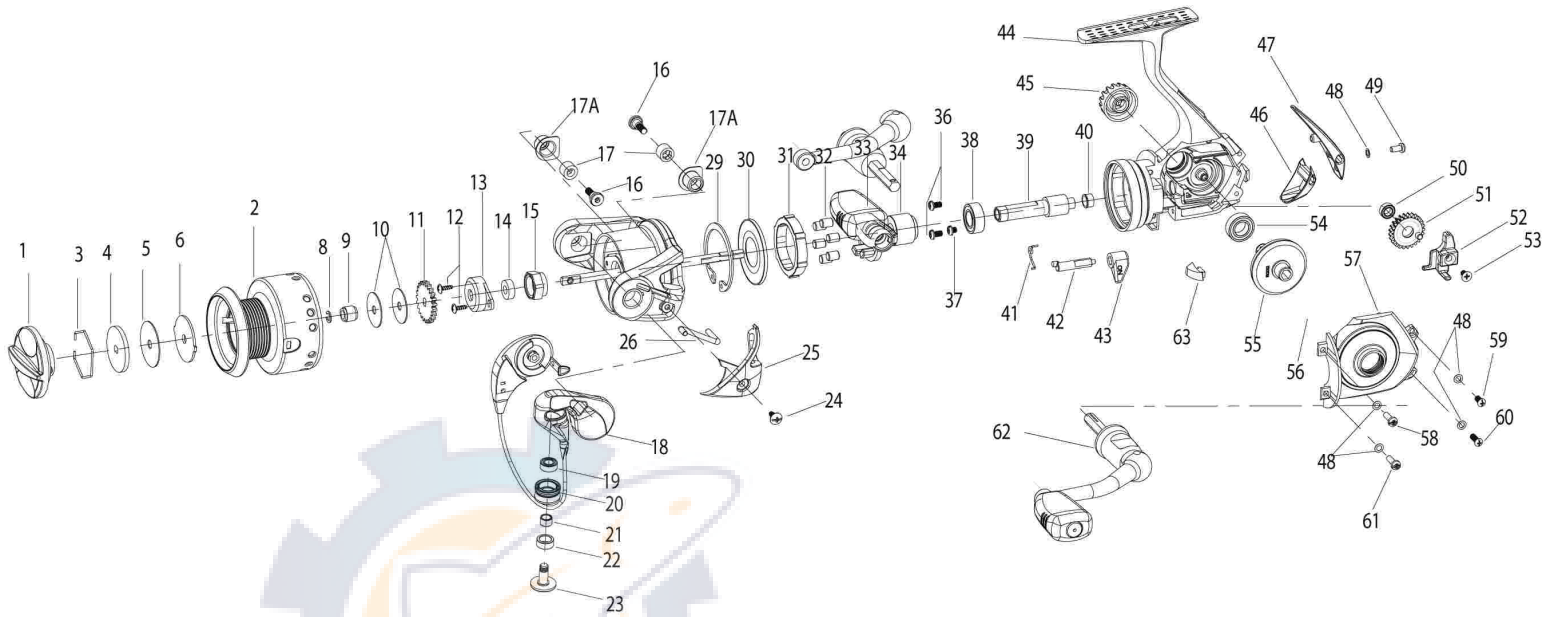


Kinetic PTi-A Parts Diagram - KT10PTi-A / KT20PTi-A



| KEY # | DESCRIPTION | Kinetic 10 | Kinetic 20 |
|-------|-----------------------|------------|------------|
| 1 | Drag Knob Assembly | RK332-01 | SK332-01 |
| 2 | Spool | RK021-01 | SK021-01 |
| 3 | Drag Retainer | RQ038-01 | RQ038-01 |
| 4 | Drag Washer "D" | SQ080-01 | SQ080-01 |
| 5 | Drag Washer "B" | RQ033-01 | RQ033-01 |
| 6 | Drag Washer "A" | RQ081-01 | RQ081-01 |
| 7 | Drag Washer "C" | N/A | N/A |
| 8 | Retainer Clip | TK034-01 | TK034-01 |
| 9 | Spool Sleeve | RK121-01 | SK121-01 |
| 10 | Spool Adjust Washer | RK030-01 | RK030-01 |
| 11 | Click Gear | RQ037-01 | RQ037-01 |
| 12 | Rotor Nut Lock Screw | RQ094-01 | RQ094-01 |
| 13 | Rotor Nut Cover | RK214-01 | SK214-01 |
| 14 | Main Shaft Bushing | SK213-01 | SK213-01 |
| 15 | Rotor Nut | SK006-01 | SK006-01 |
| 16 | Bail Pivot Screw | TK111-01 | TK111-01 |
| 17 | Bail Pivot Bushing | TK109-01 | TK109-01 |
| 17A | Bail Pivot Insert | TK112-01 | TK112-01 |
| 18 | Bail Assembly | RK347-01 | RK347-01 |
| 19 | Line Roller Bearing | GH202-01 | GH202-01 |
| 20 | Line Roller | RK004-01 | TK004-01 |
| 22 | Line Roller Bushing | TK104-01 | TK104-01 |
| 23 | Line Roller Screw | RK108-01 | TK108-01 |
| 24 | Arm Lever Cover Screw | GU077-01 | GU077-01 |
| 25 | Arm Lever Cover | RK108-01 | TK108-01 |
| 26 | Kick Lever | RK019-01 | SK019-01 |
| 27 | Rotor Sub-Assembly | RK209-02 | SK209-02 |
| 28 | Main Shaft | PQ015-01 | PQ015-01 |
| 29 | Clutch Retaining Ring | RK060-01 | TK060-01 |
| 30 | Clutch Seal Plate | RK166-01 | TK166-01 |
| 31 | Clutch Lock Ring | RK063-01 | TK063-01 |

| KEY # | DESCRIPTION | Kinetic 10 | Kinetic 20 |
|-------|--------------------------|------------|------------|
| 32 | Clutch Roller | RK165-01 | TK165-01 |
| 33 | Clutch Roller Retainer | RK040-01 | TK040-01 |
| 34 | Clutch Sleeve | RK139-01 | SK139-01 |
| 35 | Pinion Washer | AT110-01 | AT110-01 |
| 36 | Pinion Bearing Screw "A" | TK057-21 | TK057-01 |
| 37 | Pinion Bearing Screw "B" | N/A | TK057-11 |
| 38 | Pinion Ball Bearing | CH028-01 | BH028-01 |
| 39 | Pinion Gear | PQ011-01 | RQ011-01 |
| 40 | Pinion Bushing | PQ141-01 | RQ141-01 |
| 41 | Stopper Cam Spring | RK089-01 | TK089-01 |
| 42 | Stopper Cam | RK090-01 | TK090-01 |
| 43 | Stopper Lever | RQ059-01 | RQ059-01 |
| 44 | Body Sub-Assembly | RK201-01 | SK201-01 |
| 45 | Handle Cap | TK073-01 | TK073-01 |
| 46 | Body Rear Cover - Top | RK140-01 | SK140-01 |
| 47 | Body Rear Cover - Bottom | RK140-51 | SK140-51 |
| 48 | Body Cover Screw Washer | RQ142-01 | RQ142-01 |
| 49 | Body Rear Cover Screw | RQ057-11 | RQ057-11 |
| 50 | O/S Gear Ball Bearing | EH158-01 | EH158-01 |
| 51 | O/S Gear | PQ053-51 | RQ053-51 |
| 52 | Oscillation Slider | PQ025-01 | RQ025-01 |
| 53 | Main Shaft Screw | RQ100-01 | RQ100-01 |
| 54 | Body Ball Bearing | CH027-01 | CH028-01 |
| 55 | Drive Gear Assembly | PQ012-01 | RQ012-01 |
| 56 | Body Cover Ball Bearing | CH028-01 | CH028-01 |
| 57 | Body Cover Assembly | RK123-01 | SK123-01 |
| 58 | Body Cover Screw "A" | RQ057-04 | RQ057-04 |
| 59 | Body Cover Screw "B" | N/A | SK057-11 |
| 60 | Body Cover Screw "C" | SK057-01 | SK057-01 |
| 61 | Body Cover Screw "D" | RQ057-11 | RQ057-04 |
| 62 | Handle Assembly | RK318-01 | SK318-01 |
| 63 | Trip Ramp | RK119-01 | SK119-01 |