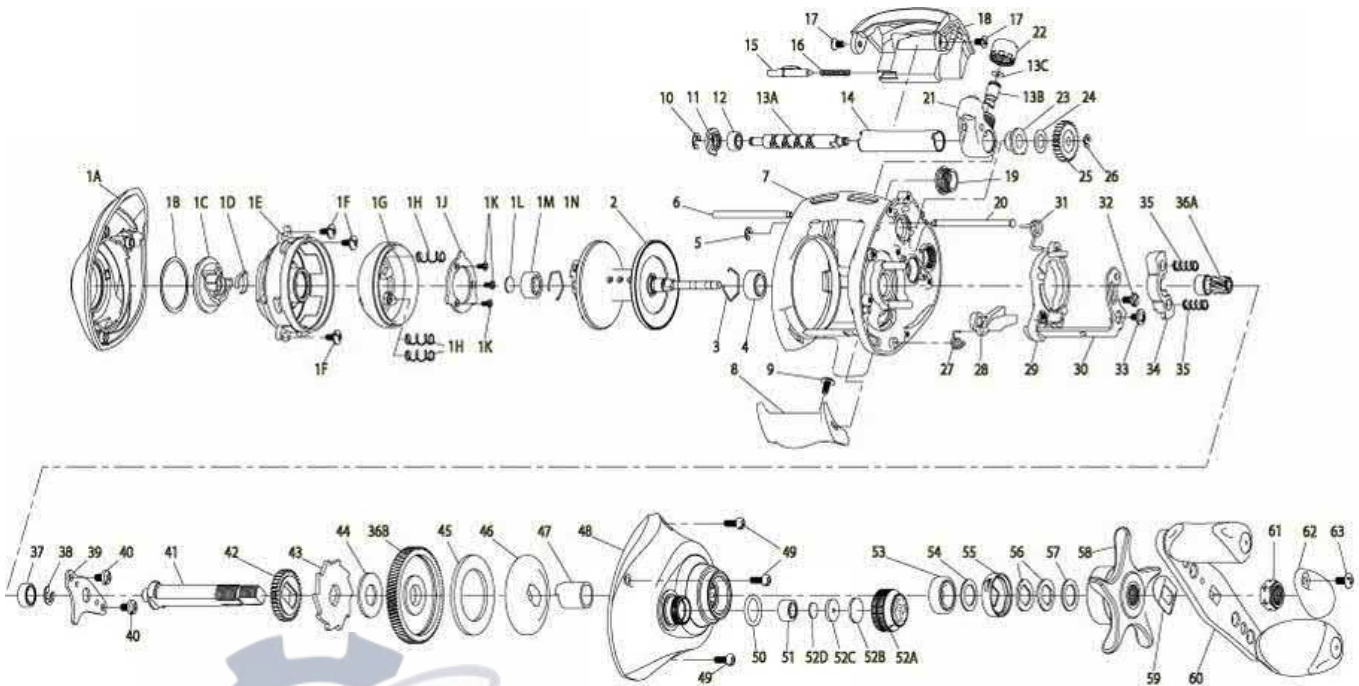


# QUANTUM

## KT100HPT



**Quantum KT100HPT Bait Cast Reel Part List**

Key #	Description	Part No.	Key #	Description	Part No.
1	Palm Side Cover Kit includes	DW4023-03	28	Kick Lever	DW077-01
	1A - Palm Side Cover Assembly	N/A	29	Release Slider	DW039-01
	1B - Centrifugal Dial Washer	N/A	30	Release Slider Link	DW036-01
	1C - Centrifugal Dial Assembly	N/A	31	Release Slider Spring	DW104-01
	1D - Centrifugal Dial Spring	N/A	32	Release Slider Link Screw	EW125-01
	1E - Spool Cover	N/A	33	Release Slider Screw	CX076-03
	1F - Spool Cover Screw	N/A	34	Pinion Yoke	DW025-01
	1G - Brake Ring Assembly	N/A	35	Yoke Spring	GX040-01
	1H - Brake Ring Slider Spring	N/A	36	Gear Kit Includes	VX4011-01
	1J - Brake Ring Slider Spring Retainer	N/A		36A - Pinion Gear Assembly	N/A
	1K - Brake Ring Spring Retainer Screw	N/A		36B - Drive Gear	N/A
	1L - Spool Tension Shim	QW032-04	37	Crank Shaft Ball Bearing - L	SW017-01
	1M - Spool Shaft Ball Bearing - Palm	QV017-01	38	E-Clip	QW120-01
	1N - Clip Ring	HV080-01	39	Crank Shaft Retainer	DW002-01
2	Spool Assembly	EW321-05	40	Crank Shaft Retainer Screw	JX107-02
3	Clip Ring	EX080-01	41	Crank Shaft	DW008-03
4	Spool Shaft Ball Bearing - Gear	EX017-02	42	O/S Drive Gear	DW112-01
5	E-Clip	NX090-01	43	Trip Ratchet	DW083-02
6	Stabilizer Bar - A	DW061-02	44	Trip Ratchet Washer	QW111-01
7	Frame	N/A	45	Drag Disc	UX059-01
8	Thumb Bar	DW009-01	46	Drag Washer	DW045-01
9	Thumb Bar Screw	CW125-01	47	One Way Clutch Sleeve	UX052-01
10	E-Clip	NX092-01	48	Gear Side Cover Assembly	DW324-12
11	Bearing Retainer	DW067-01	49	Gear Side Cover Screw	BV123-03
12	Worm Shaft Ball Bearing	XX117-01	50	Tension Knob O-Ring	QW101-01
13	Worm Shaft Kit includes	HV4072-01	51	Tension Knob Ball Bearing	SW117-01
	13A - Worm Shaft	N/A	52	Spool Tension Knob Kit Include	DW4033-06
	13B - Line Guide Pawl	N/A		52A - Spool Tension Knob Assembly	N/A
	13C - Line Guide Carrier Washer	N/A		52B - Spool Cushion Washer	N/A
				52C - Spool Tension Collar	N/A
				52D - Spool Tension Washer	N/A
14	Worm Shaft Guide	DW016-02			
15	Side Cover Locking Lever	YX119-02	53	Crank Shaft Ball Bearing	TW058-01
16	Side Cover Locking Lever Spring	ZW096-01	54	Crank Shaft Ball Bearing Washer	ZW032-01
17	Hood Screw	HX107-02	55	Drag Click Spring Assembly	YX4114-01
18	Hood	DW027-03	56	Drag "D" Washer	JX046-01
19	Oil Cap Screw	DW150-04	57	Star Drag Washer	ZW032-01
20	Stabilizer Bar - B	WP061-02	58	Star Drag Assembly	YX355-11
21	Line Guide Carrier	DW047-03	59	Handle Washer	NX054-01
22	Line Guide Carrier Screw	ZW007-02	60	Handle Assembly	AB318-01
23	Worm Shaft Bushing - Gear Side	DW068-01	61	Handle Nut	QW003-01
24	O/S Pinion Gear Washer	EX035-01	62	Handle Nut Cap	JX034-04
25	O/S Pinion Gear	DW085-01	63	Handle Nut Cap Screw	QW123-01
26	E-Clip	NX090-01			
27	Kick Lever Spring	GX097-01			