

# QUANTUM ST2F / ST3F / ST4F

## SPECIFICATIONS :

### Application:

- ST2F - Lt. FW
- ST3F - Med. FW
- ST4F - Hvy FW

### 5.2:1 Gear Ratio

### Line Capacity:

- ST2F - 140 yds / 6 lb
- ST3F - 160 yds / 8 lb
- ST4F - 180 yds / 10 lb

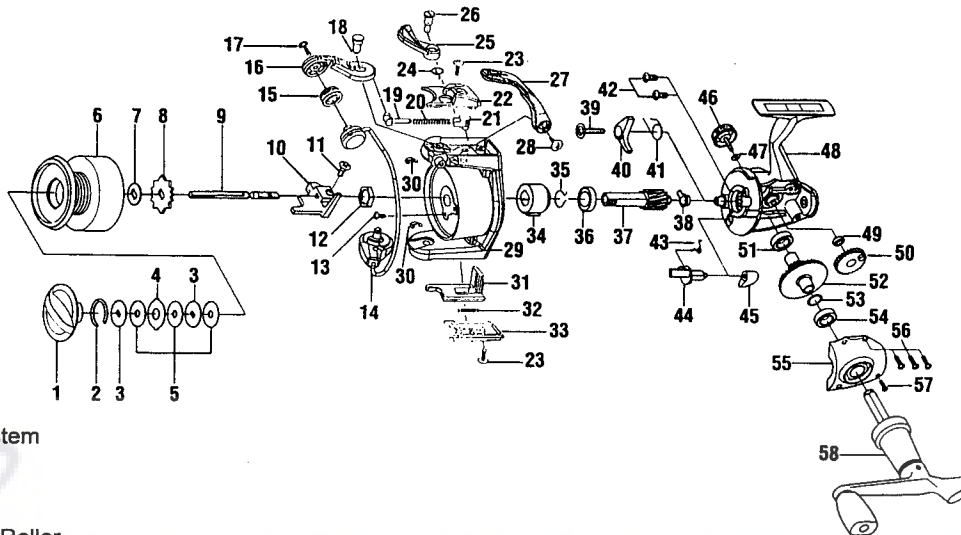
### Retrieve Rate (Inches Per Turn):

- ST2F - 24.5"
- ST3F - 30.2"
- ST4F - 34.1"

### Weight:

- ST2F - 9.9 oz.
- ST3F - 12.4 oz.
- ST4F - 13.8 oz.

### 5 Ball Bearings



## FEATURES :

Snapshot II (Firing Pin) Casting System

Front Drag

Tru-Balanced Rotor

Balanced Handle

Oversized Twist Reducer B.B. Line Roller

Selective On/Off (1 Stop-Self Center) AVR

Geared (S-Curve) O/S System

Aluminum Spool (w/ Holes in Skirt)

Spare Graphite Spool

Color:

# ReelSchematic

Key No.	ST2F	Part No. ST3F	ST4F	Description	Price	Key No.	ST2F	Part No. ST3F	ST4F	Description	Price
1	XH332-01	←	←	Drag Knob Assy.		30	GH034-01	←	←	E-Clip	
2	RH038-01	XH038-01	←	Spool Retainer		31	SH019-01	TH019-01	UH019-01	Kick Lever	
3	RH080-01	XH080-01	←	Drag Washer "D"		32	KQ049-01	←	←	Kick Lever Spring	
4	RH081-01	XH081-01	←	Drag Washer "A"		33	SH024-02	TH024-03	←	Kick Lever Cover	
5	RH033-01	XH033-01	←	Drag Washer "B"	12.97	34	SH060-01	TH060-01	←	Ratchet	
6	WH321-01	XH321-01	YH321-01	Spool Assy.		35	SH119-01	TH119-01	←	Slider Spring "A"	
7	XH030-01	←	←	Spool Adj. Washer		36	RH028-01	AQ028-03	←	Pinion Ball Bearing	
8	XH037-01	←	←	Click Gear		37	SH011-01	TH011-01	←	Pinion Gear	
9	WH015-01	XH015-01	YH015-01	Main Shaft		38	WH141-01	TH141-01	←	Pinion Bushing	
10	WH025-01	XH025-01	←	Oscillator Slider		39	SH077-01	TH077-01	←	Stopper Screw	
11	XH100-01	←	←	Main Shaft Screw		40	SH063-01	TH063-01	←	Stopper	
12	GU006-01	RU006-01	←	Rotor Nut		41	TH061-01	←	←	Stopper Spring	
13	GU077-08	←	←	Rotor Nut Lck. Scrw.		42	TH041-01	←	←	Bearing Screw	
14	SH347-04	TH347-05	YH347-04	Bail Assy.		43	TH089-01	←	←	Stopper Cam Spring	
15	BH004-14	←	←	Line Roller B.B.		44	TH090-01	←	←	Stopper Cam	
16	TH007-03	←	←	Arm Lever		45	TH059-01	←	←	Stopper Lever	
17	AQ108-01	←	←	Bail Screw		46	TH073-01	←	←	Handle Cap Screw	
18	TH051-01	←	←	Arm Lever pin		47	TH105-01	←	←	Handle Cap Washer	
19	KQ031-01	←	←	Bail Spring Shaft		48	WH301-01	XH301-01	XH301-03	Body Assy.	
20	KQ049-05	←	←	Bail Spring		49	TH158-01	←	←	O/S Gear B.B.	
21	QL020-01	←	←	Bail Spring Holder		50	SH053-01	TH053-01	←	Oscillator Gear	
22	SH087-02	TH087-03	←	Bail Spring Cover		51	BH027-01	AQ028-03	←	Body Ball Bearing	
23	GU077-03	←	←	Cover Screw		52	SH012-01	TH012-01	←	Drive Gear	
24	NL096-01	←	←	Trigger Spring		53	GU105-08	GU105-13	←	Drive Gear Adj. Wshr.	
25	TH398-01	←	←	Trigger Link Assy.		54	BH027-01	AQ028-03	←	Body Cvr. B.B.	
26	TH113-01	←	←	Trigger Link Screw		55	SH023-06	TH023-07	TH023-14	Body Cover	
27	TH112-01	←	←	Trigger		56	JU057-03	←	←	Body Cover Screw	
28	GU077-05	←	←	Trigger Screw		57	GU057-02	←	←	Body Cover Screw	
29	SH009-04	TH009-05	UH009-04	Rotor		58	RH318-02	TH318-02	←	Handle Assy.	

<b>MODEL</b>	<b>EFFECTIVE DATE OF</b>	
<b>INTRODUCED :</b> 1998	<b>PARTS LIST/DIAGRAM:</b> Sept. '98	<b>DISCONTINUED :</b> N/A

Prices subject to change without notice.  
PLEASE ORDER BY PART NUMBER

Zebco, P.O. Box 270, Tulsa, Ok. 74101; 918-831-6965 Phone or 800-FIXREEL (349-7335) FAX  
Prices do not include postage and handling.

