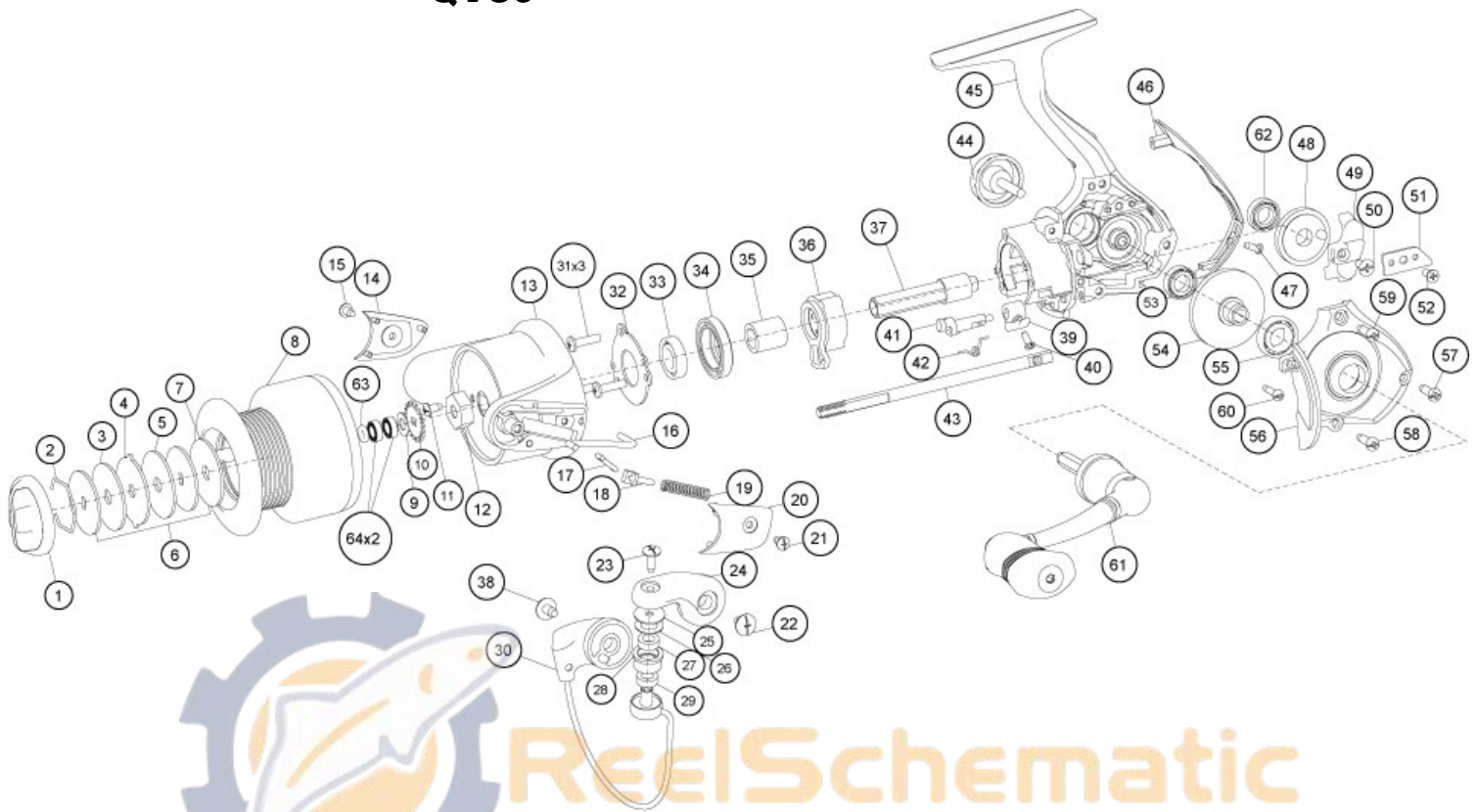


QUANTUM

QV30



Quantum QV30 Spinning Reel Part List

Key #	Description	Part No.	Key #	Description	Part No.
1	Drag Knob Assembly	VG332-02	33	Pinion Ball Bearing	NO028-01
2	Retainer Ring	UG038-01	34	Ball Bearing Adapter	TG190-01
3	Drag Friction Washer	UG030-01	35	Clutch Sleeve	TG139-01
4	Drag Keyed Washer	UG081-01	36	Clutch Assembly	TG063-01
5	Drag Friction Washer	UG030-01	37	Pinion	VG011-01
6	Drag "D" Washer	UG080-01	38	Bail Holder Screw	TG164-02
7	Drag Friction Washer	UG030-01	39	Anti-Reverse Switch	UG059-02
8	Spool Assembly	VG321-02	40	Anti-Reverse Switch Screw	TG135-02
9	Spool Friction Washer	TG039-01	41	Anti-Reverse Cam	UG090-01
10	Click Gear	TG037-01	42	Anti-Reverse Cam Spring	TG089-01
11	Rotor Nut Retainer Screw	TG094-01	43	Main Shaft	VG015-01
12	Rotor Nut	TG006-01	44	Handle Screw Cap Assembly	TG249-02
13	Rotor	N/A	45	Body Assembly	N/A
14	Bail Holder Cover	N/A	46	Rear Cap	VG250-02
15	Bail Holder Cover Screw	TG085-01	47	Rear Cap Screw	TG168-02
16	Kick Lever	VG019-02	48	O/S Gear	VG053-01
17	Bail Trip Lever Shaft	TG115-01	49	O/S Slider	VG025-01
18	Bail Trip Lever	TG116-01	50	Main Shaft Screw	TG100-01
19	Bail Spring	TG117-01	51	O/S Slider Guide	VG078-01
20	Arm Lever Cover	N/A	52	O/S Slider Guide Screw	TG094-01
21	Arm Lever Cover Screw	N/A	53	Drive Gear Ball Bearing	CH027-01
22	Arm Lever Screw	TG164-02	54	Drive Gear	VG012-01
23	Line Roller Screw	TG108-02	55	Side Cover Ball Bearing	NO028-01
24	Arm Lever	VG007-02	56	Side Cover Assembly	N/A
25	Line Roller Collar	VG104-01	57	Side Cover Screw "A"	UG085-02
26	Line Roller Washer	TG102-01	58	Side Cover Screw "B"	TG057-02
27	Line Roller Bearing	EH158-01	59	Side Cover Screw "C"	TG057-02
28	Line Roller	VG004-01	60	Side Cover Screw "D"	UG057-02
29	Line Roller Bearing	EH158-01	61	Handle Assembly	UG318-02
30	Bail Assembly	VG347-02	62	O/S Gear Bearing	TG158-01
31	Retainer Plate Screw	UG057-01	63	Spool Bearing Retainer	TG105-01
32	Retainer Plate	TG060-01	64	Spool Bearing	EH158-01