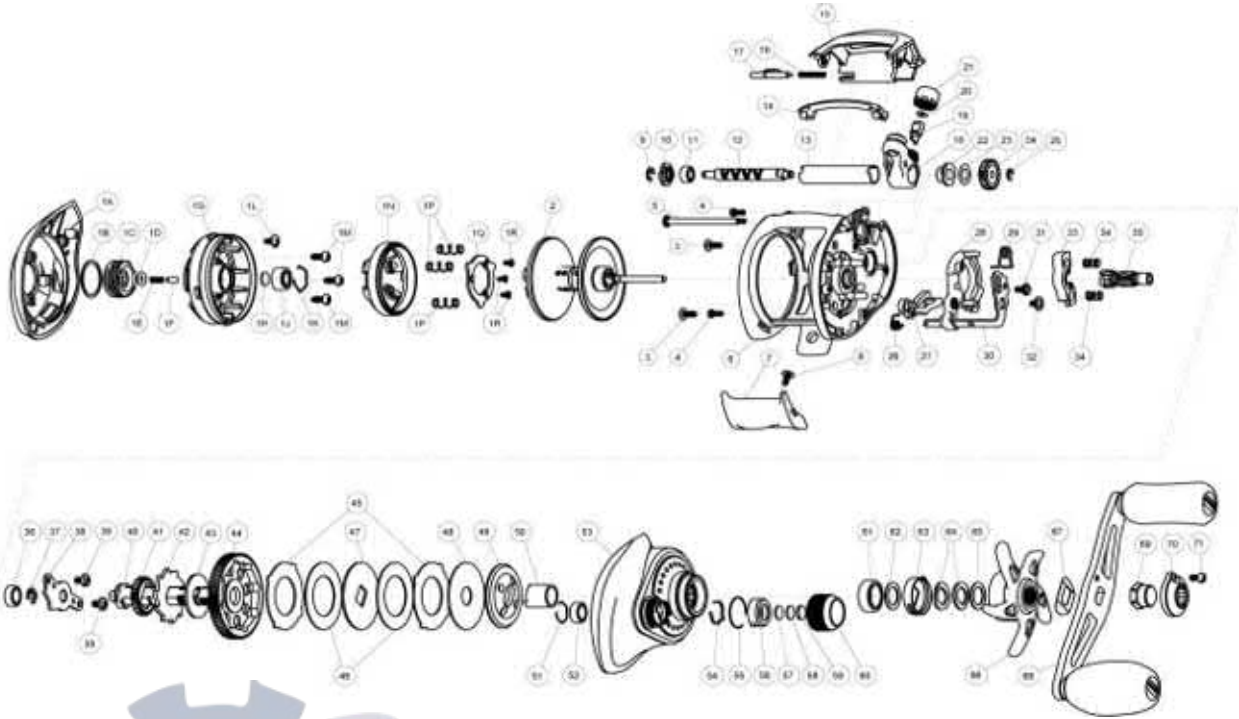


QUANTUM

Smoke SHD200PPT



| Smoke SHD200PPT Baitcast Reel Part List | | | | | | | |
|---|--|------|-----------|-------|-------------------------------------|------|-----------|
| g Key # | Description | Qty. | Part No. | Key # | Description | Qty. | Part No. |
| 1 | Palm Side Cover Kit include | 1 | XW4023-11 | 29 | Release Slider Spring | 1 | YV104-01 |
| | 1A - Palm Side Cover | 1 | XW023-01 | 30 | Release Slider Link | 1 | PW036-01 |
| | 1B - Centrifugal Dial Washer | 1 | SB111-01 | 31 | Release Slider Link Screw | 1 | EW125-01 |
| | 1C - Centrifugal Dial | 1 | SB026-01 | 32 | Release Slider Screw | 1 | CX076-03 |
| | 1D - Centrifugal Dial Friction Ring | 1 | SB105-01 | 33 | Pinion Yoke | 1 | PW025-01 |
| | 1E - Centrifugal Dial Click Spring | 1 | YW114-01 | 34 | Yoke Spring | 2 | GX040-01 |
| | 1F - Centrifugal Dial Click Pawl | 1 | PW098-01 | 35 | Pinion Gear | 1 | EV011-01 |
| | 1G - Spool Cover | 1 | XW051-01 | 36 | Crank Shaft Ball Bearing - L | 1 | SW017-01 |
| | 1H - Spool Tension Shim | 1 | QW032-04 | 37 | E-Clip | 1 | QW120-01 |
| | 1J - Spool Shaft Ball Bearing - Palm | 1 | QV017-01 | 38 | Crank Shaft Retainer | 1 | PW002-01 |
| | 1K - Clip Ring | 1 | HV080-01 | 39 | Crank Shaft Retainer Screw | 2 | JX107-02 |
| | 1L - Spool Cover Screw "B" | 1 | DW125-01 | 40 | Crank Shaft | 1 | YW008-03 |
| | 1M - Spool Cover Screw "A" | 3 | WW107-01 | 41 | O/S Drive Gear | 1 | PW112-01 |
| | 1N - Brake Ring Assembly | 1 | SB342-01 | 42 | Trip Ratchet | 1 | PW083-02 |
| | 1P - Brake Ring Slider Spring | 3 | DW070-01 | 43 | Trip Ratchet Washer | 1 | YW111-01 |
| | 1Q - Brake Ring Slider Spring Retainer | 1 | DW129-01 | 44 | Drive Gear | 1 | GW012-01 |
| | 1R - Screw | 3 | DW107-01 | 45 | Drag Key Washer | 2 | PW048-01 |
| 2 | Spool Assembly | 1 | XW321-01 | 46 | Drag Disc - A | 2 | PW059-01 |
| 3 | Gear Side Cover Screw - B | 2 | QW057-03 | 47 | Drag "D" Washer | 1 | YW045-01 |
| 4 | Gear Side Cover Screw - A | 2 | LF057-01 | 48 | Drag Disc - B | 1 | YW059-01 |
| 5 | Stabilizer Bar - A | 1 | PW061-02 | 49 | Drag Washer | 1 | PW045-01 |
| 6 | Frame | 1 | PW001-18 | 50 | One Way Clutch Sleeve | 1 | UX052-01 |
| 7 | Thumb Bar | 1 | PW009-01 | 51 | Clip Ring | 1 | EB080-01 |
| 8 | Thumb Bar Screw | 1 | CW125-01 | 52 | Tension Knob Ball Bearing | 1 | SW017-01 |
| 9 | E-Clip | 1 | NX092-01 | 53 | Gear Side Cover Assembly | 1 | PW324-26 |
| 10 | Bearing Retainer | 1 | PW067-01 | 54 | Tension Knob Click Spring | 1 | PW114-01 |
| 11 | Worm Shaft Ball Bearing | 1 | XX117-01 | 55 | Tension Knob Click Ratchet Retainer | 1 | YW080-01 |
| 12 | Worm Shaft | 1 | HV072-02 | 56 | Tension Knob Click Ratchet | 1 | PW113-01 |
| 13 | Worm Shaft Guide | 1 | SB016-01 | 57 | Spool Tension Washer | 1 | QW032-04 |
| 14 | Top Support | 1 | PW094-07 | 58 | Spool Tension Support Washer | 1 | PW032-01 |
| 15 | Front Support | 1 | DW099-01 | 59 | Spool Cushion Washer | 1 | EX082-02 |
| 16 | Side Cover Locking Lever Spring | 1 | ZW096-01 | 60 | Spool Tension Knob | 1 | PW033-10 |
| 17 | Side Cover Locking Lever | 1 | YX119-02 | 61 | Crank Shaft Ball Bearing | 1 | TW058-01 |
| 18 | Line Guide Carrier Assembly | 1 | PW347-02 | 62 | Crank Shaft Ball Bearing Washer | 1 | TW035-02 |
| 19 | Line Guide Pawl | 1 | CX006-01 | 63 | Drag Click Spring Assembly | 1 | YX4114-01 |
| 20 | Carrier Washer | 1 | BV035-01 | 64 | Spring "D" Washer | 2 | JX046-01 |
| 21 | Line Guide Carrier Screw | 1 | ZW007-01 | 65 | Star Drag Washer | 1 | ZW032-01 |
| 22 | Worm Shaft Bushing - Gear Side | 1 | PW068-01 | 66 | Star Drag | 1 | EW055-02 |
| 23 | O/S Pinion Gear Washer | 1 | EX035-01 | 67 | Handle Washer | 1 | NX054-01 |
| 24 | O/S Pinion Gear | 1 | PW085-01 | 68 | Handle Assembly | 1 | XW318-01 |
| 25 | E-Clip | 1 | NX090-01 | 69 | Handle Nut | 1 | DW003-05 |
| 26 | Kick Lever Spring | 1 | GX097-01 | 70 | Handle Nut Cap | 1 | DW034-02 |
| 27 | Kick Lever | 1 | PW077-01 | 71 | Handle Nut Cap Screw | 1 | DW050-02 |
| 28 | Release Slider | 1 | PW039-01 | | | | |