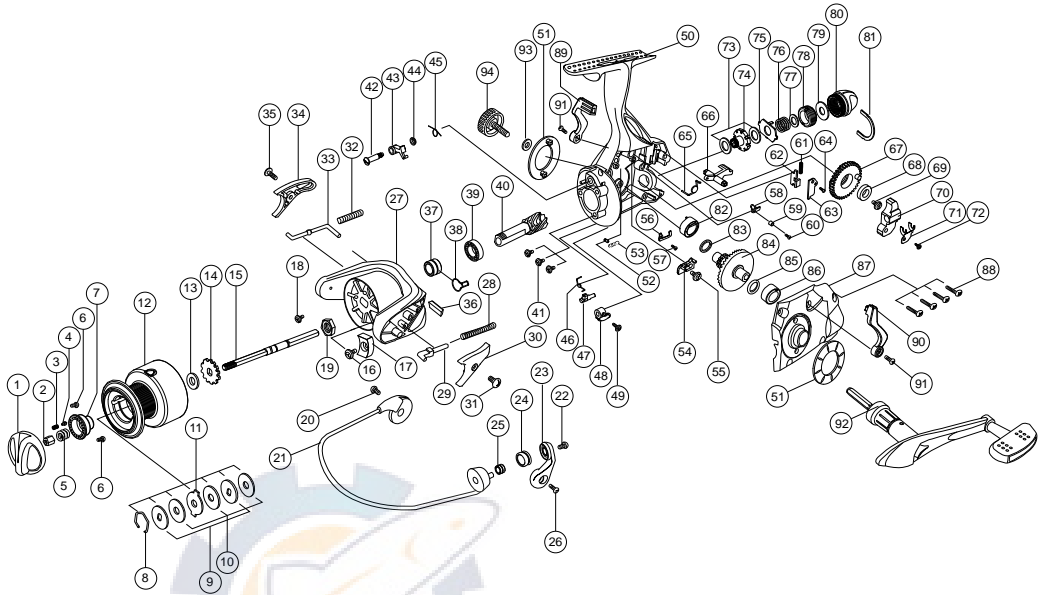


BLAZE

DIAGRAM



PART LIST

No.	Part List	No.	Part List	No.	Part List
1.	Drag Knob	33.	Kick Lever	65.	Yoke Cam s/p
2.	Drag Nut	34.	Kick Lever Cover	66.	Yoke Cam
3.	Drag Click Spring	35.	Kick Lever Cover s/c	67.	O/S Gear
4.	Drag Click Pin	36.	Side Balance	68.	O/S Gear Bush
5.	Drag Coil Spring	37.	Silent s/p Holder	69.	O/S Gear s/c
6.	Drag Under Cap s/c	38.	Silent s/p	70.	O/S Slider
7.	Drag Under Cap	39.	Ball Bearing 8 x 14 x 4	71.	O/S Slider Stopper
8.	Spool Ring	40.	Pinion Gear	72.	O/S Slider Stopper s/c
9.	Spool "D" w/s	41.	Pinion Bearing s/c	73.	Drag "B" w/s
10.	Spool "B" w/s	42.	Stopper s/c	74.	Main Shaft Holder
11.	Spool "A" w/s	43.	Stopper	75.	Drag "A" w/s
12.	Spool Assy	44.	Stopper s/p Holder	76.	Rear Drag Coil s/p
13.	Spool Adj. w/s	45.	Stopper s/p	77.	Rear Drag s/p w/s
14.	Click Gear	46.	Stopper Lever s/p	78.	Rear Drag Slider
15.	Main Shaft	47.	Anti Reverse Cam	79.	Rear Drag Knob w/s
16.	Balance s/c	48.	Stopper Lever	80.	Rear Drag Knob
17.	Center Balance	49.	Stopper Lever s/c	81.	Rear Drag Retainer
18.	Rotor Nut Lock s/c	50.	Body	82.	Body Bushing
19.	Rotor Nut	51.	Body Side Cap	83.	Drive Gear Collar
20.	Bail Holder s/c	52.	Release Cam s/p Holder	84.	Drive Gear
21.	Bail Assy	53.	Release Cam s/p	85.	Drive Gear Adj. w/s
22.	Bail s/c	54.	Release Cam	86.	Body Cover Bushing
23.	Arm Lever	55.	Release Cam s/c	87.	Body Cover Assy
24.	Line Roller	56.	Back Click Claw	88.	Body Cover s/c
25.	Line Roller Bush	57.	Back Click Claw s/c	89.	Bait Lever (R)
26.	Arm Lever s/c	58.	Yoke Reverse Cam	90.	Bait Lever (L)
27.	Rotor	59.	Yoke Reverse Cam Bush	91.	Bait Lever s/c
28.	Bail s/p	60.	Yoke Reverse Cam s/c	92.	Handle Assy
29.	Bail s/p Holder	61.	Clutch s/p	93.	Dust Cover w/s
30.	Bail s/p Cover	62.	Clutch	94.	Dust Cover
31.	Bail s/p Cover s/c	63.	Clutch Cover		
32.	Kick Lever s/p	64.	Clutch Cover s/c		