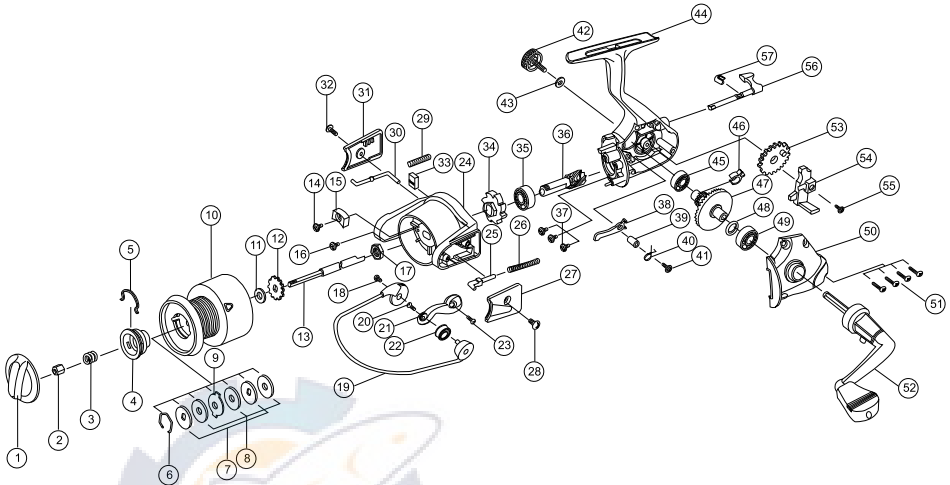


DIAGRAM



PART LIST

No.	Part List	No.	Part List	No.	Part List
1.	Drag Knob	20.	Bail s/c	39.	Stopper Bushing
2.	Drag Nut	21.	Arm Lever	40.	Stopper Spring
3.	Drag Coil Spring	22.	Ball Bearing Line Roller	41.	Stopper s/c
4.	Drag Under Cap	23.	Arm Lever s/c	42.	Dust Cover
5.	Drag Click Claw	24.	Rotor	43.	Dust Cover w/s
6.	Spool Ring	25.	Bail Spring Holder	44.	Body
7.	Spool "D" w/s	26.	Bail Spring	45.	Ball Bearing 8 x 14 x 4
8.	Spool "B" w/s	27.	Bail Spring Cover	46.	Silent Cam
9.	Spool "A" w/s	28.	Bail Spring Cover s/c	47.	Drive Gear
10.	Spool Assy	29.	Kick Lever s/p	48.	Drive Gear Adj. w/s
11.	Spool Adj. w/s	30.	Kick Lever	49.	Ball Bearing 8 x 14 x 4
12.	Click Gear	31.	Kick Lever Cover	50.	Body Cover
13.	Main Shaft	32.	Kick Lever Cover s/c	51.	Body Cover s/c
14.	Balance s/c	33.	Side Balance	52.	Handle Assy
15.	Center Balance	34.	Ratchet	53.	O/S Gear
16.	Rotor Nut Lock s/c	35.	Ball Bearing 8 x 14 x 4	54.	O/S Slider
17.	Rotor Nut	36.	Pinion Gear	55.	Main Shaft s/c
18.	Bail Holder s/c	37.	Pinion Bearing s/c	56.	Stopper Lever
19.	Bail Assy	38.	Stopper	57.	Stopper Lever Spring